

# FLOE 24 VOLT SOLAR PANEL

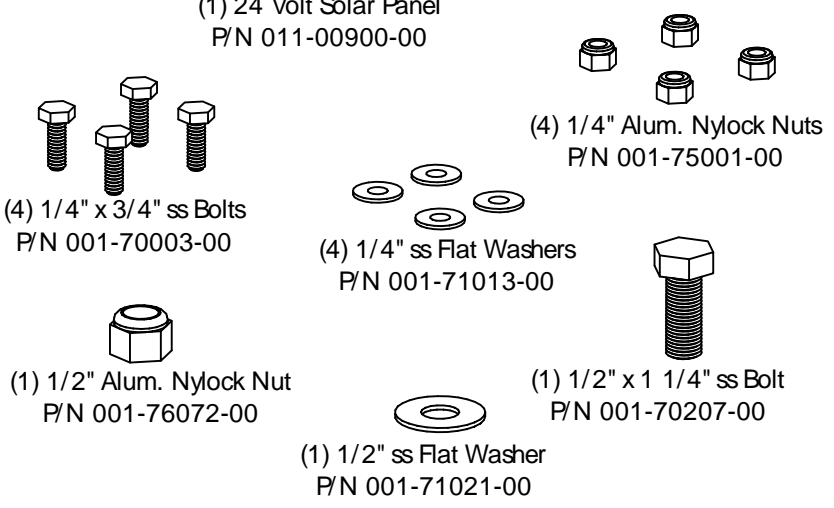
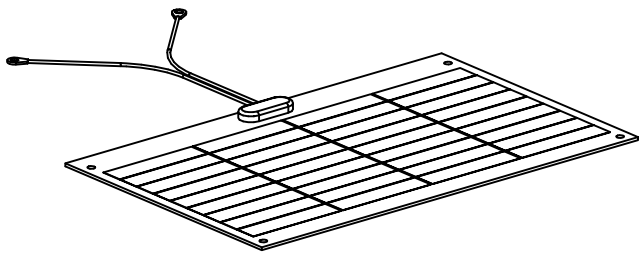
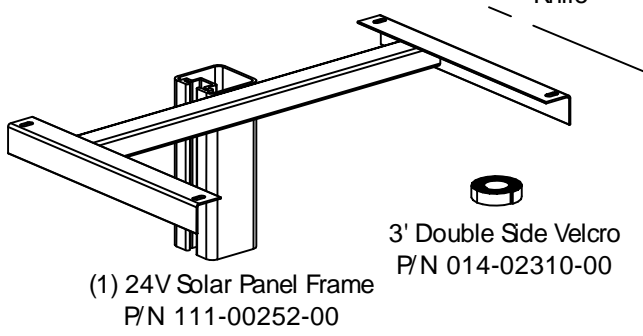
## ASSEMBLY INSTRUCTIONS

### FOR 6000-7500# VSD BOAT LIFTS WITHOUT A CANOPY

P/N 511-01325-00



#### KIT INCLUDES:



#### Tools Required:

- 7/16" Wrenches or sockets
- 3/4" Wrench or socket
- Knife

1. Assemble the solar panel to the solar panel frame using (4) 1/4" x 3/4" bolts, flat washers, and nuts. Tighten lock nuts just enough to snug solar panel to attachment arms. Use caution not to overtighten or crush solar panel. See Fig. 1.

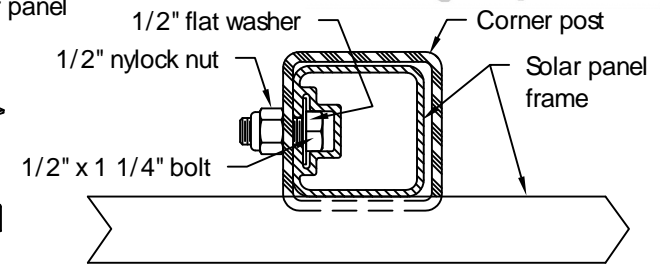
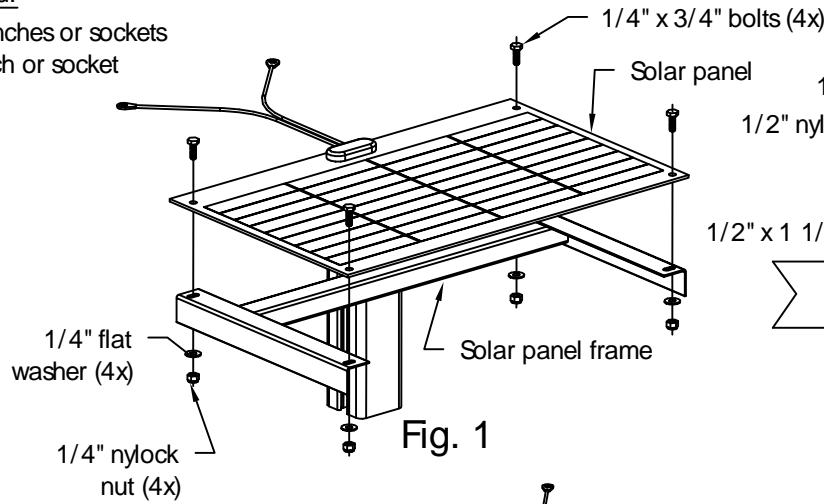
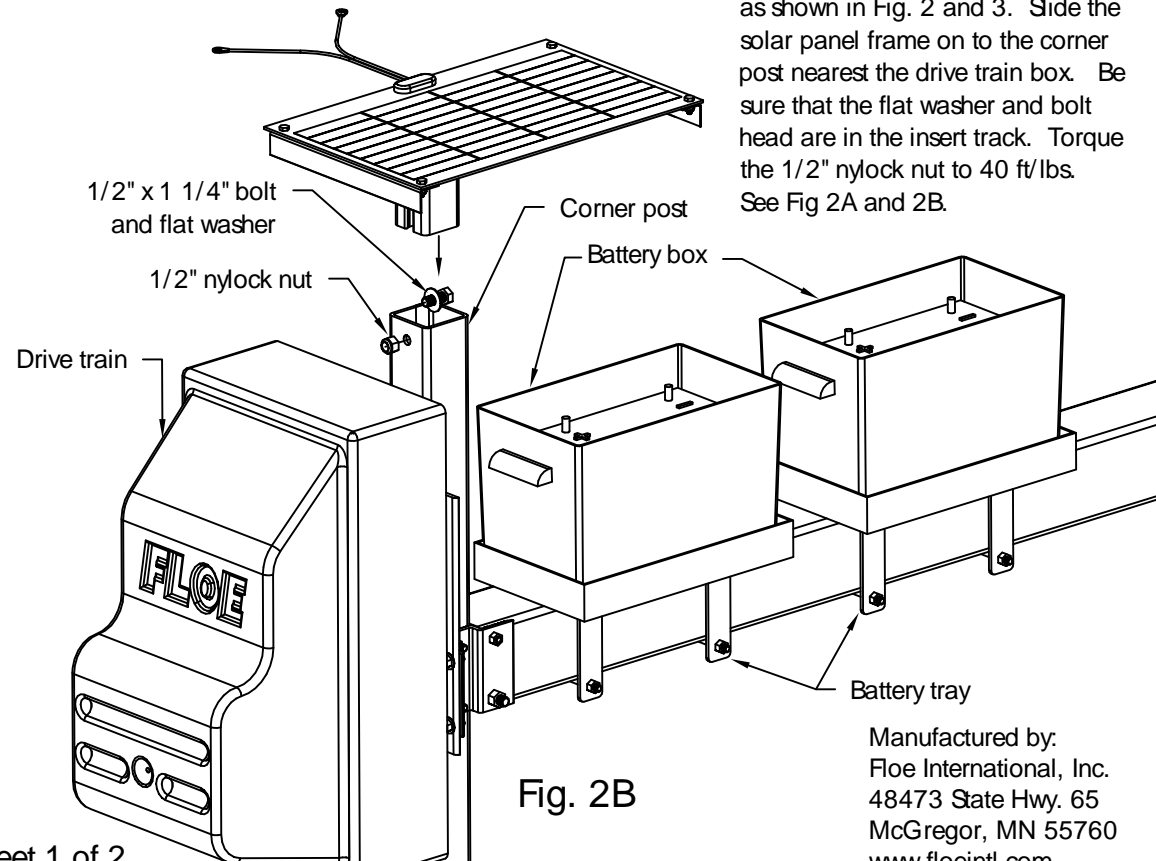


Fig. 2A

2. Assemble the 1/2" x 1 1/4" bolt, flat washer and nut on the corner post as shown in Fig. 2 and 3. Slide the solar panel frame on to the corner post nearest the drive train box. Be sure that the flat washer and bolt head are in the insert track. Torque the 1/2" nylock nut to 40 ft/lbs. See Fig 2A and 2B.



# FLOE 24 VOLT SOLAR PANEL

## FOR 6000-7500# VSD BOAT LIFTS WITHOUT A CANOPY

3. Run the solar panel wire down the corner post (on the drive train corner) and to the battery tray. Cut the 1/2" Velcro to lengths needed to secure the wire to the insert. Coil any excess wire and secure to frame with Velcro. Place the battery in the battery box and set on the battery tray. See Fig. 3.

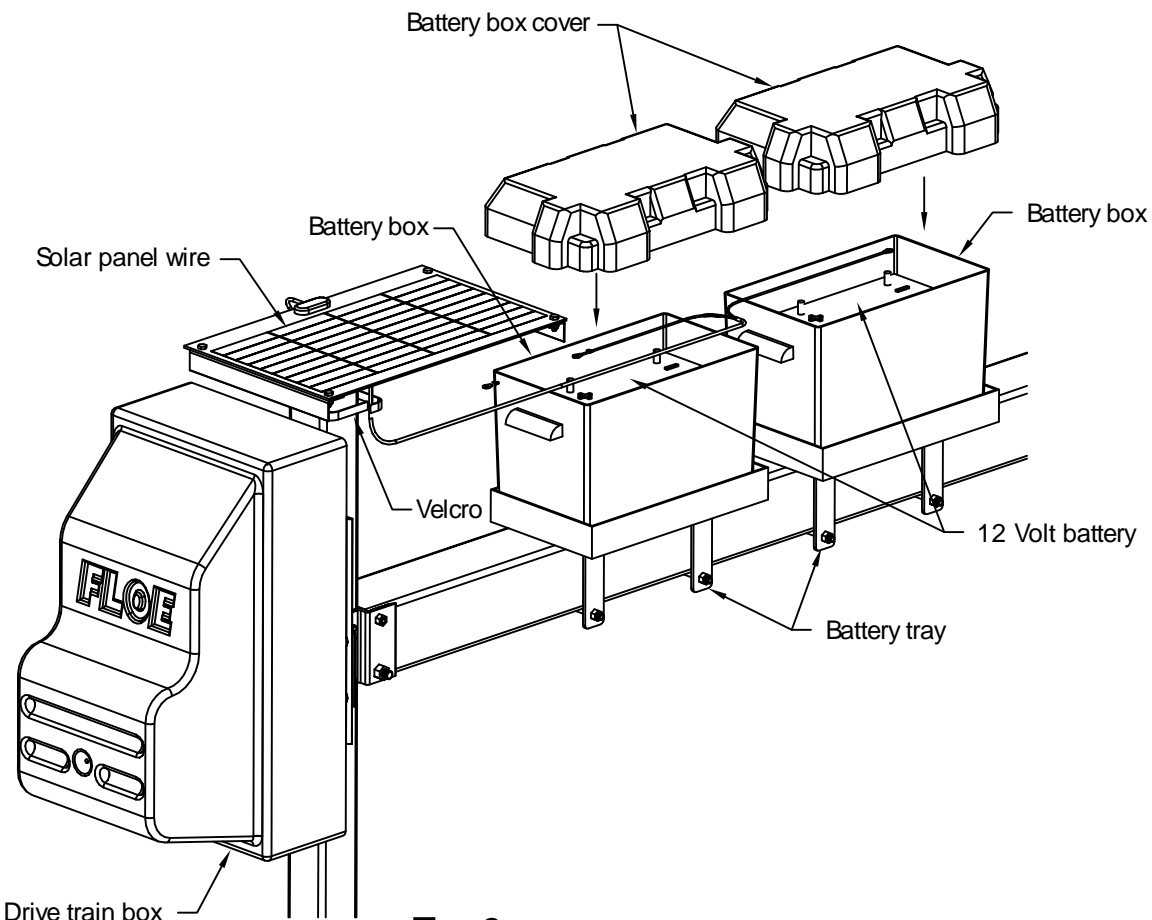


Fig. 3

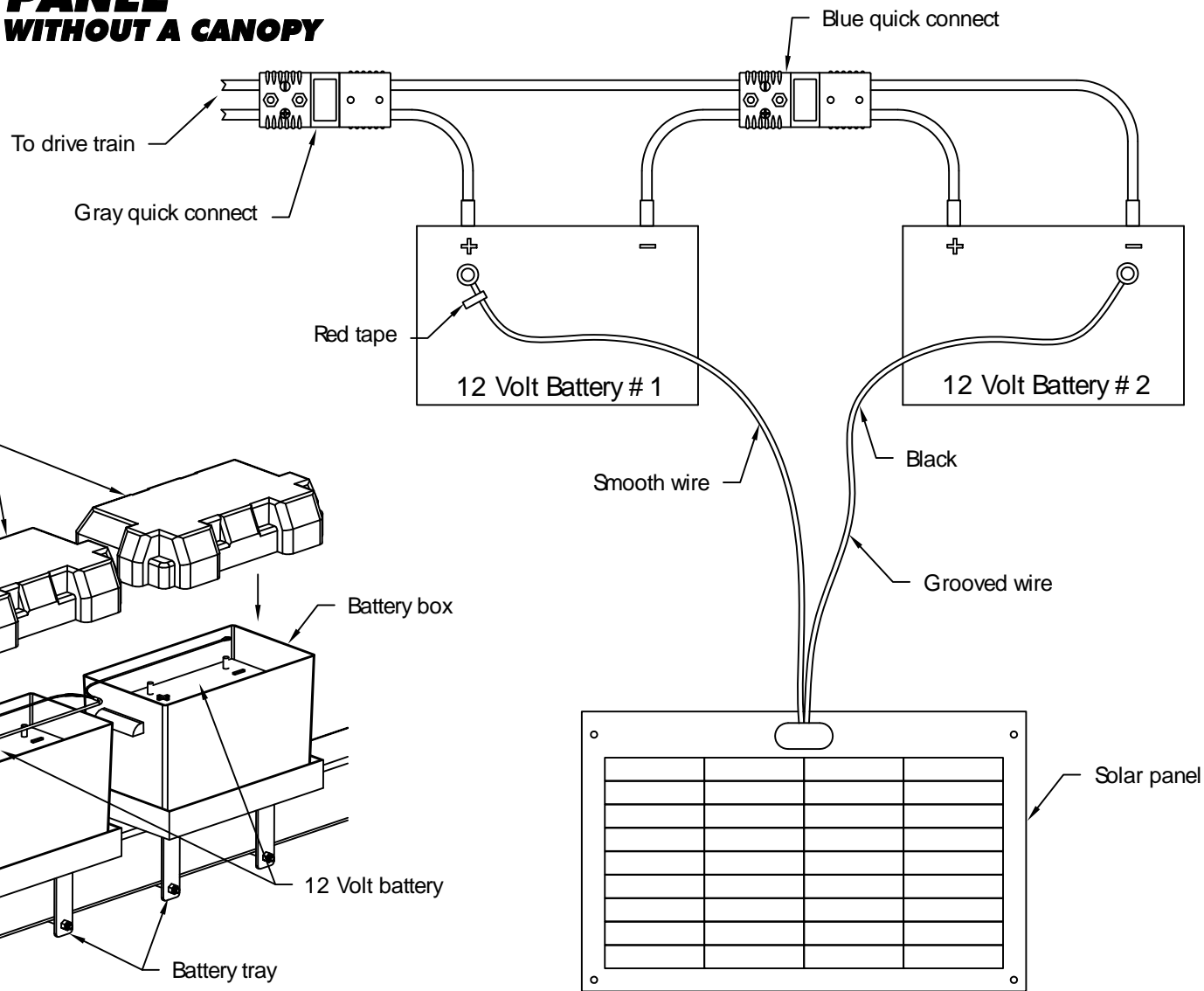


Fig. 4

4. Connect the solar panel to the battery as shown in Fig. 4. The smooth wire with red tape connects to the positive post on the first battery and the grooved wire connects to the negative post on the second battery. Strap the battery box cover to the battery box.