

FLOE 12 VOLT SOLAR PANEL

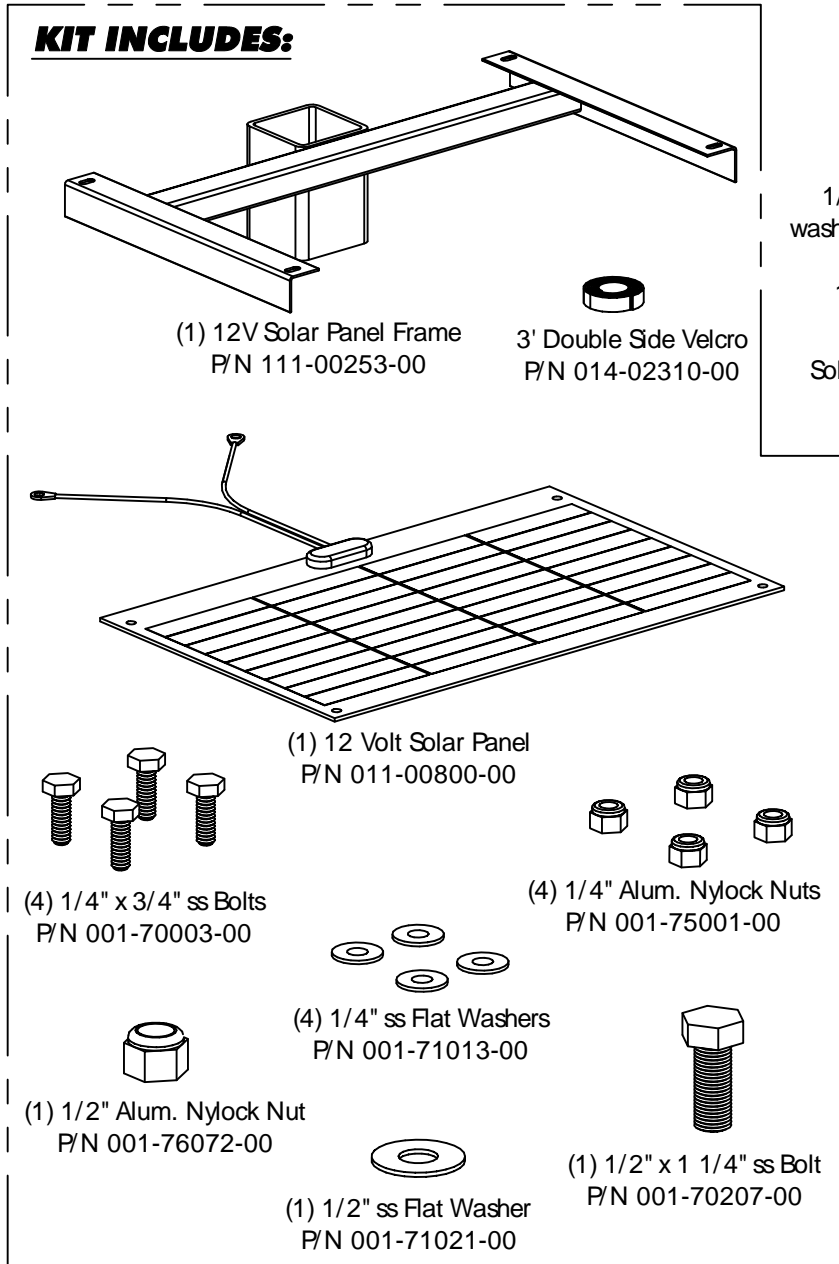
ASSEMBLY INSTRUCTIONS

FOR 4500# VSD BOAT LIFTS WITHOUT A CANOPY

P/N 511-01315-00

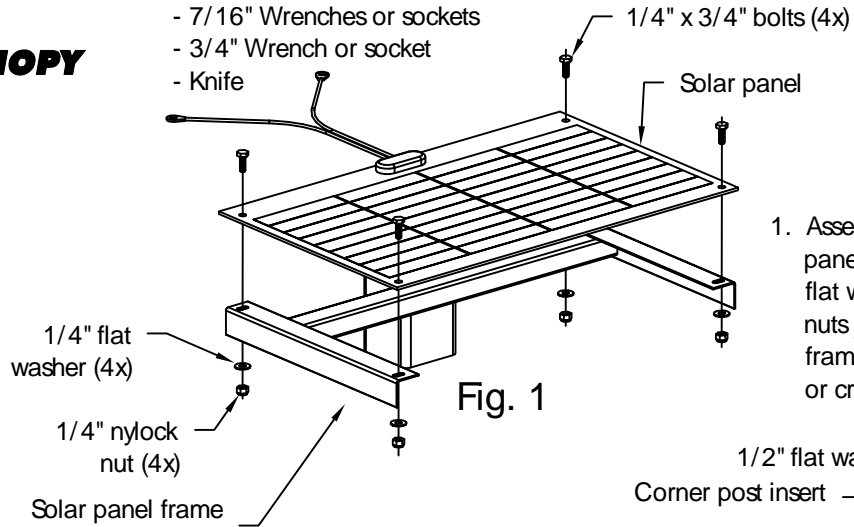


KIT INCLUDES:

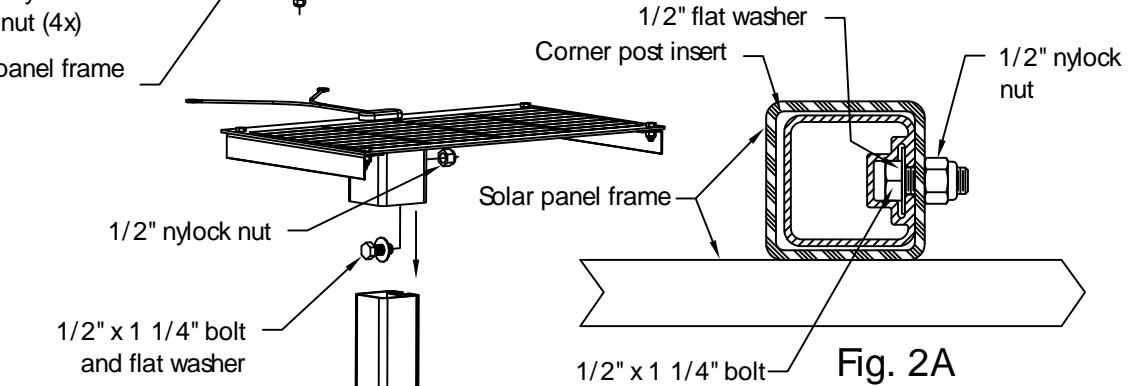


Tools Required:

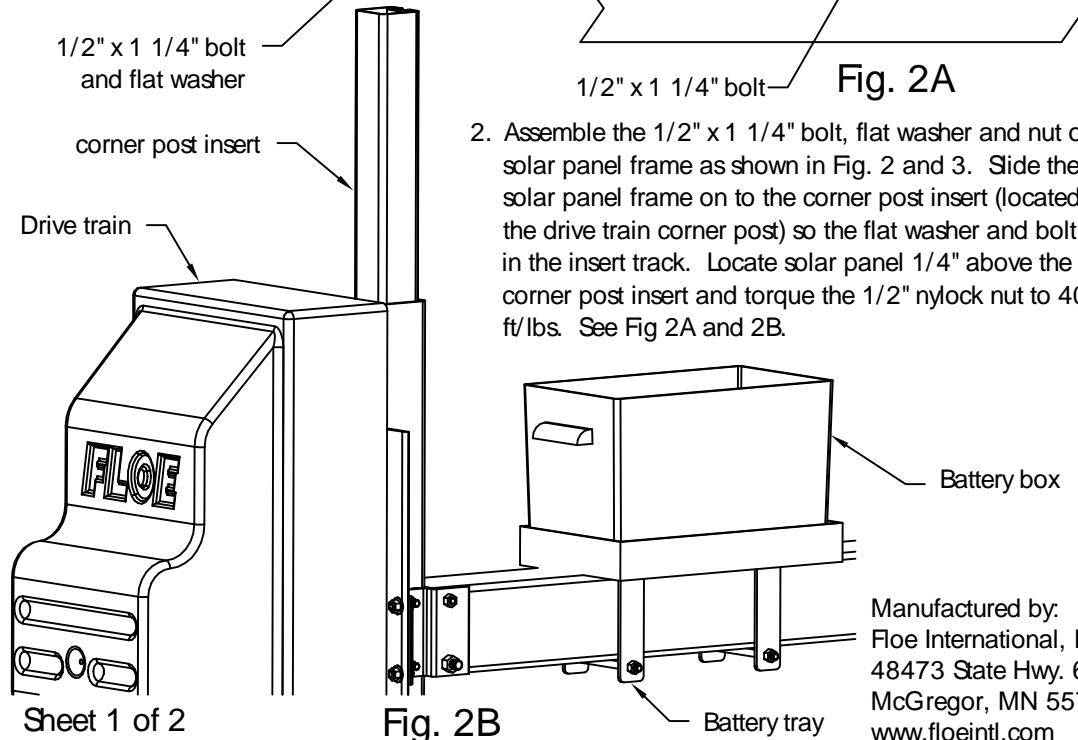
- 7/16" Wrenches or sockets
- 3/4" Wrench or socket
- Knife



1. Assemble the solar panel to the solar panel frame using (4) 1/4" x 3/4" bolts, flat washers, and nuts. Tighten lock nuts just enough to snug solar panel to frame. Use caution not to overtighten or crush solar panel. See Fig. 1.



2. Assemble the 1/2" x 1 1/4" bolt, flat washer and nut on the solar panel frame as shown in Fig. 2 and 3. Slide the solar panel frame on to the corner post insert (located on the drive train corner post) so the flat washer and bolt are in the insert track. Locate solar panel 1/4" above the corner post insert and torque the 1/2" nylock nut to 40 ft/lbs. See Fig 2A and 2B.



FLOE 12 VOLT SOLAR PANEL FOR 4500# VSD BOAT LIFTS WITHOUT A CANOPY

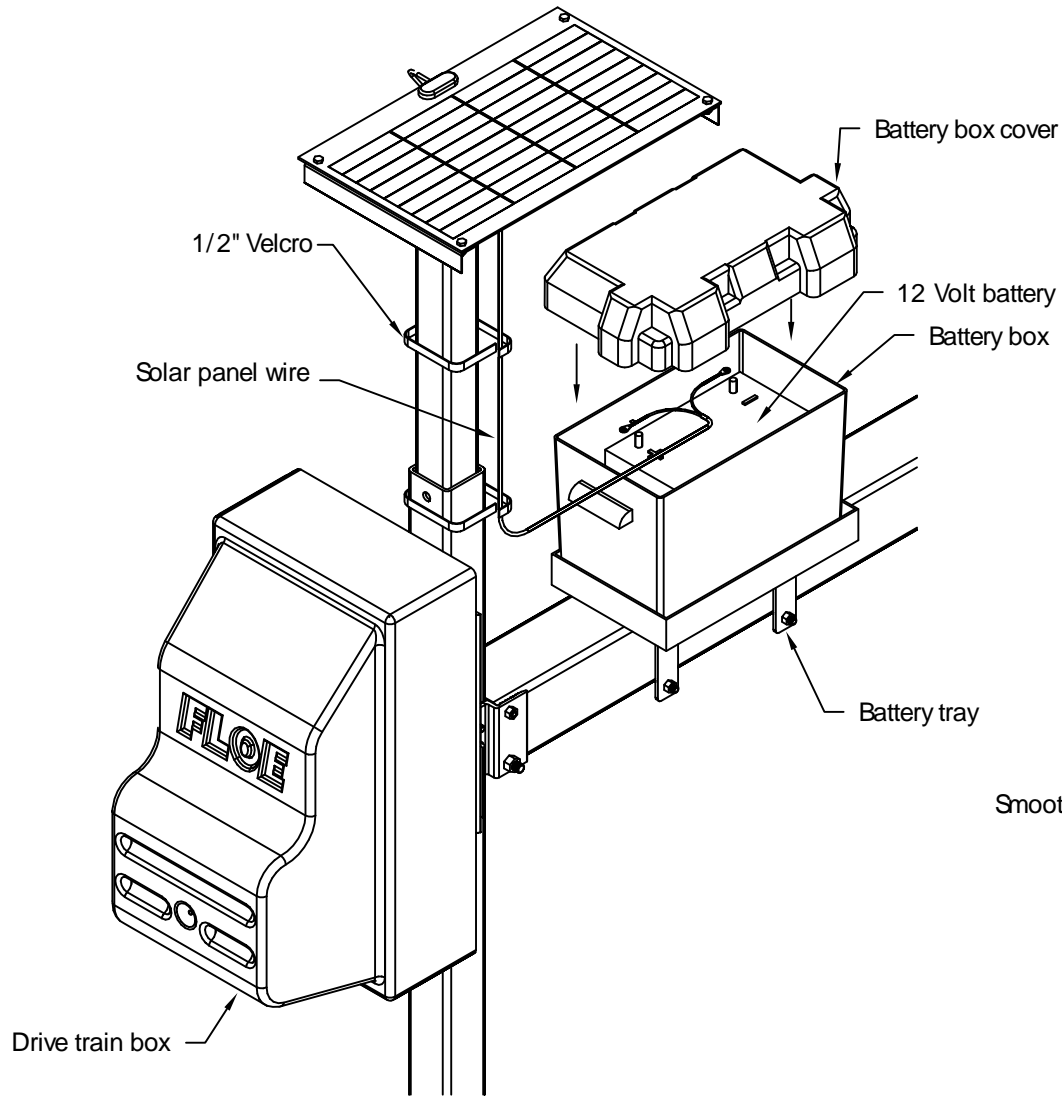


Fig. 3

3. Run the solar panel wire down the corner post insert (on the drive train corner) and to the battery tray. Cut the 1/2" Velcro to lengths needed to secure the wire to the insert. Place the battery in the battery box and set on the battery tray. See Fig. 3.

4. Connect the solar panel to the battery as shown in Fig. 4. The smooth wire with red tape connects to the positive battery post and the grooved wire connects to the negative post. Strap the battery box cover to the battery box.

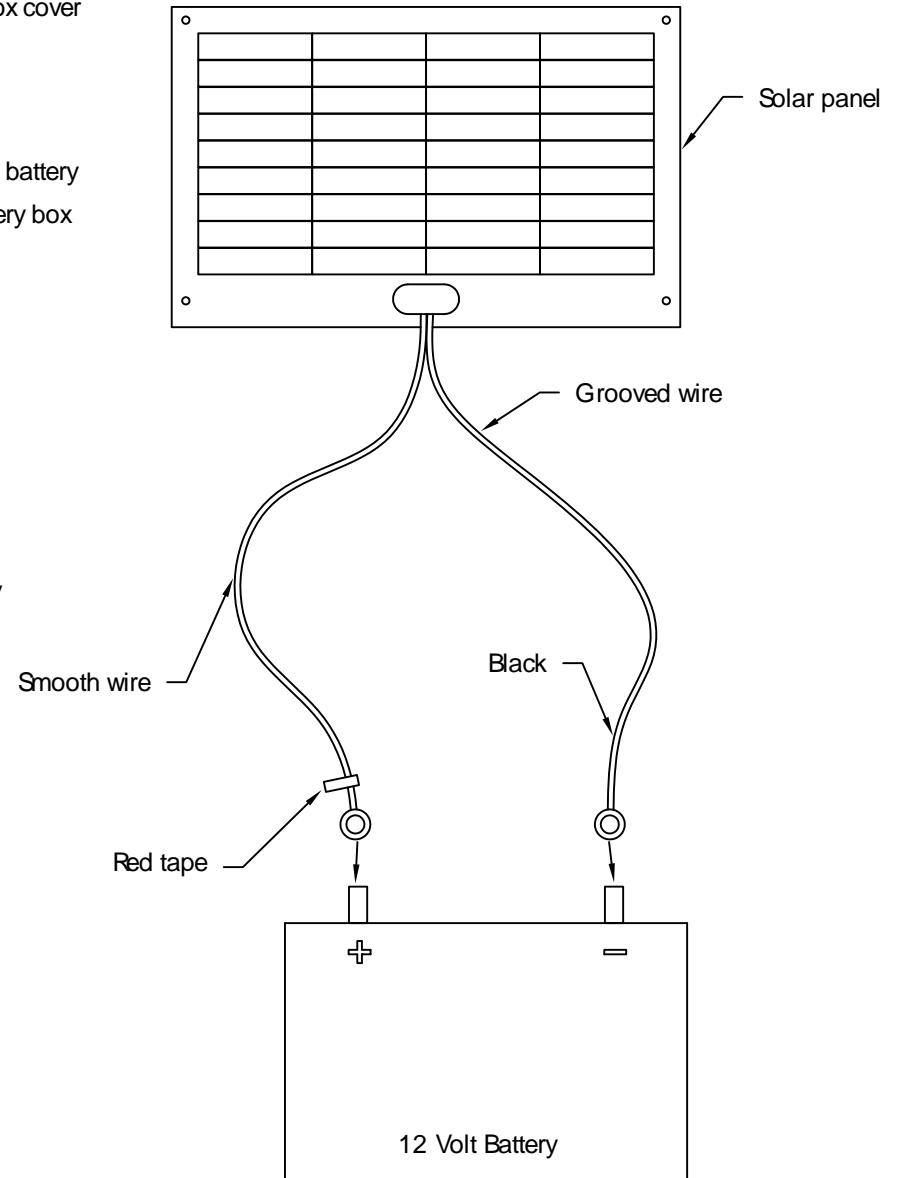


Fig. 4