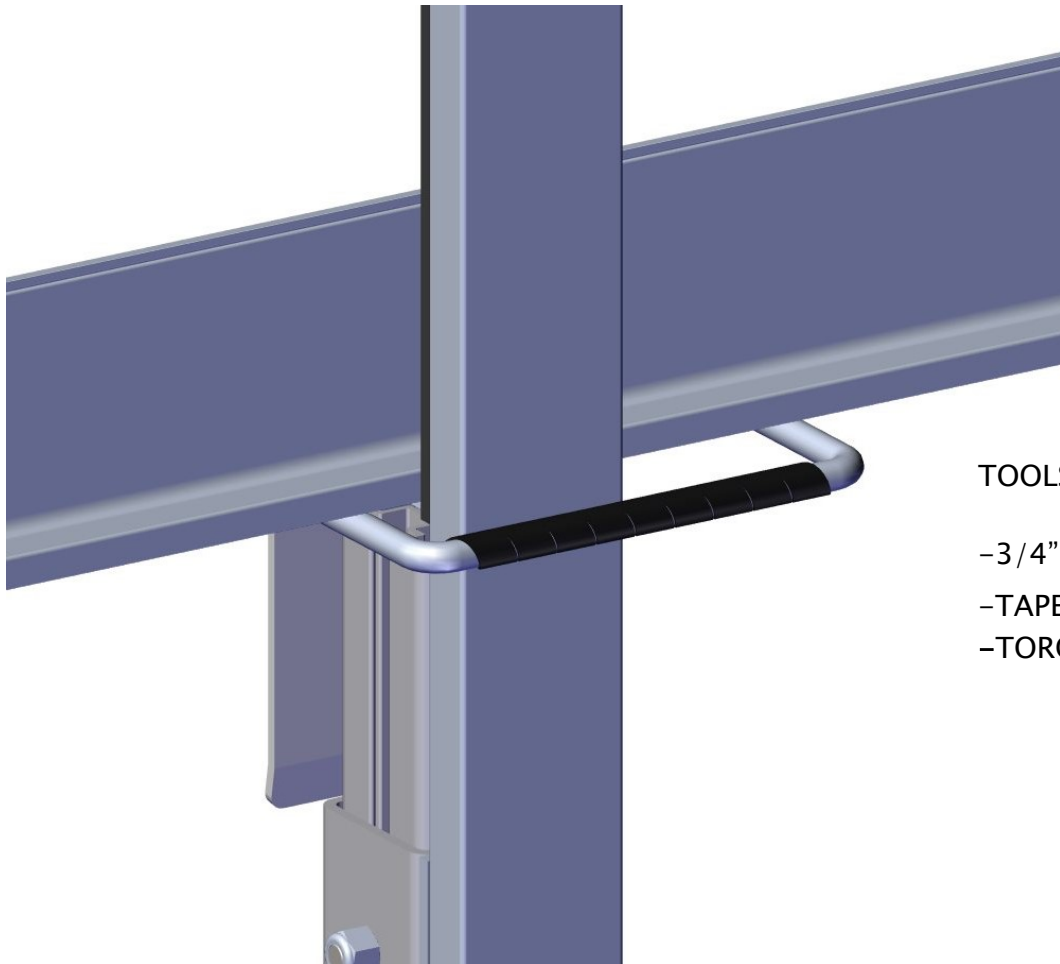


# FLOE MAXIS CANOPY CONTAINMENT BRACKET UPDATE KIT ASSEMBLY INSTRUCTIONS

KIT P/N 512-64555-00



## TOOLS REQUIRED

- 3/4" SOCKET
- TAPE MEASURE
- TORQUE WRENCH

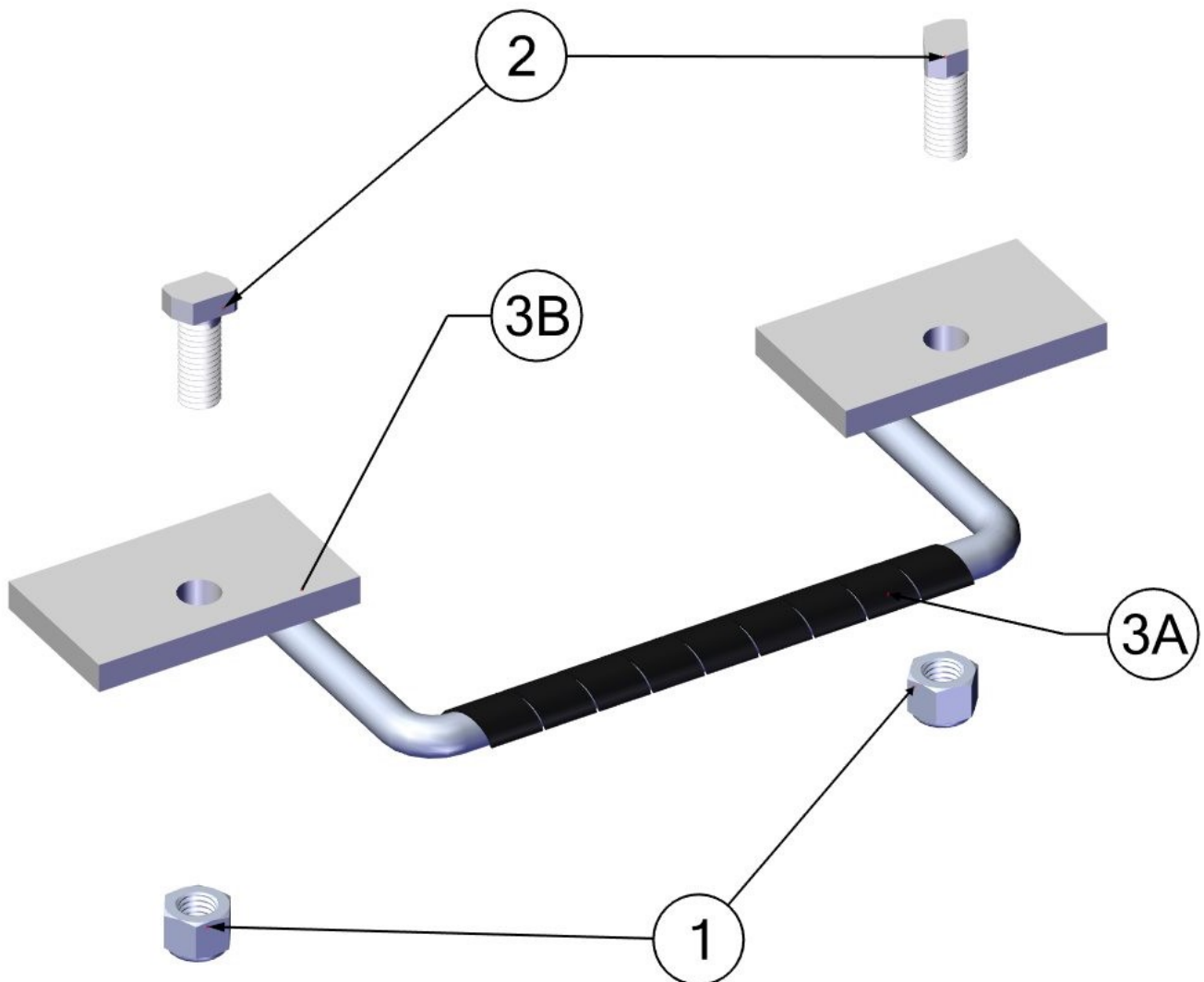
\*LIFT, CANOPY, AND TILT KIT NOT INCLUDED

# BILL OF MATERIALS

P/N 512-64555-00

P/N 112-00229-00		ASS'Y, MAXIS CONTAINMENT BRACKET UPDATE	
Number	Part Number	QTY.	Description
1	001-76072-00	4	NUT, NYLOCK 1/2-13 ALUM.
2	002-00151-00	4	BOLT, CANOPY RAIL 1/5 x 1-1/4" (FAB)
3	112-00229-00	2	ASS'Y, MAXIS CONTAINMENT BRACKET UPDATE

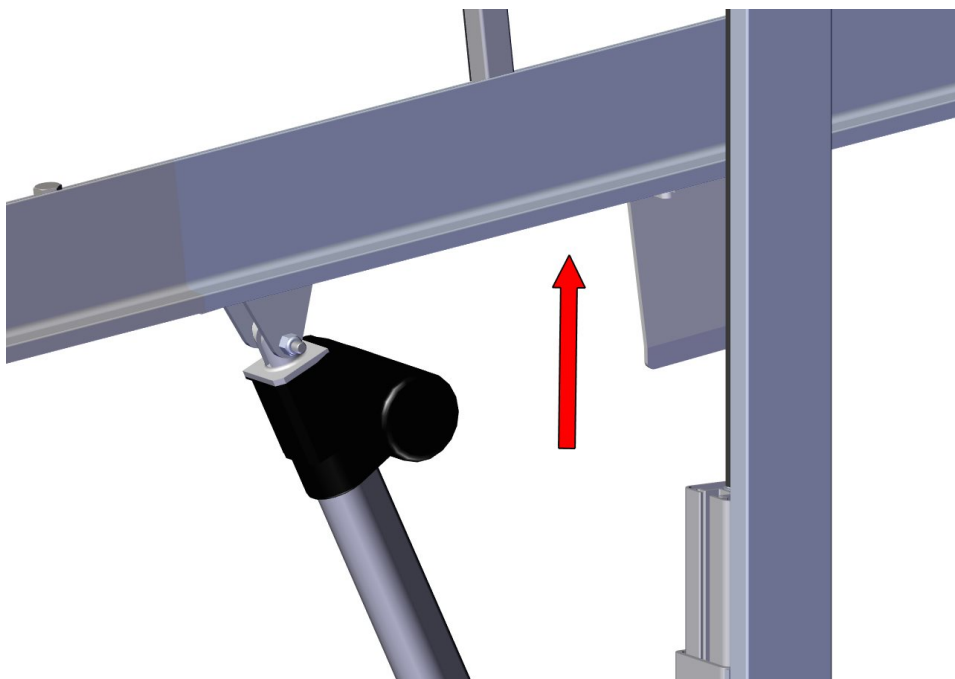
P/N 112-00229-00		ASS'Y, MAXIS CONTAINMENT BRACKET UPDATE	
Number	Part Number	QTY.	Description
3A	006-10025-00	0.8125 FT	SPIRAL WRAP, 1/2" POLYETHYLENE
3B	112-00153-00	1	WELD'T, MAXIS CONTAINMENT BRACKET



# INSTALLATION

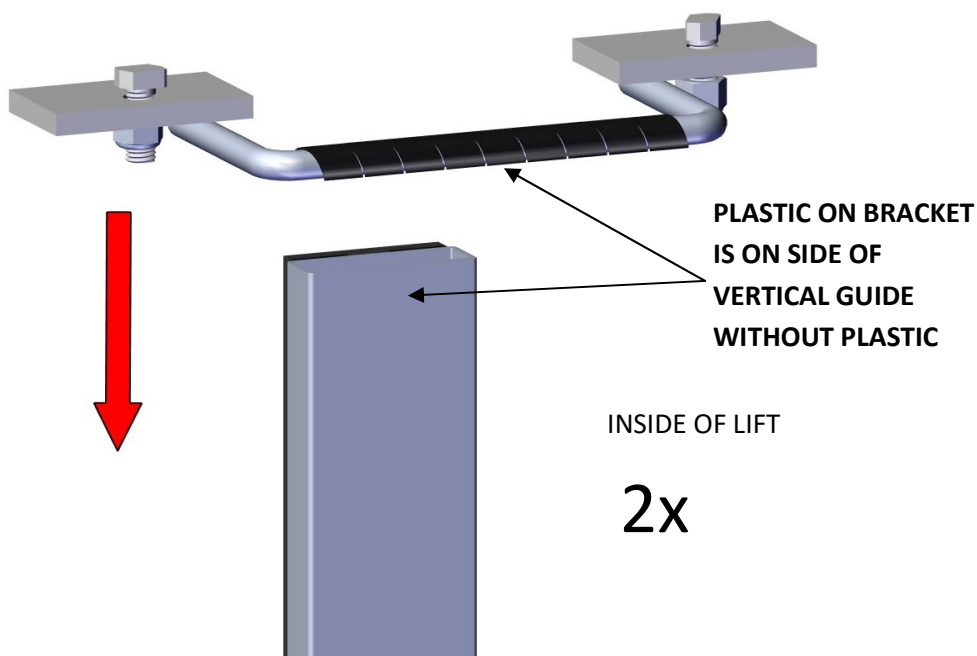
## STEP 1

RAISE CANOPY TO ALLOW FOR BRACKET TO BE PLACED OVER VERTICAL GUIDE.



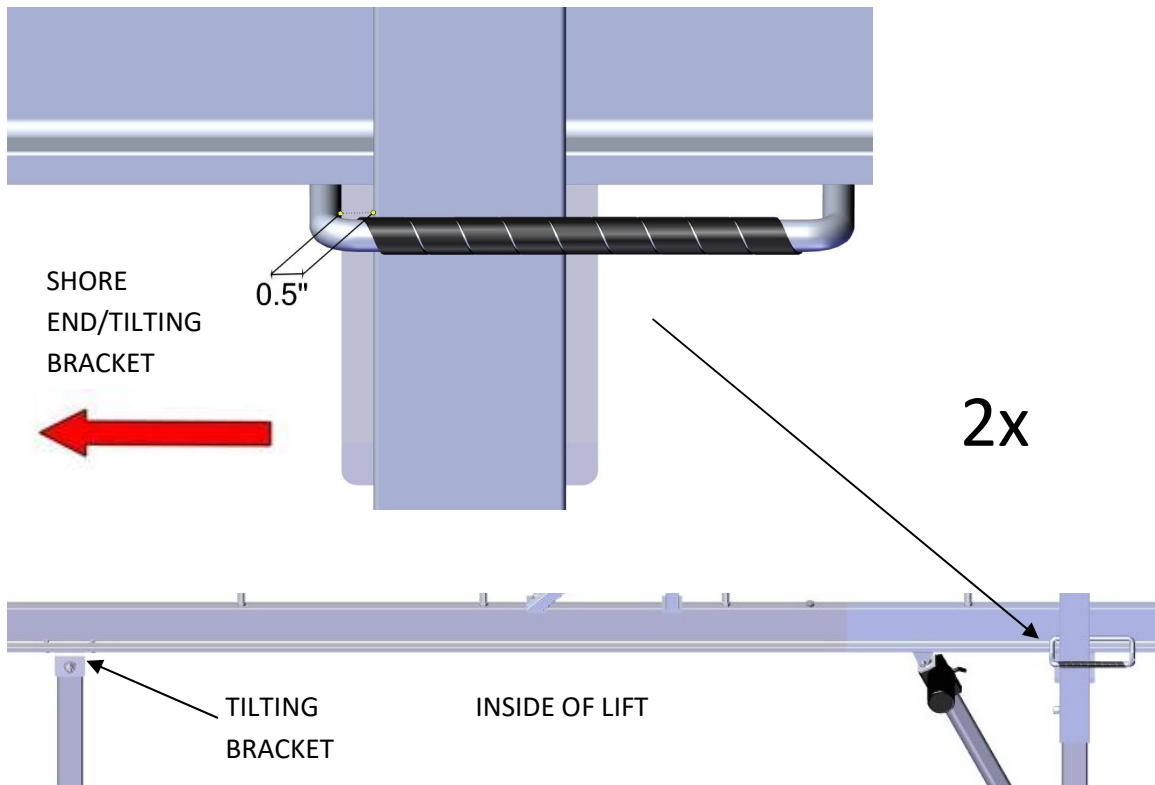
## STEP 2

SLIDE CONTAINMENT BRACKETS WITH FASTNERS OVER VERTICAL GUIDE WITH PLASTIC ON BRACKET ON SIDE OF VERTICAL GUIDE WITHOUT PLASTIC.



### STEP 3

LOWER CANOPY AND PLACE CONTAINMENT BRACKETS INTO CANOPY RAILS. POSITION BRACKETS 0.5" FROM SIDE OF VERTICAL GUIDE FACING TILTING BRACKET.



### STEP 4

TORQUE NUTS TO 60 FT-LBS.

