

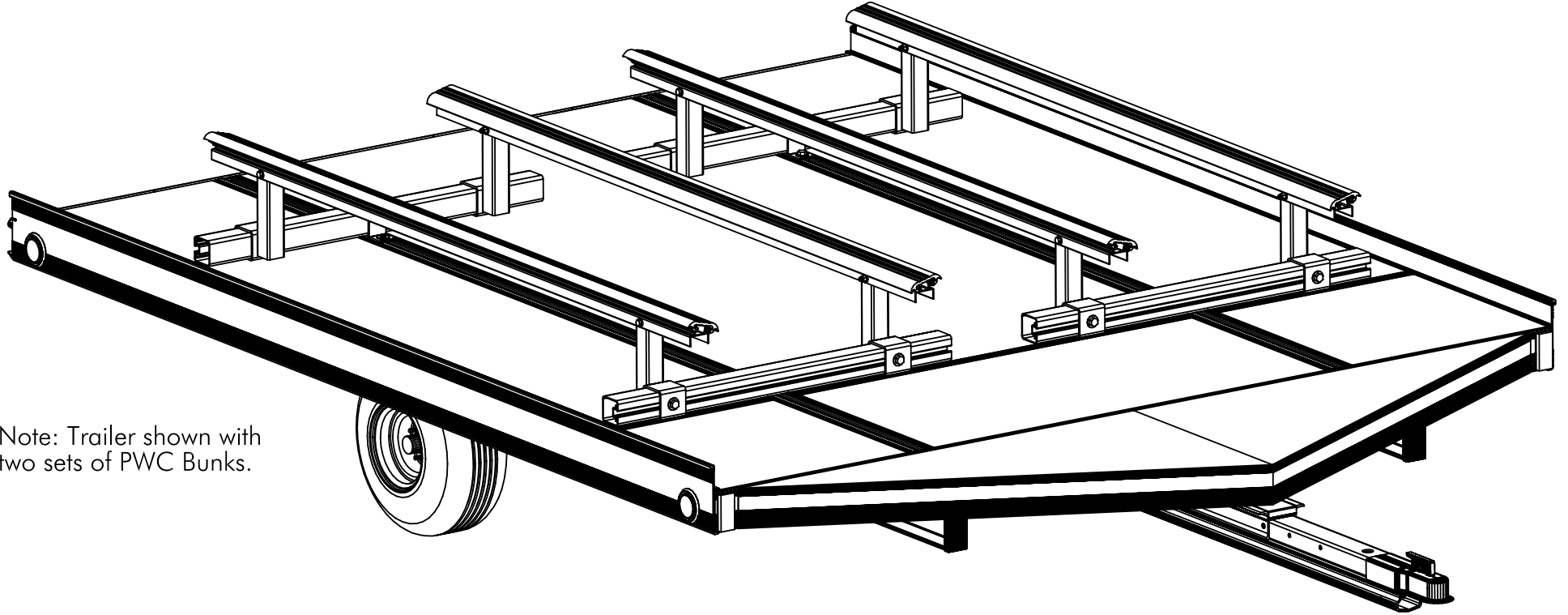
PWC TRAILER BUNK

ASSEMBLY INSTRUCTIONS

P/N 558-21000-00

Tools Required:

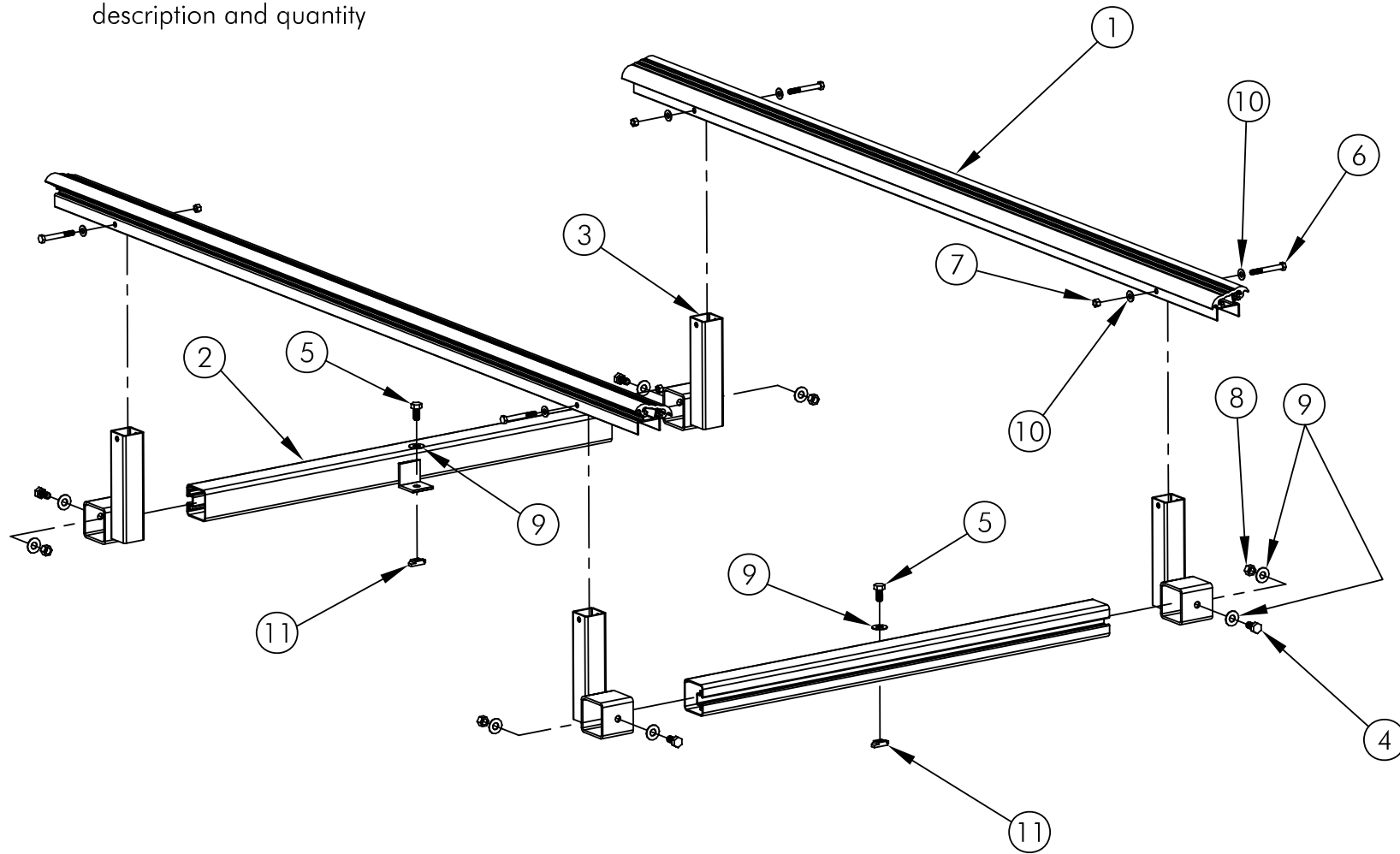
- (2) 9/16" wrenches or sockets
- (1) 3/4" wrench or socket



Note: Trailer shown with two sets of PWC Bunks.

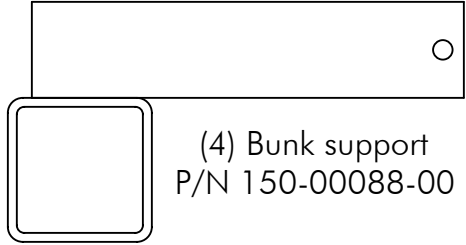
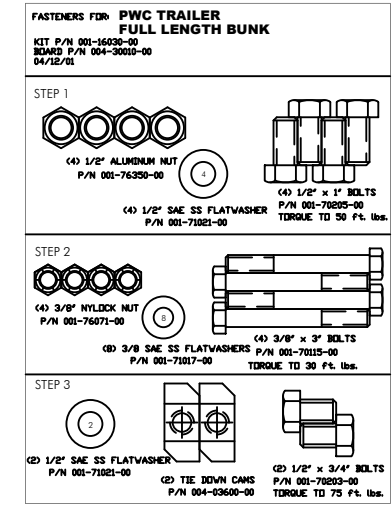
PWC TRAILER BUNK EXPLODED VIEW

* See sheet 3 for item description and quantity

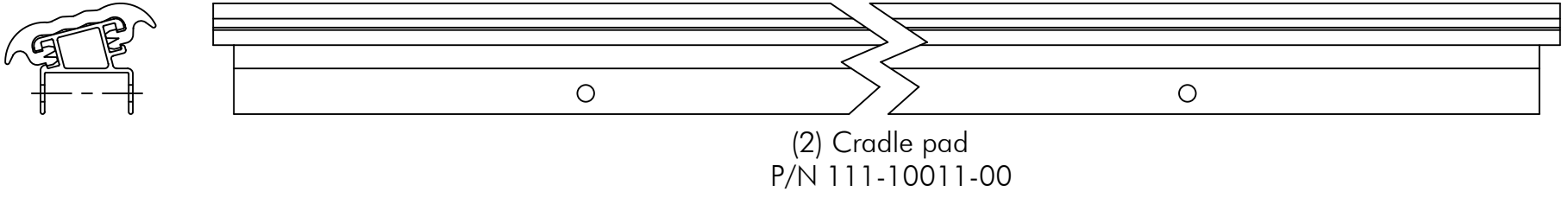
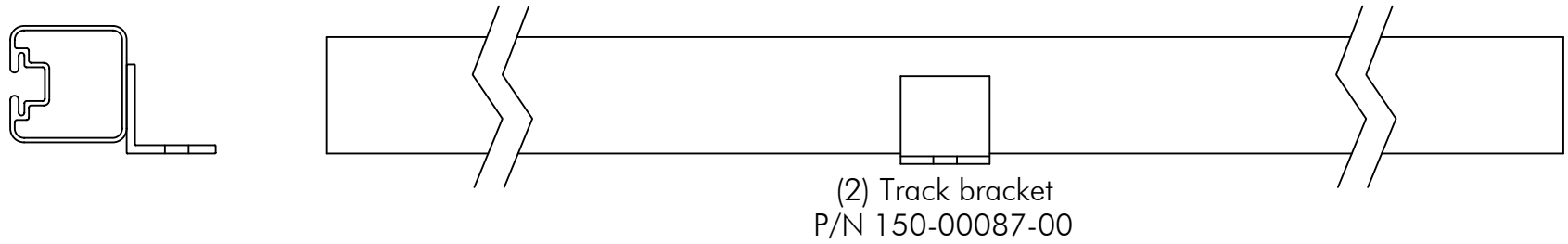


ITEM	PART NO.	QTY	DESCRIPTION
1	111-10011-00	2	Cradle pad
2	150-00087-00	2	Track bracket
3	150-00088-00	4	Bunk support
4	001-70205-00	4	1/2" x 1" bolt ss
5	001-70203-00	2	1/2" x 3/4" bolt ss
6	001-70115-00	4	3/8" x 3" bolt ss
7	001-76071-00	4	3/8" nylock nut
8	001-76350-00	4	1/2" aluminum nut
9	001-71021-00	10	1/2" SAE flat washer ss
10	001-71017-00	8	3/8" SAE flat washer ss
11	004-03600-00	2	Tie down cam
12	001-16030-00	1	Fastener Kit

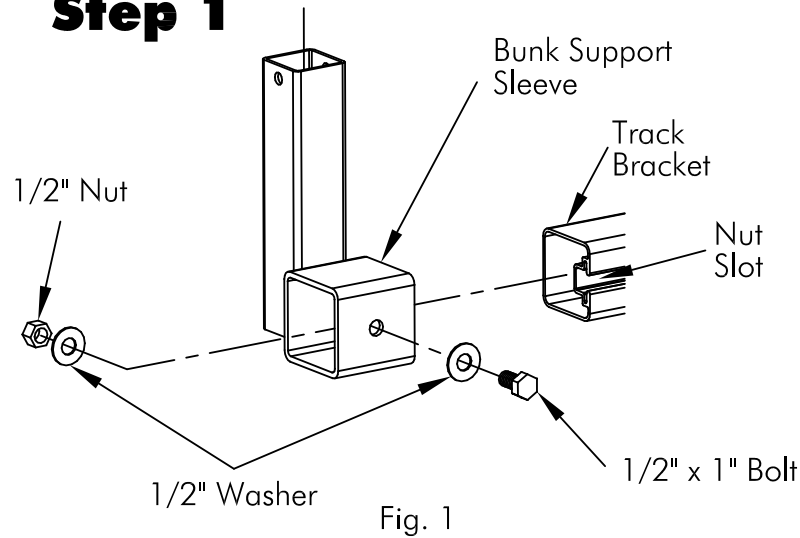
Located in
Fastener kit



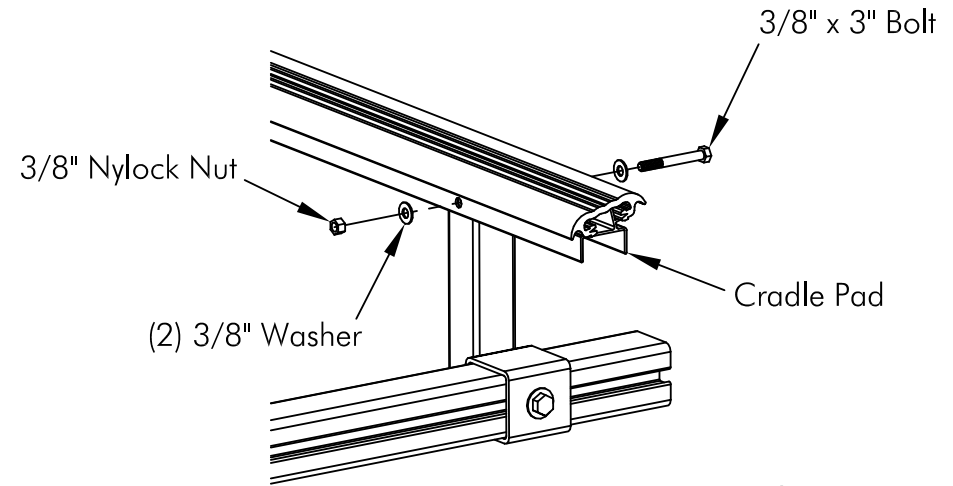
(1) Fastener Kit, PWC Trailer Bunk
P/N 001-16030-00



Step 1

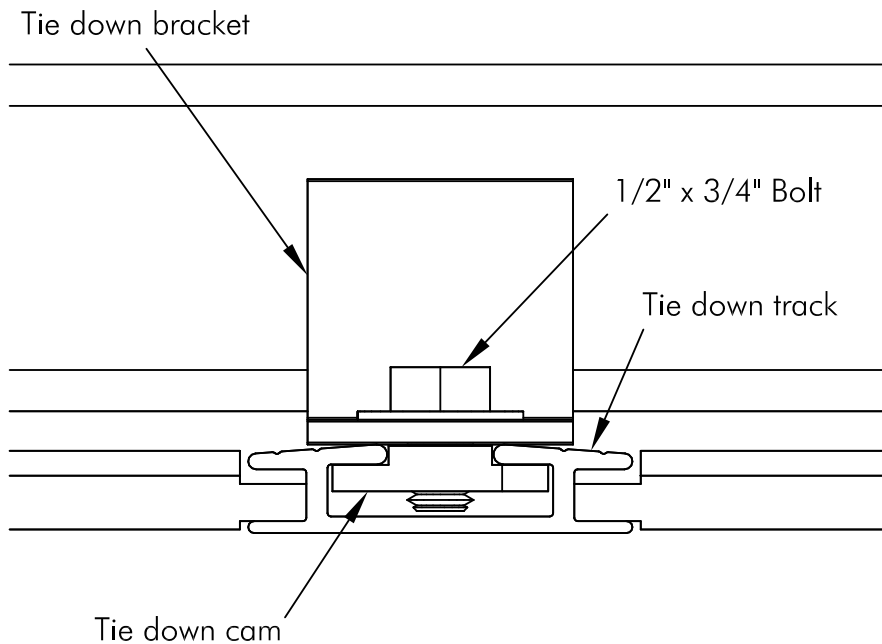


Step 2



Step 3

Fig. 3



1. Insert a 1/2" nut & 1/2" washer into the nut slot. Slide the Bunk Support Sleeve over the Track Bracket as shown in Fig. 1. Note the orientation of the nut slot in the Track Bracket. Line up the nut & washer with the hole in the sleeve, insert the 1/2" bolt & washer, and finger tighten. Repeat on the opposite end, and copy the procedure on the 2nd Track Bracket.
2. On a large flat surface, set the Track Brackets approx. 65 inches apart. Refer to Fig. 2 for orientation. Line up the 13/32" dia holes in the Cradle Pad with the upper holes in the Bunk Support. Insert the 3/8" x 3" bolt & a 3/8" washer, secure on opposite side with 3/8" nylock nut & washer. Torque to 30 ft./lbs. Repeat on opposite end, and copy step 2 on the other cradle pad.
3. Place the completed trailer bunk onto the trailer as seen on Sheet 1, centering front to back, and placing the tie down bracket over the tie down track. Insert a tie down cam into the tie down track and center on the bolt hole. Thread the 1/2" bolt & washer to the tie down cam. Torque to 75 ft./lbs.