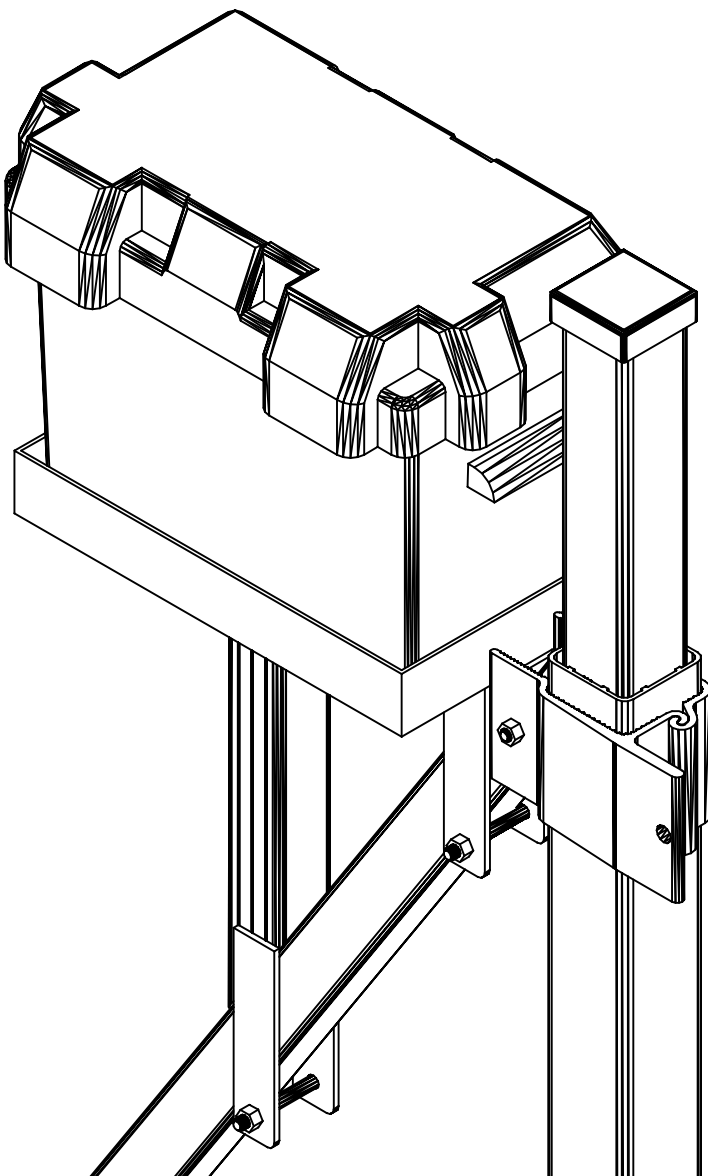


FLOE DC WINCH BATTERY TRAY

P/N 511-53050-00

ASSEMBLY INSTRUCTIONS



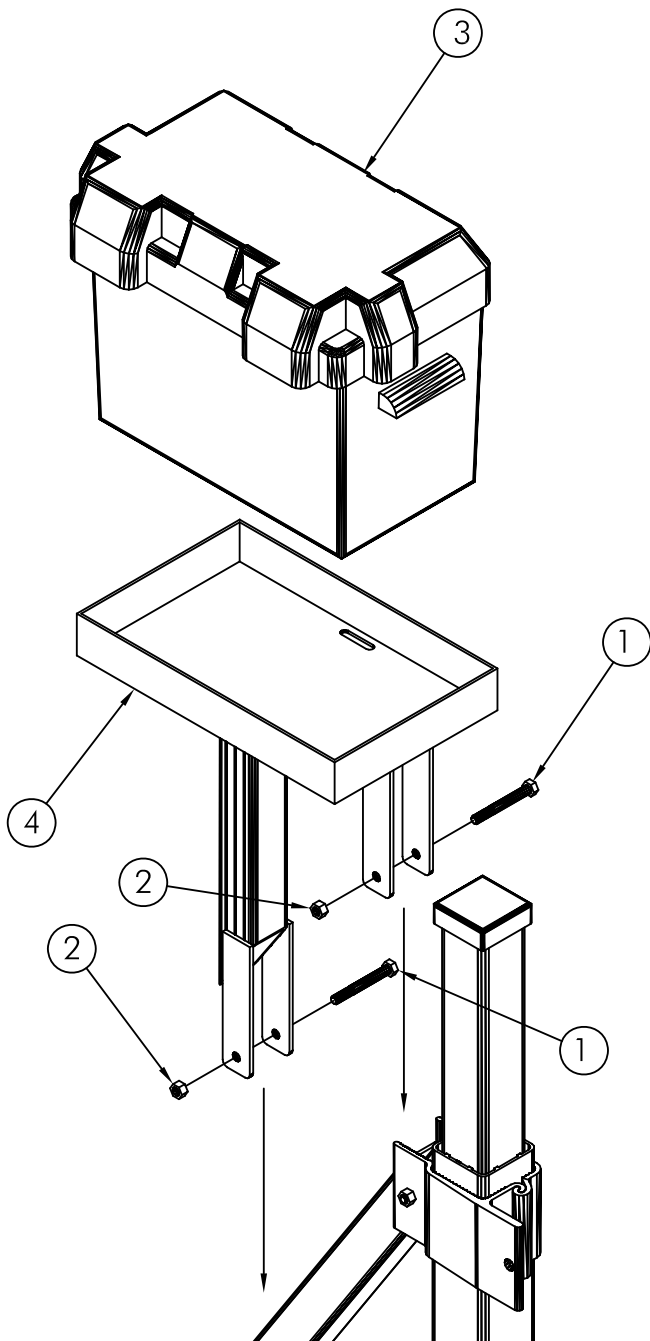
Tools Required:

- (2) 9/16" sockets or wrenches
- Torque wrench

BATTERY TRAY EXPLODED VIEW

P/N 511-53050-00

Item	Part No.	Qty.	Description
1	001-70115-00.....2.....	2	HHCS, 3/8-16 x 3" 18-8 ss
2	001-76349-00.....2.....	2	Nut, 3/8-16 Aluminum
3	002-03106-00.....1.....	1	Box, Battery
4	111-00012-00.....1.....	1	Weldment, Battery Tray



STEP 1

Slide the battery tray assembly over the v-brace attached to winch post. Position the battery tray assembly close to the winch post to insure adequate power cable length. Insert the (2) HHCS 3/8-16 x 3" with (2) 3/8-16 nylock nuts through the holes in the battery tray support legs and torque to 25 ft/lbs. See Fig. 1.

NOTE:

Refer to DC winch instructions for mounting and wiring of DC winch.

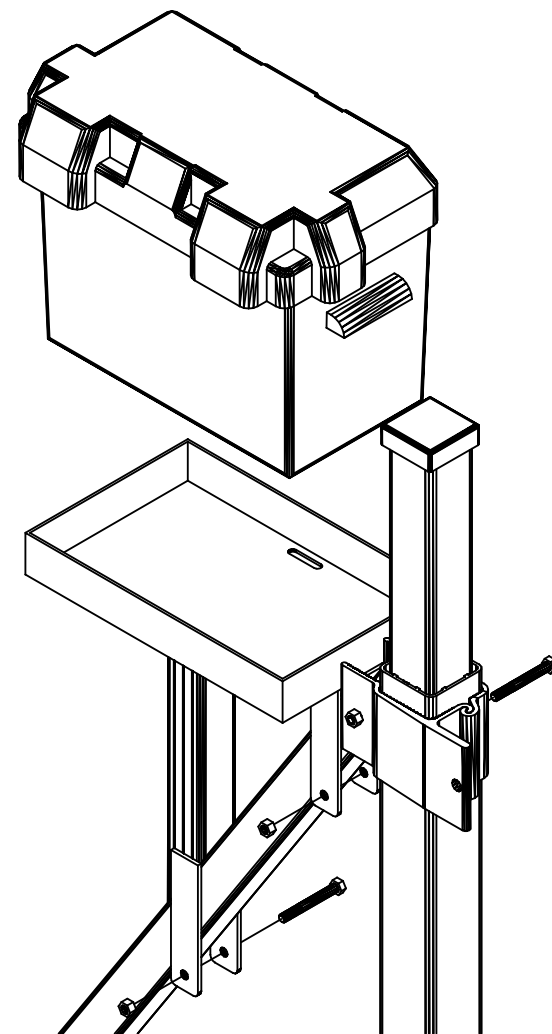


Fig. 1