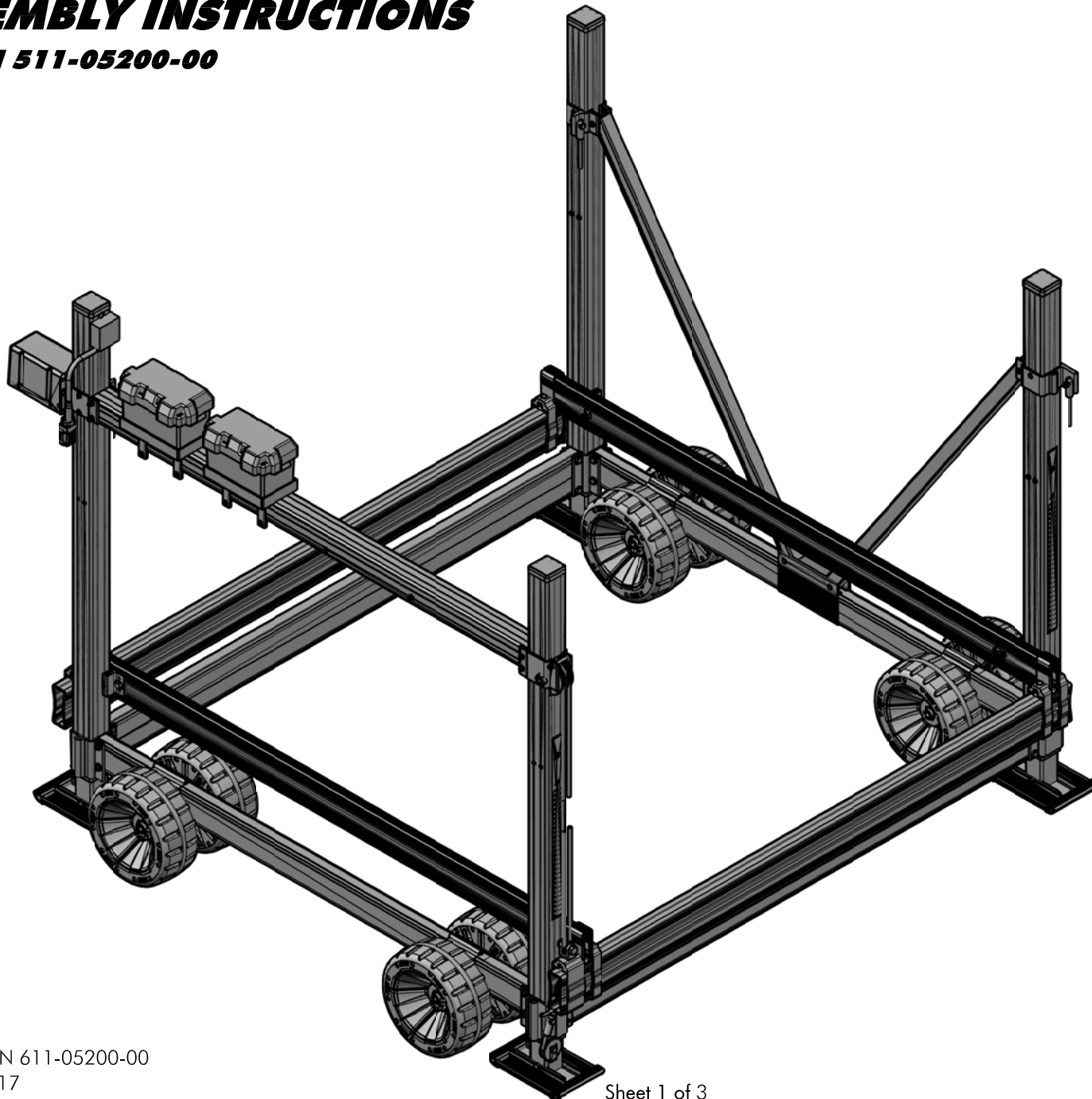


**FLOE BOAT LIFT WHEEL KIT
FOR VSD 6000 THRU 10000
ASSEMBLY INSTRUCTIONS
KIT P/N 511-05200-00**



Step 1: Slide the clamps together over the frame. Insert the 3/8" bolts into the bolt holes on clamps from the outside of the lift and start the 3/8" nylock nuts. Slide the spindle through the large hole in the clamp. Position the clamp assembly so that it is 17" from the corner post as shown in Fig. 1. Torque the 3/8" bolts to 35 ft/lbs.

Step 2: On the outside of the lift slide on a wheel and a 2 1/2" stainless steel flat washer, then insert a spindle clip into one hole in the spindle and pull on clip until it snaps into the opposite hole in spindle. From the inside of the lift, slide a PVC spacer, wheel, then a 2 1/2" stainless steel flat washer over the spindle. Insert a spindle clip into one hole in the spindle and pull over on clip until it snaps into opposite hole in spindle. As shown in Fig. 1. Repeat for each set of wheels.

WARNINGS: It is important that you raise the lift cradle at least 2 feet when transporting the lift in or out of the water. This will prevent the wheels from hitting the side cradle beams, which would prevent the wheels from turning freely. As shown in Fig. 2.

