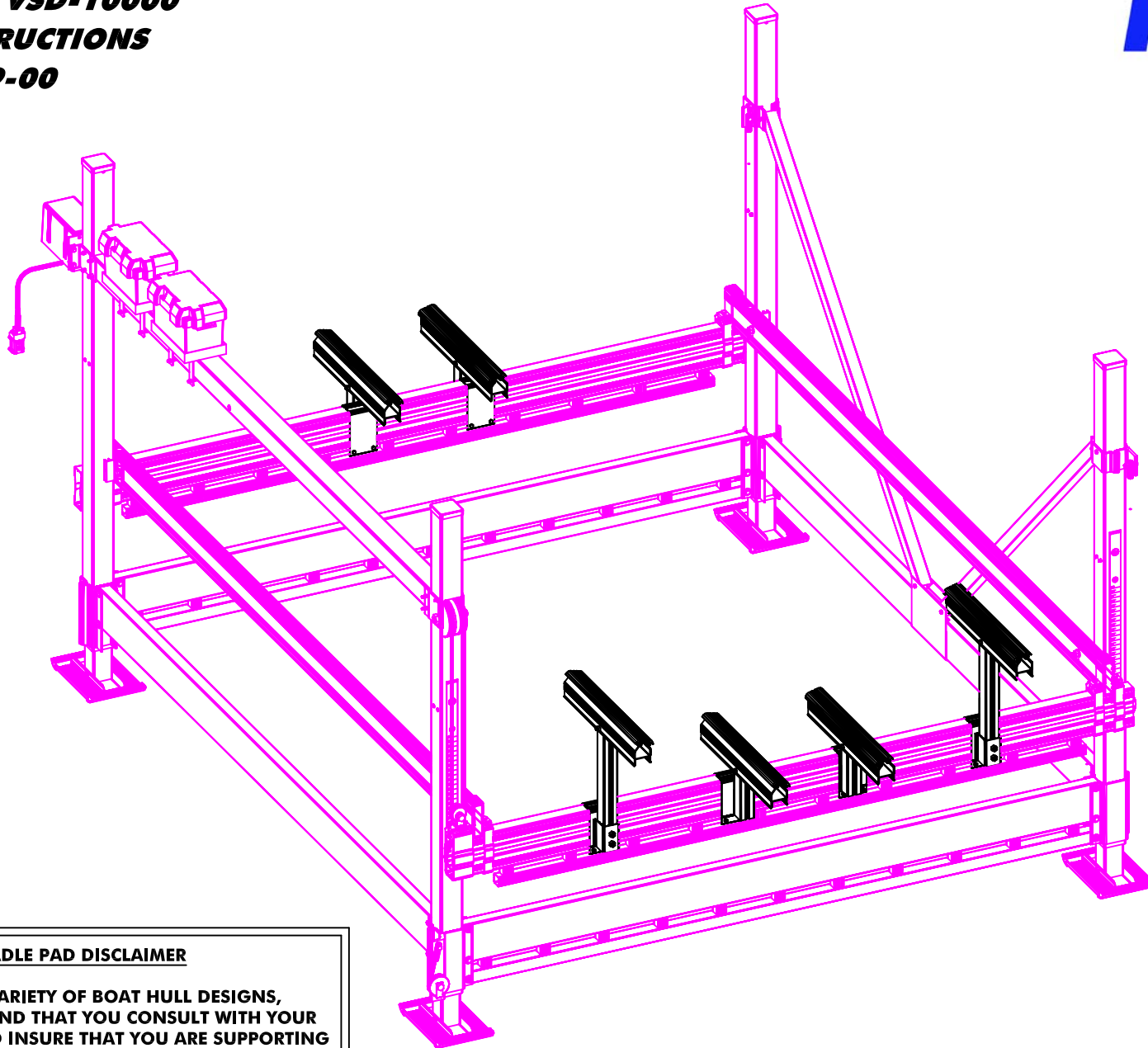


FLOE CRADLE PADS

VSD-6000 THRU VSD-10000

ASSEMBLY INSTRUCTIONS

P/N: 511-02719-00



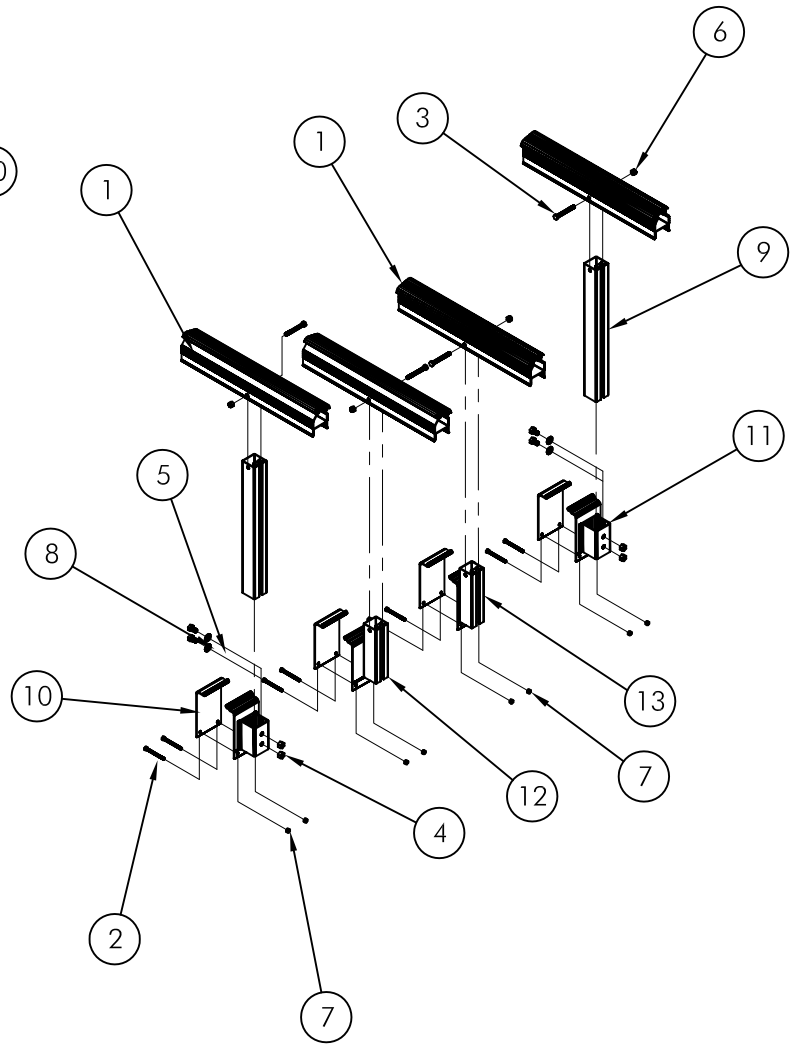
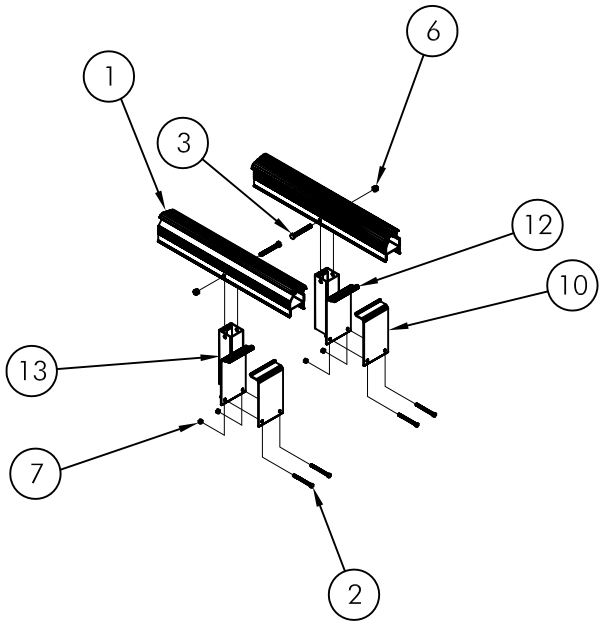
BUNK/CRADLE PAD DISCLAIMER

**DUE TO THE LARGE VARIETY OF BOAT HULL DESIGNS,
WE STRONGLY RECOMMEND THAT YOU CONSULT WITH YOUR
BOATS MANUFACTURER TO INSURE THAT YOU ARE SUPPORTING
YOU BOAT PROPERLY TO AVOID ANY POTENTIAL DAMAGE.**

Manufactured by:
Floe International Inc.
48473 State Hwy. 65
McGregor, MN 55760
www.floeintl.com

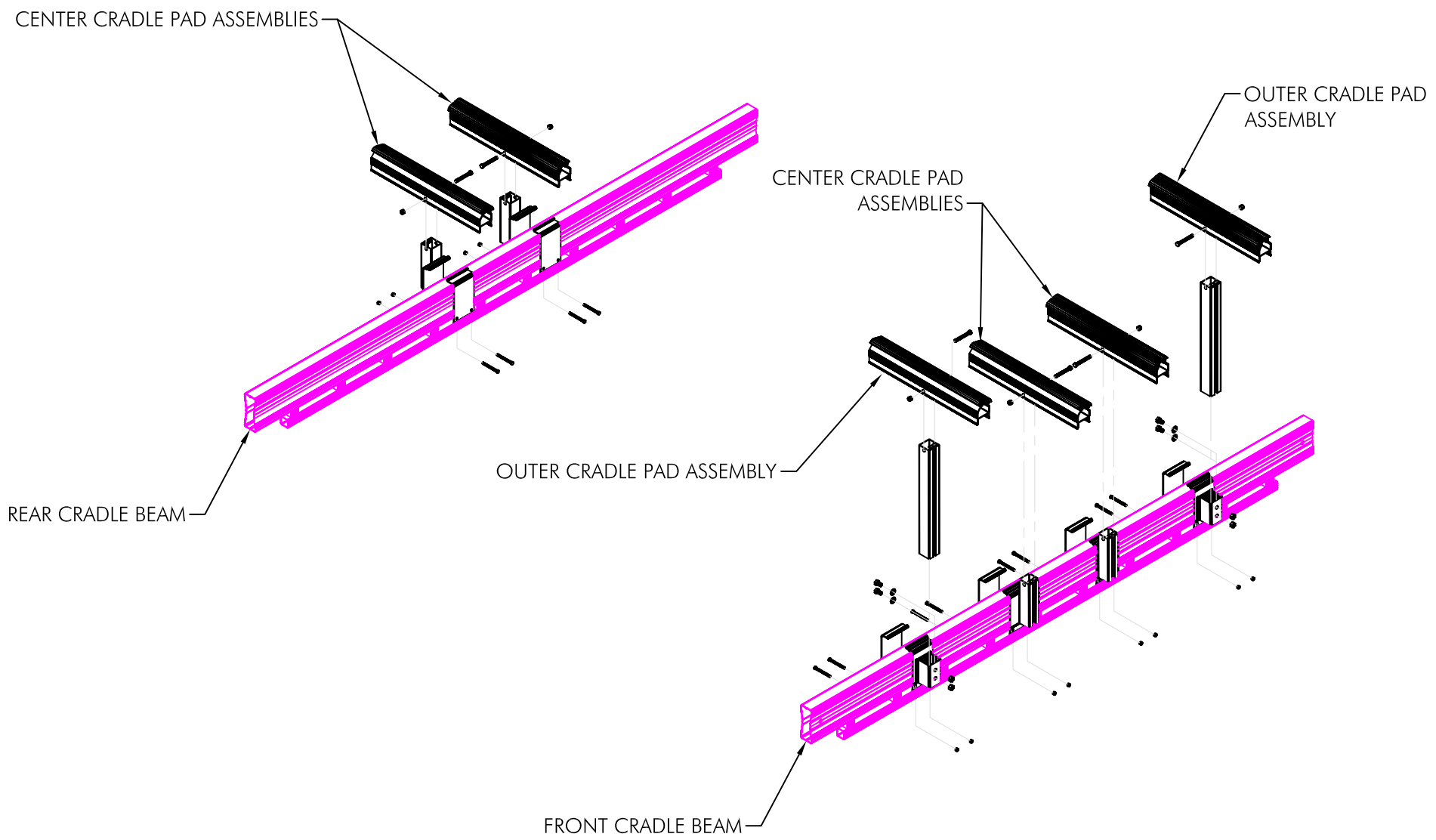
FLOE CRADLE PADS EXPLODED VIEW

P/N: 511-02719-00



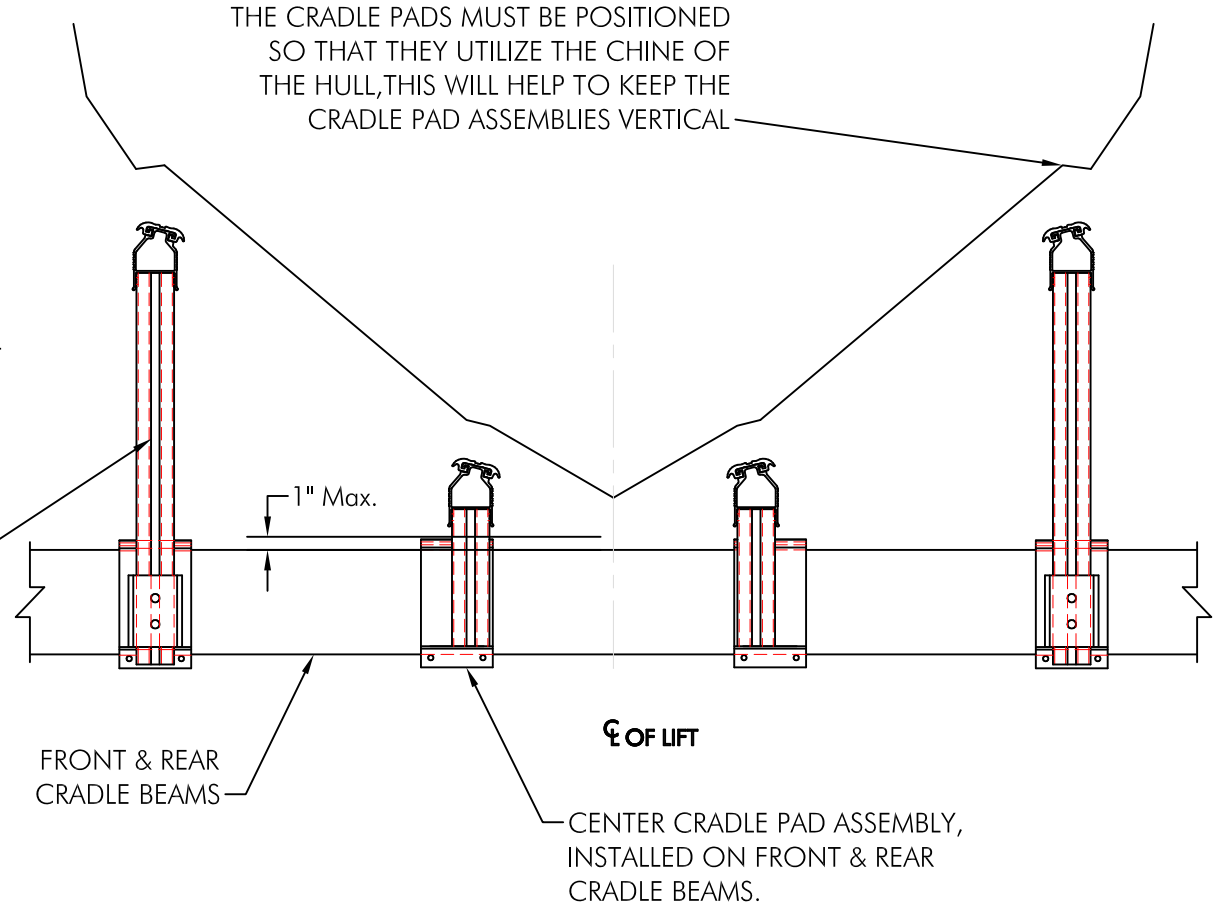
PARTS LIST

ITEM	QUANTITY	PART NO.	DESCRIPTION
1	6	111-00358-00	ASSEMBLY, CRADLE PAD - 29.75"
2	12	001-70119-00	HHCS, 3/8-16 x 4" 18-8 SS
3	6	001-70219-00	HHCS, 1/2-13 x 4" 18-8 SS
4	4	001-70305-00	HHCS, 5/8-11 x 1" 18-8 SS
5	4	001-71025-00	FLAT WASHER, 5/8" SAE 18-8 SS
6	6	001-76072-00	NUT, NYLOCK 1/2-13 ALUMINUM
7	12	001-76349-00	NUT, 3/8-16 ALUMINUM
8	4	001-76351-00	NUT, 5/8-11 ALUMINUM
9	2	002-04269-00	TUBE, CRADLE PAD SUPPORT 36"
10	6	002-04285-00	CLAMP, BUNK (MALE)
11	2	111-00359-00	WELDMENT, BUNK TUBE CLAMP
12	2	111-00360-00	WELDMENT, BUNK TUBE CLAMP, RH
13	2	111-00361-00	WELDMENT, BUNK TUBE CLAMP, LH



Step 1

- Locate the (4) center cradle pad assemblies (2) on the front cradle beam and (2) on the rear cradle beam so that the keel of the boat is a max. of 1" above the cradle beams. Once the cradle pads are in the desired location torque the 3/8 x 4" bolts to 35 ft./lbs. **NOTE:** Due to the large variety of hull designs, cradle pad placement will vary. Pads must be placed to utilize the chine of the hull for proper support. The 36" support tubes may need to be cut off to allow full cradle travel once proper placement is established.



Step 2

- Once the center cradle pad assemblies have been located, attach the outer cradle pad assemblies to the front cradle to provide support and stability for your boat. Once the cradle pads are in the desired location torque the 3/8 x 4" bolts to 35 ft./lbs. Adjust the height of the support tube and torque the 5/8 x 1" bolts to 70 ft./lbs.

BUNK/CRADLE PAD DISCLAIMER

DUE TO THE LARGE VARIETY OF BOAT HULL DESIGNS, WE STRONGLY RECOMMEND THAT YOU CONSULT WITH YOUR BOATS MANUFACTURER TO INSURE THAT YOU ARE SUPPORTING YOU BOAT PROPERLY TO AVOID ANY POTENTIAL DAMAGE.