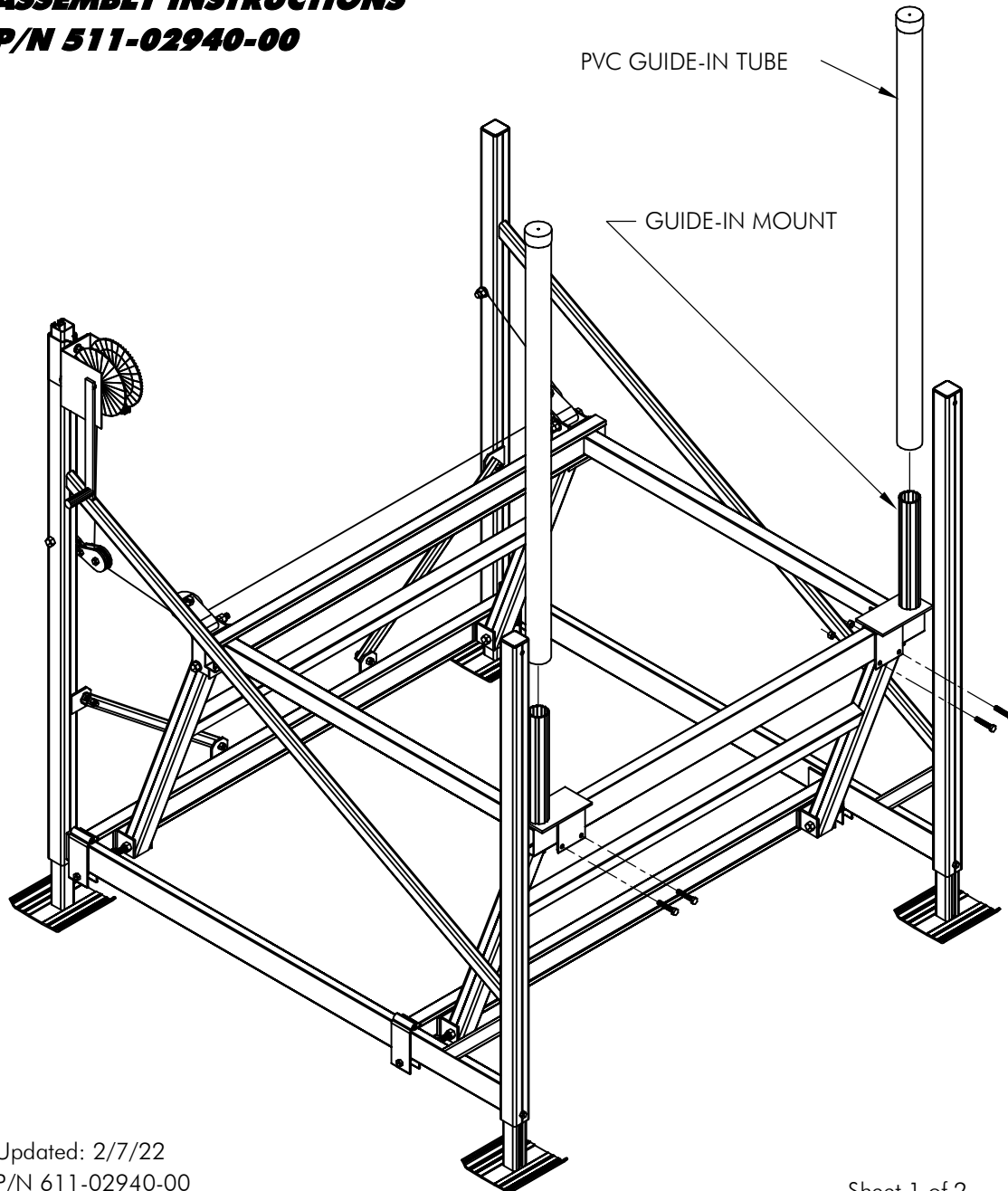


SINGLE VERTICAL PVC GUIDE-IN SYSTEM

P-1200, P-1600, PWC-1300

ASSEMBLY INSTRUCTIONS

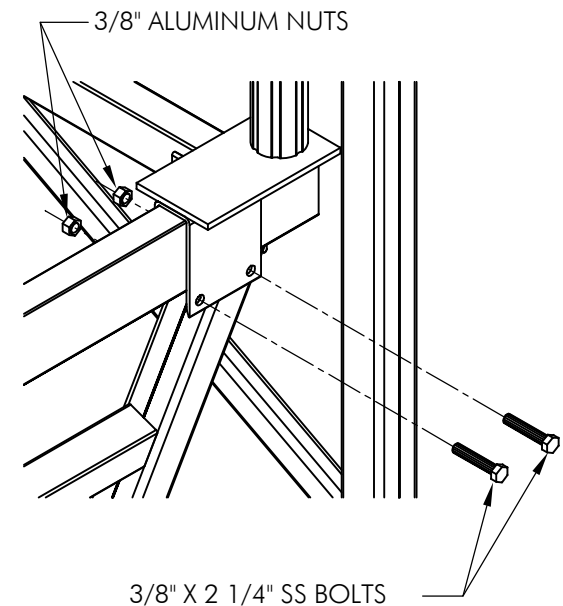
P/N 511-02940-00



Tools Required

- (2) 9/16" Sockets/Wrenches
- Tape Measure
- Torque Wrench

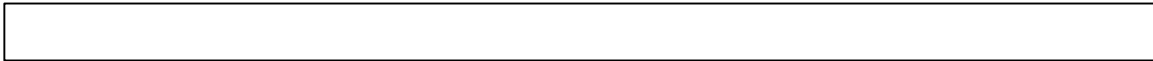
1. Place guide-in mounts on cradle beam as shown and fasten with 3/8" x 2 1/4" stainless steel bolts and aluminum nuts. Torque to 35 ft-lb.
2. Install PVC guide-in tubes on guide-in mounts as shown.



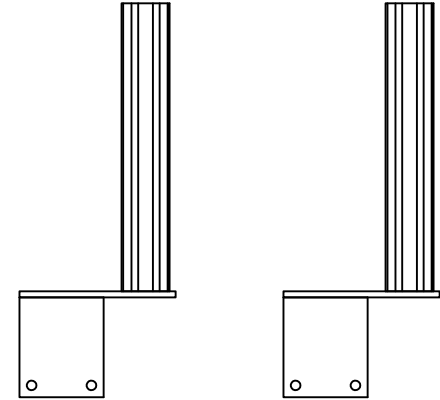
CONTENTS OF:

P-1200, P-1600 & PWC-1300 SINGLE VERTICAL PVC GUIDE-IN

KIT P/N 511-02940-00



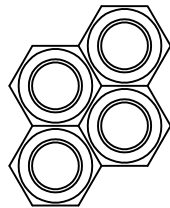
(2) PVC GUIDE-IN TUBES WITH CAPS - P/N 511-02942-00



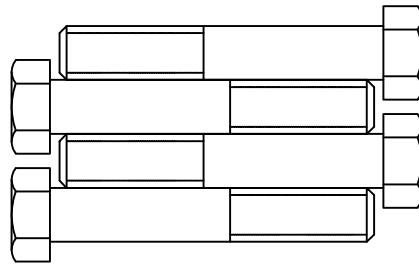
(2) GUIDE-IN MOUNTS - P/N 111-00270-00

FASTENERS FOR:

P-1200, P-1600 & PWC-1300 SINGLE VERTICAL GUIDE-IN



P/N 001-76349-00
(4) 3/8" NUTS



P/N 001-70112-00
(4) 3/8" x 2 1/4" BOLTS
TORQUE TO 35 ft. lbs.

1/12/04
511-02940-00
007-11823-00

(1) FASTENER KIT - P/N 511-04235-00