

DOUBLE VERTICAL PVC GUIDE-IN SYSTEMS

V2000-VSD5000 LIFTS

ASSEMBLY INSTRUCTIONS

KIT P/N 511-02920-00

Tools Required

- (2) 9/16" Sockets/Wrenches
- Tape Measure
- Torque Wrench

1. Attach the tube clamp bracket to the cradle beam using the 3/8" x 3" bolts and nuts. See Fig. 1.
2. Once you have placed the brackets in their final location, torque bolts to 35 ft. lbs.

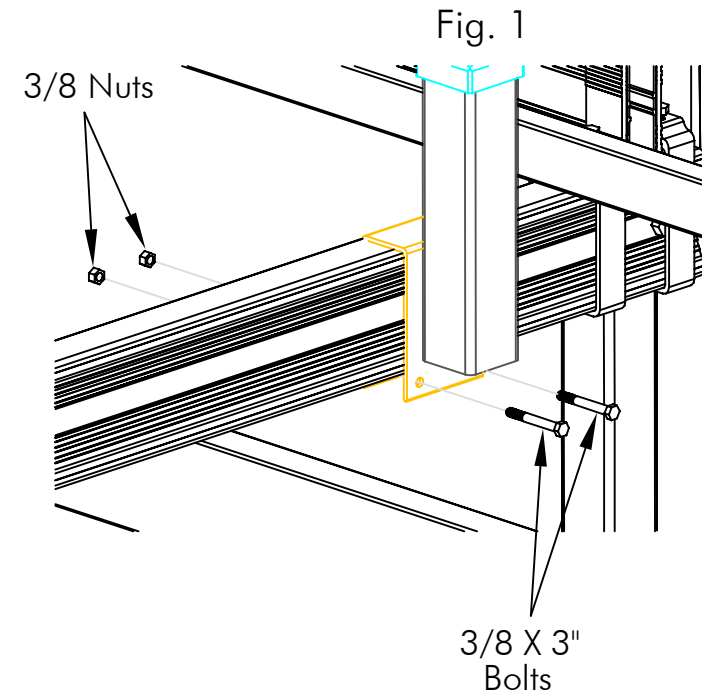
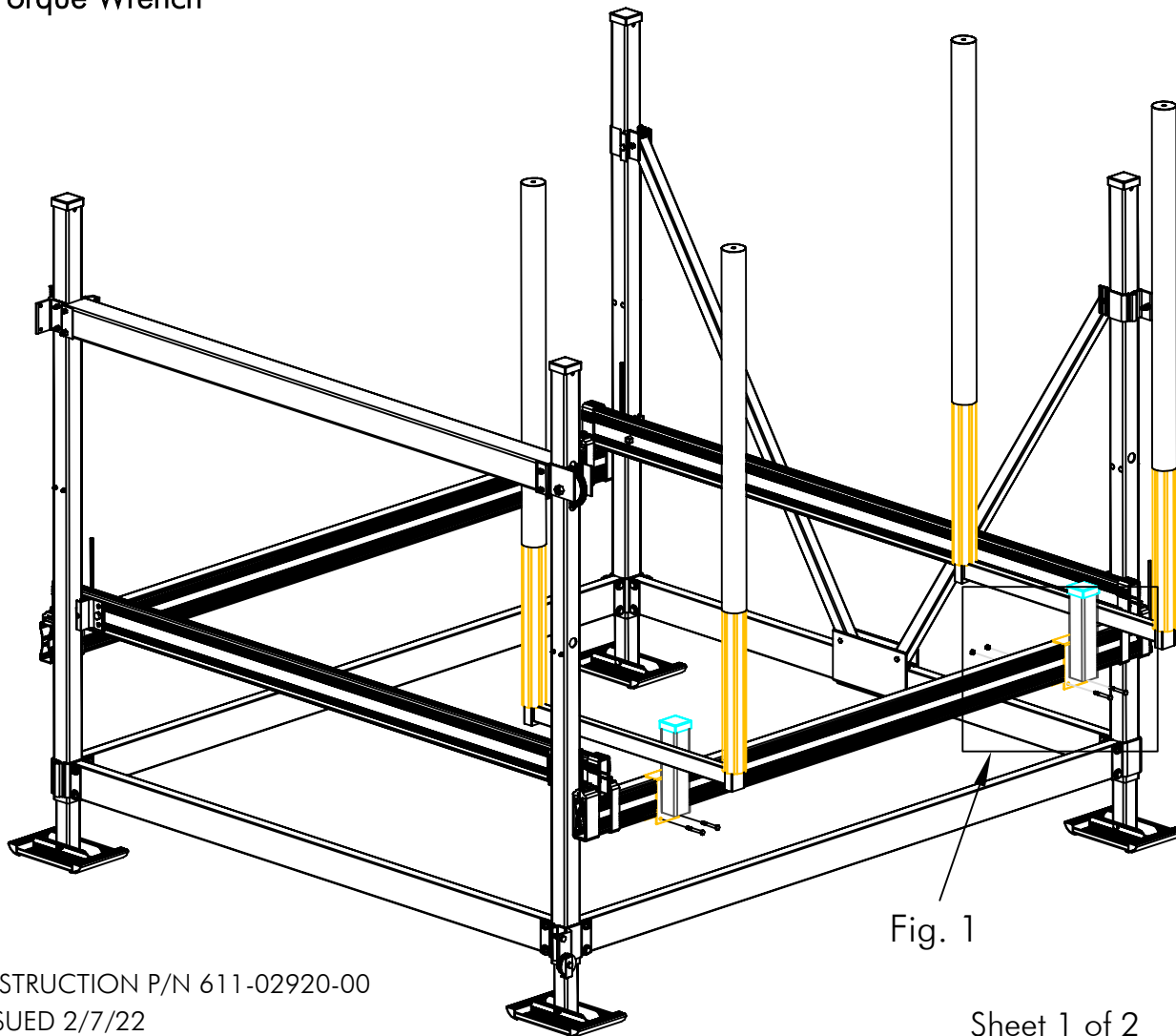


Fig. 1

DOUBLE VERTICAL PVC GUIDE-IN SYSTEMS EXPLODED VIEW

NO.	PART NO.	QTY.	DESCRIPTION
1	111-00193-00	1	WELDMENT, DOUBLE GUIDE-IN (L)
2	111-00194-00	1	WELDMENT, DOUBLE GUIDE-IN (R)
3	958-00502-00	4	TUBE, 3.381 DIA. PVC - 60"
4	511-02850-00	2	COVER, GREY SDP (PAIR)
5	001-70115-00	4	HHCS, 3/8-16 x 3" 18-8 SS
6	001-76349-00	4	NUT, 3/8 16 ALUMINUM
7	001-05700-00	2	RIVET, 3/16" x 1/2"
8	006-15200-00	2	VINYL CAP, 3" SQ.

