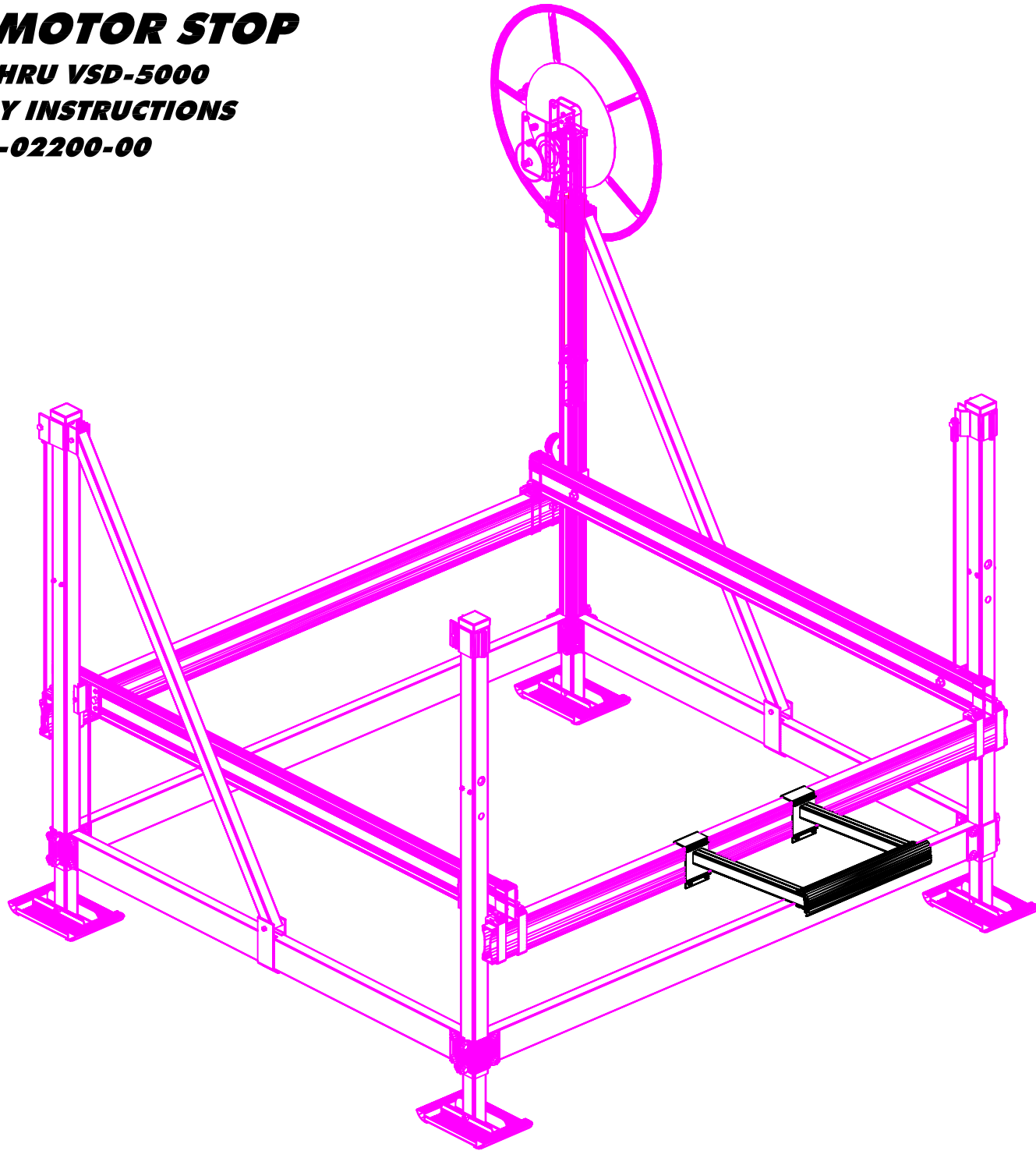


FLOE MOTOR STOP

V-2000 THRU VSD-5000

ASSEMBLY INSTRUCTIONS

P/N: 511-02200-00



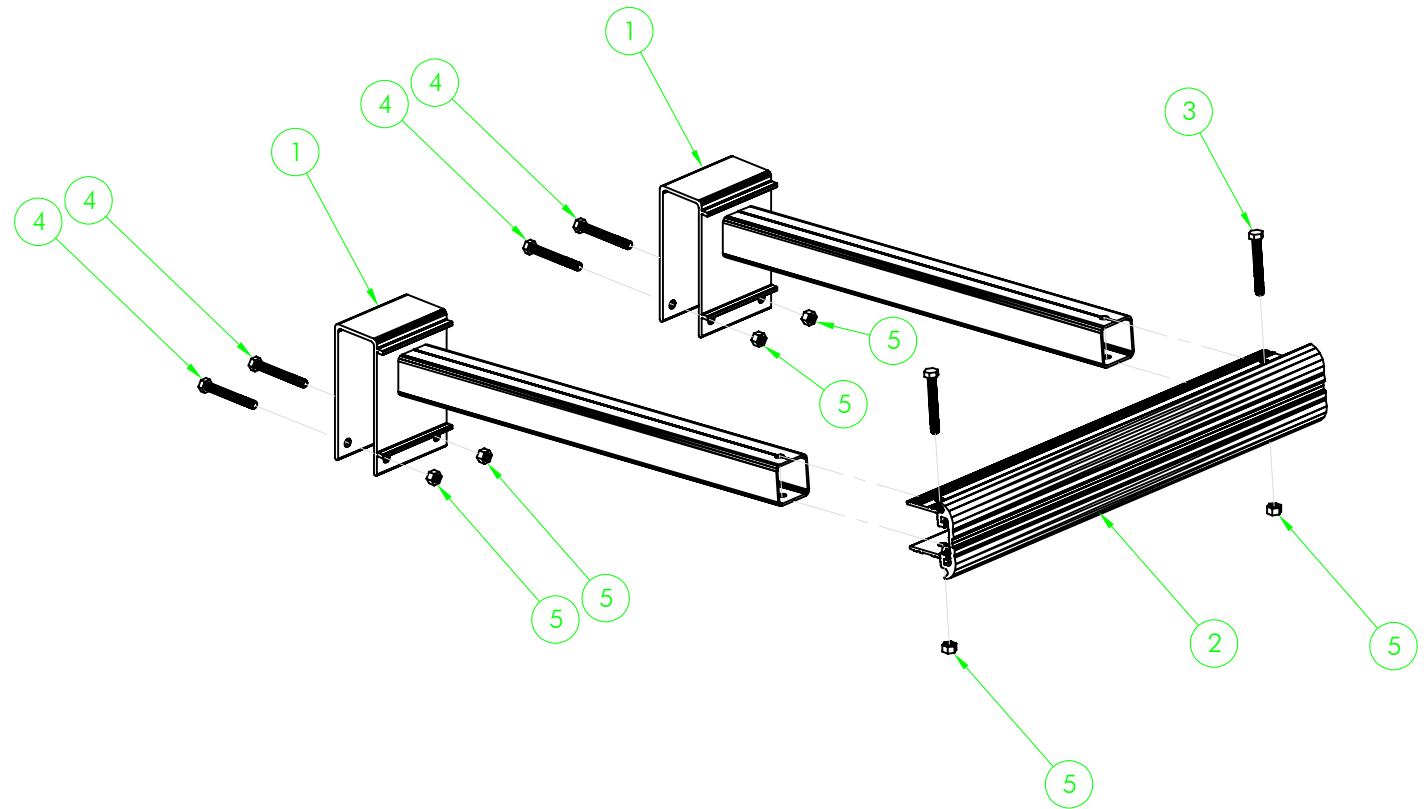
Manufactured by:
Floe International Inc.
48473 State Hwy. 65
McGregor, MN 55760
www.floeintl.com

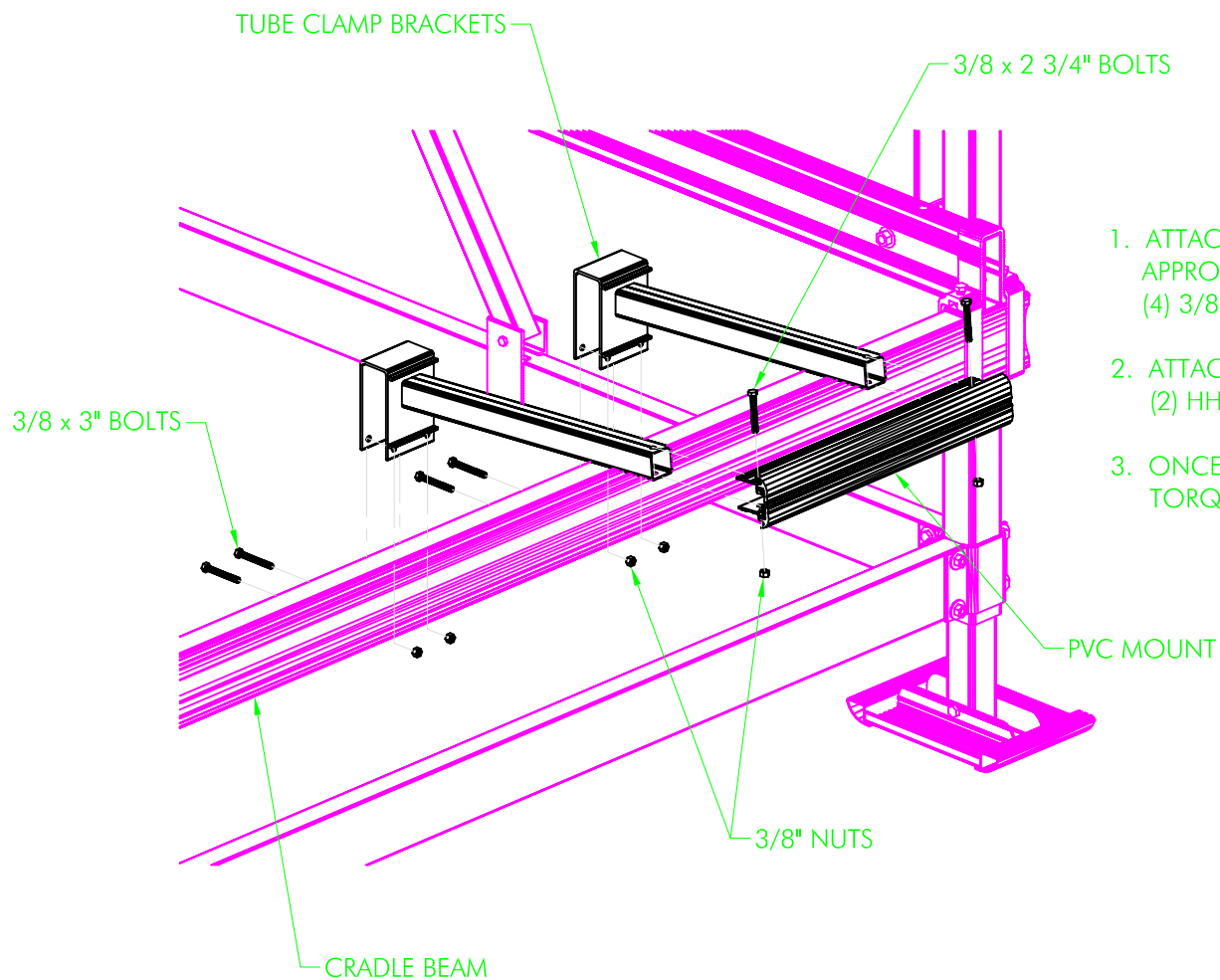
MOTOR STOP EXPLODED VIEW

P/N: 511-02200-00

ITEM	QUANTITY	PART NO.	DESCRIPTION
1	2	111-00062-00	WELDMENT, MOTOR STOP
2	1	111-00167-00	ASSY MOTOR STOP - PVC MOUNT
3	2	001-70114-00	HHCS, 3/8-16 x 2 3/4" 18-8 SS
4	4	001-70115-00	HHCS, 3/8-16 x 3" 18-8 SS
5	6	001-76349-00	NUT, 3/8-16 ALUMINUM

Tools Required
-(2) 9/16" Sockets/Wrenches
-Tape Measure
-Torque Wrench





1. ATTACH THE TUBE CLAMP BRACKETS TO THE CRADLE BEAM, SPACED AT APPROXIMATELY 16 1/2" APART, USING THE (4) HHCS, 3/8-16 x 3" AND (4) 3/8" NUTS. HAND TIGHTEN ONLY.
2. ATTACH THE PVC MOUNT TO THE CLAMP BRACKETS AS SHOWN USING (2) HHCS, 3/8-16 x 2 3/4" AND (2) 3/8" NUTS. TORQUE TO 25 FT./ LBS.
3. ONCE YOU HAVE PLACED THE BRACKET IN THEIR FINAL LOCATION, TORQUE TO 35 FT. / LBS.