

DOUBLE VERTICAL PVC GUIDE-IN SYSTEMS

6000-8000 LIFTS

ASSEMBLY INSTRUCTIONS

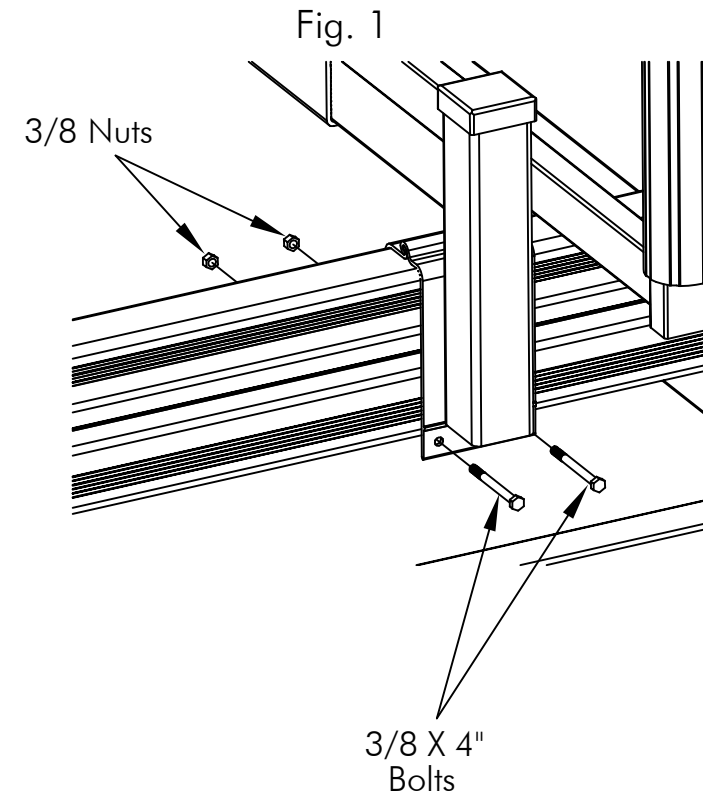
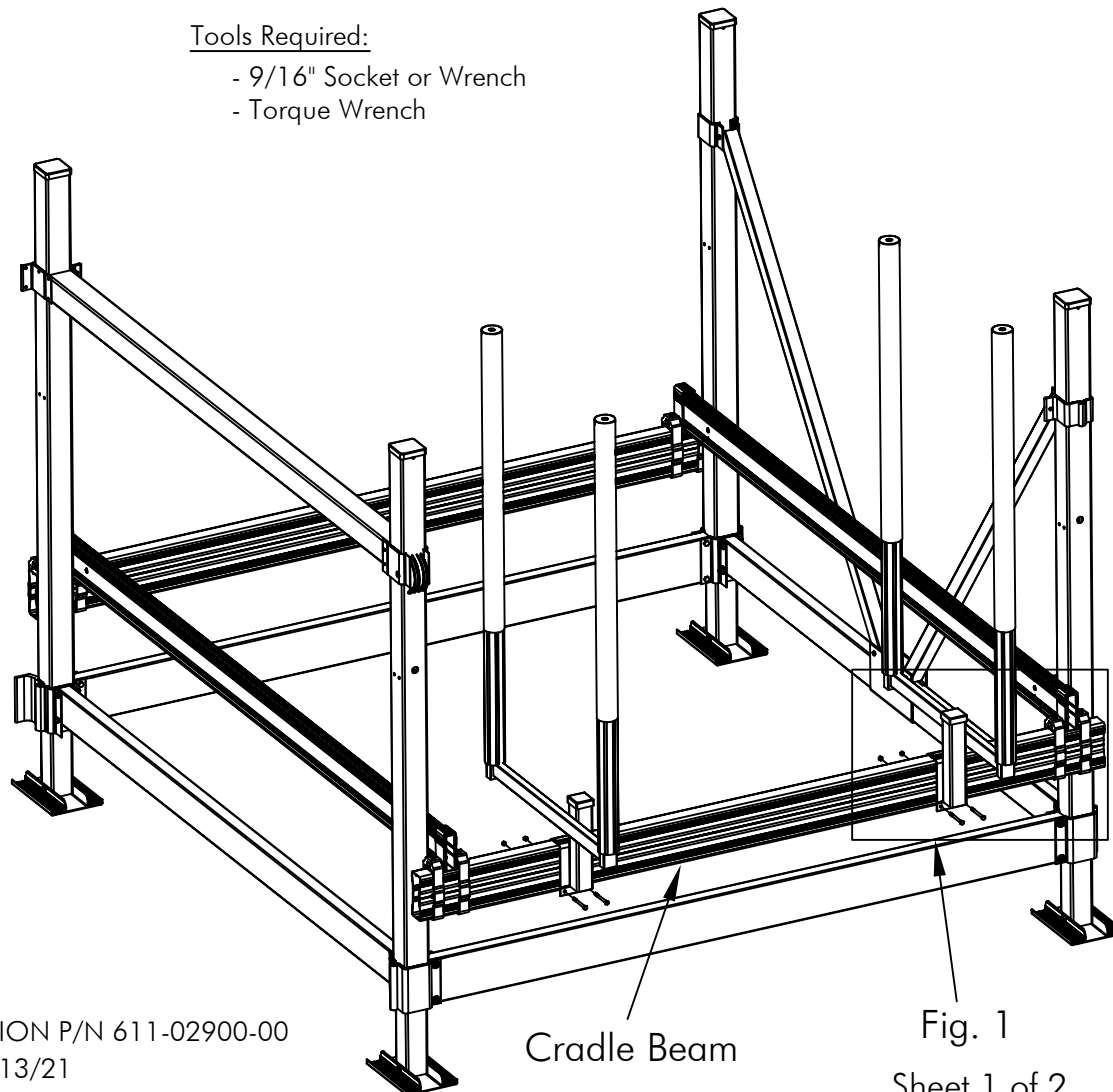
KIT P/N 511-02900-00



1. Attach the tube clamp bracket to the cradle beam using the 3/8" x 4" bolts and nuts. See Fig. 1.
2. Once you have placed the brackets in their final location, torque bolts to 35 ft. lbs.

Tools Required:

- 9/16" Socket or Wrench
- Torque Wrench



DOUBLE VERTICAL PVC GUIDE-IN SYSTEMS EXPLODED VIEW

NO.	PART NO.	QTY.	DESCRIPTION
1	111-00191-00	1	WELDMENT, DOUBLE GUIDE-IN (L)
2	111-00192-00	1	WELDMENT, DOUBLE GUIDE-IN (R)
3	002-04285-00	2	CLAMP, BUNK CRADLE (MALE)
4	958-00501-00	4	TUBE, 3.381 DIA. PVC - 78"
5	511-02850-00	2	COVER, GREY SDP (PAIR)
6	001-70119-00	4	HHCS, 3/8-16 x 4" 18-8 SS
7	001-76349-00	4	NUT, 3/8 16 ALUMINUM
8	001-05700-00	2	RIVET, 3/16" x 1/2"
9	006-15200-00	2	VINYL CAP, 3" SQ.

