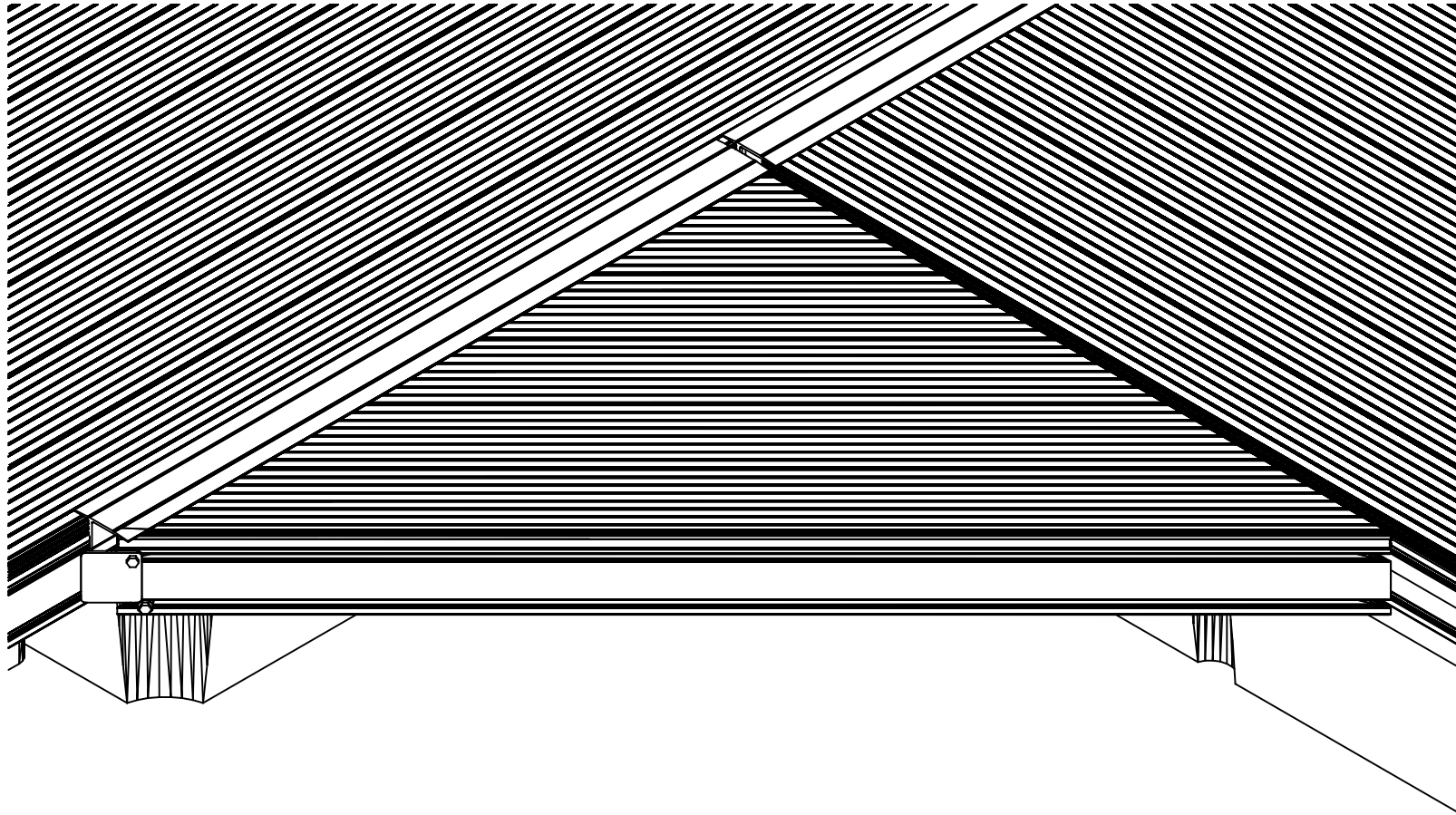


FLOE FLOATING DOCK 3' WEDGE KIT

ASSEMBLY INSTRUCTIONS

P/N 510-05351-00



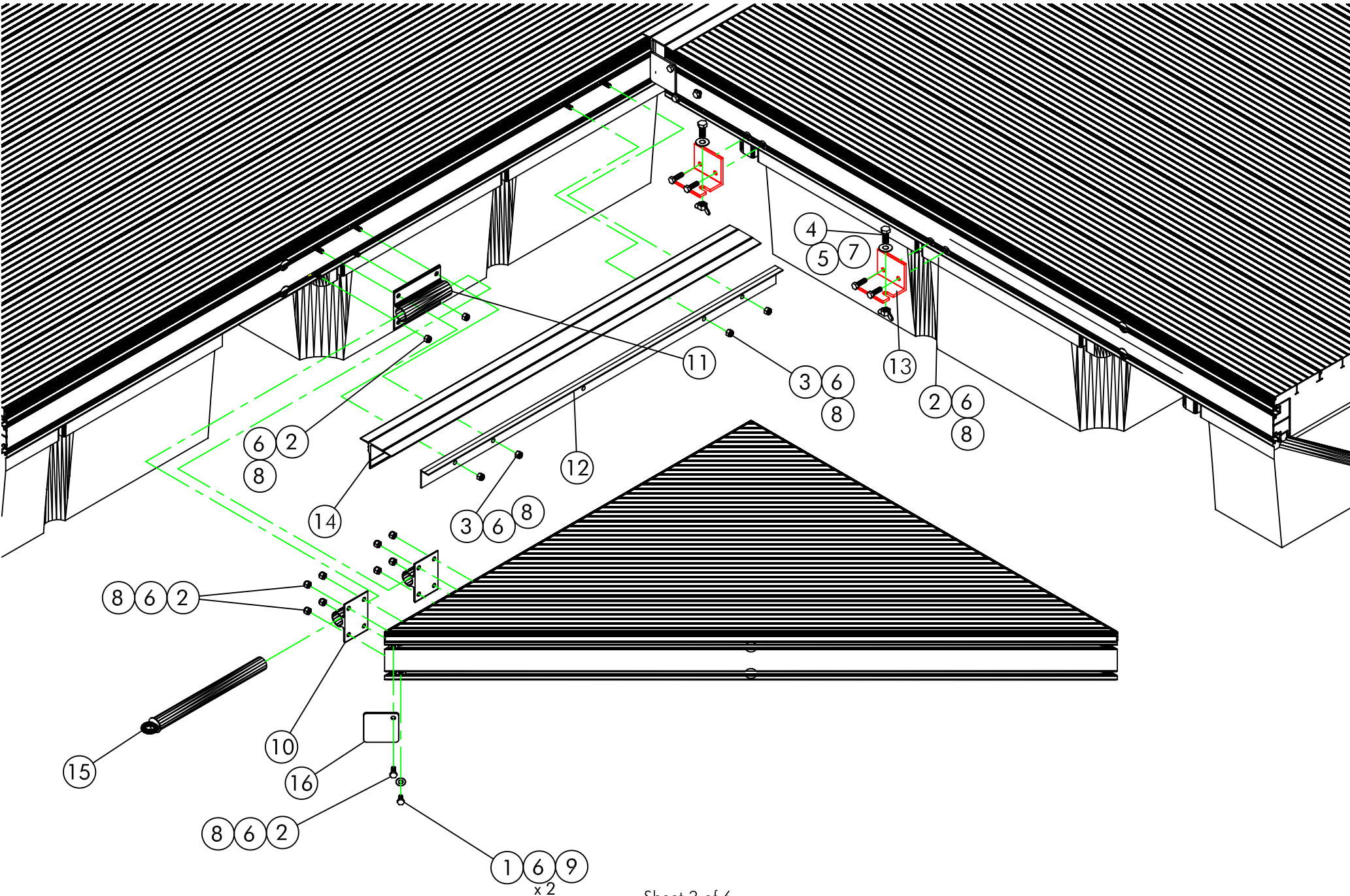
TOOLS REQUIRED:

- 9/16" Wrench or Socket
- Torque Wrench

WEDGE EXPLODED VIEW

<u>ITEM</u>	<u>PART NO.</u>	<u>QTY</u>	<u>DESCRIPTION</u>
1	001-70103-00	1	3/8" x 3/4" bolt ss
2	001-70105-00	15	3/8" x 1" bolt ss
3	001-70109-00	4	3/8" x 1 1/2" bolt ss
4	001-70207-00	2	1/2" x 1 1/4" bolt ss
5	001-70914-00	2	1/2" Wing Nut ss
6	001-71017-00	22	3/8" Flatwasher ss
7	001-71021-00	2	1/2" Flatwasher ss
8	001-76071-00	20	3/8" Nylock Nut
9	001-76349-00	1	3/8" Nut Aluminum
10	002-02512-00	2	3" Hinge Plate
11	002-02526-00	1	6" Hinge Plate
12	002-02531-00	1	3' Trim plate
13	002-04407-00	2	Angle, Wedge mount
14	010-04904-00	1	3' Trim
15	110-00028-00	1	Hinge Rod
16	002-02525-00	1	Hinge Plate

WEDGE EXPLODED VIEW



STEP 1

Determine the location of the hinge section of wedge. Be sure to attach hinge to the same dock side frame as the hinged dock section. Put a small pencil line 44 5/8" over from existing dock section. Insert (4) 3/8" x 1 1/2" bolts w/ (4) 3/8" flatwashers into the upper nut track. Slide (2) bolts with washers towards dock intersection. Insert (2) 3/8" x 1" bolts w/ (2) 3/8" flatwashers into lower nut track. Place the 6" hinge plate over the (2) 1 1/2" bolts in upper nut track farthest from the dock intersection & the (2) 1" bolts in the lower nut track. Now slide the 4" trim over the same (2) bolts & remaining (2) bolts installed earlier. Follow the same procedure with the 4" trim plate. See Fig. 4B. Align the farthest edge of the 6" hinge with the pencil line and install & tighten (6) 3/8" nylock nuts to 40 ft/lbs. See Fig. 4A.

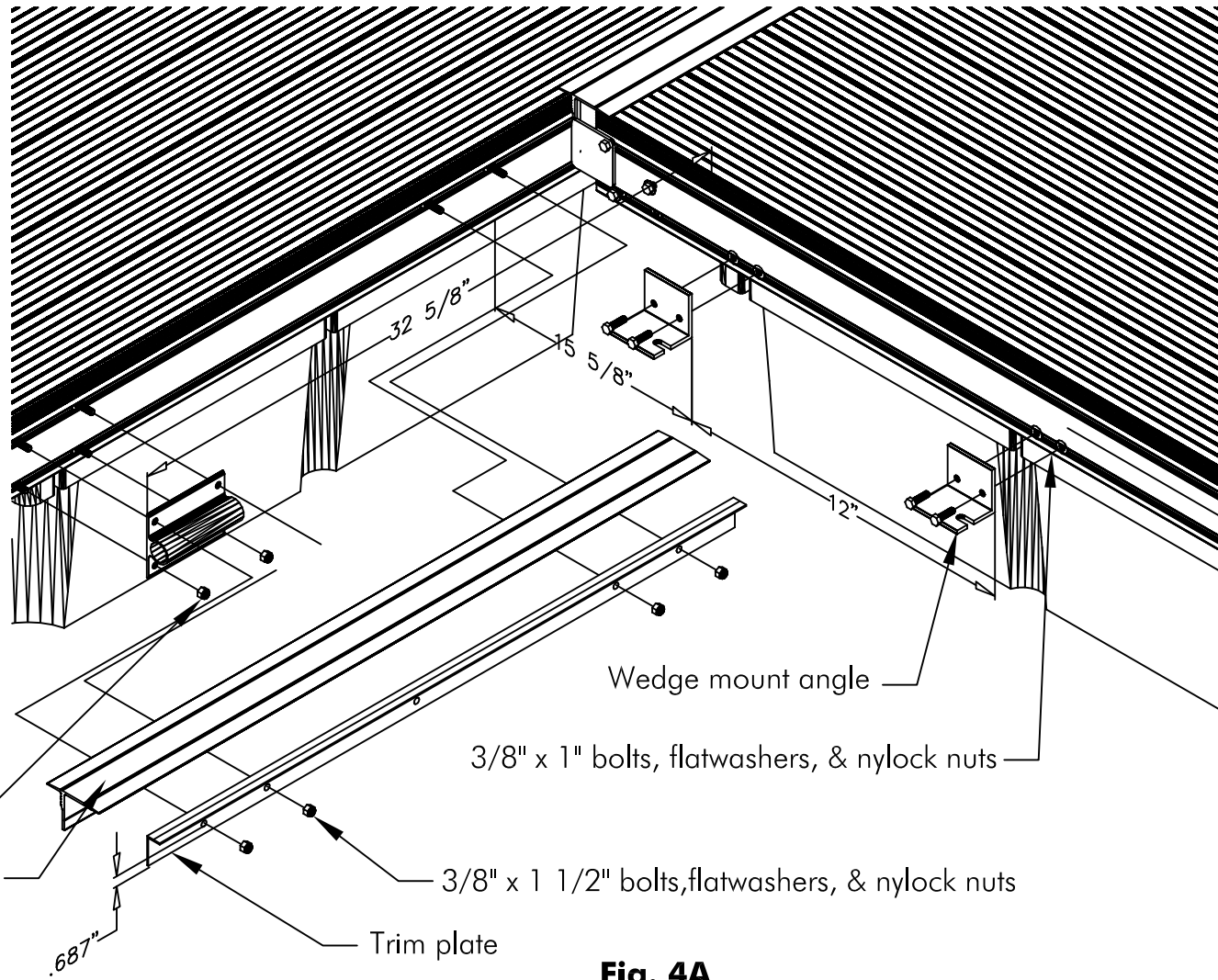


Fig. 4A

STEP 2

Insert (2) 3/8" x 1" bolts through each wedge mount angle and put a 3/8" flatwasher, & nylock nut on each bolt just finger tight. Insert the flatwashers, & nylock nuts into the lower nut track on the adjacent dock section. Position the wedge mount angles per dimensions in Fig. 4A. Tighten to 40 ft./lbs.

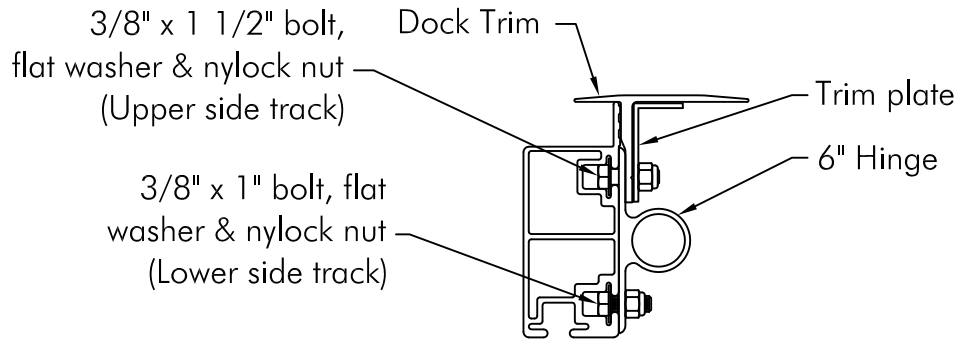


Fig. 4B

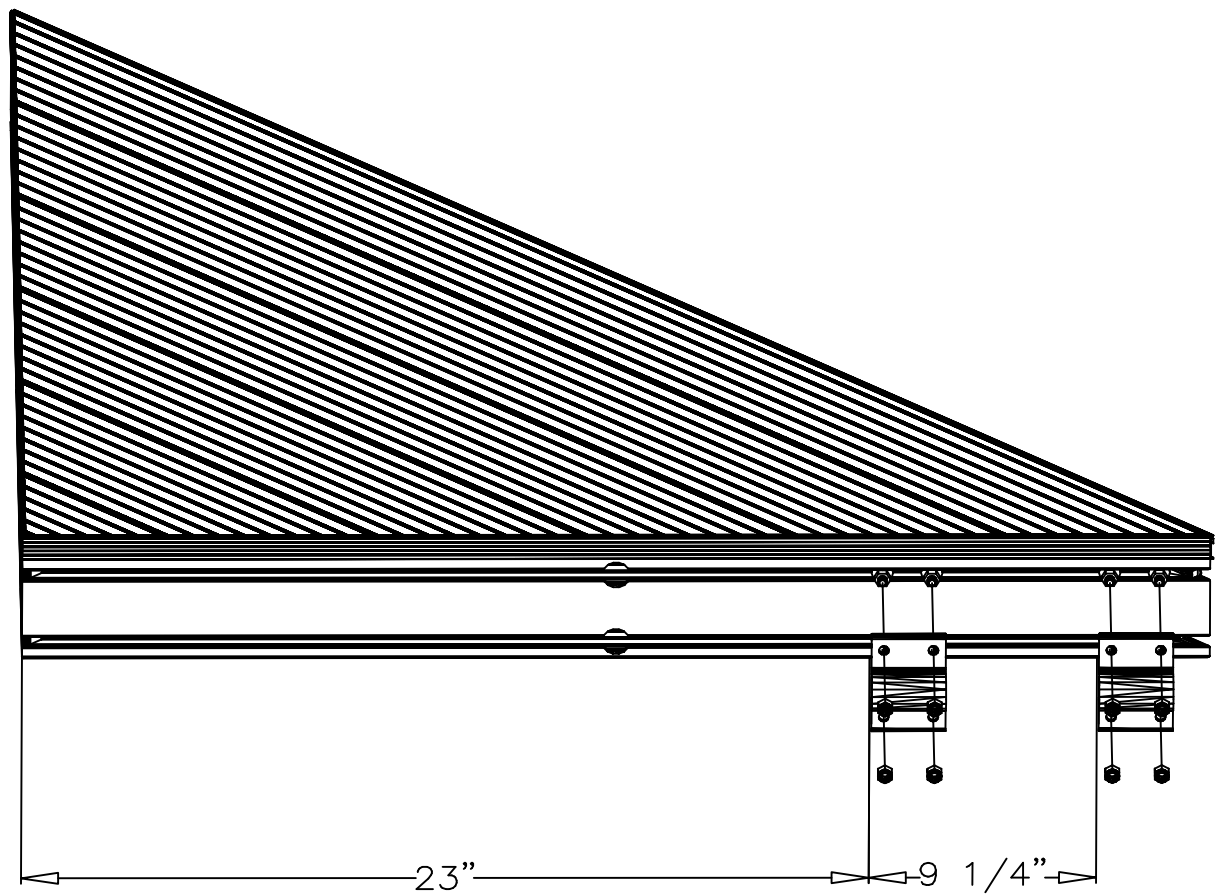


Fig. 5A

STEP 3

Determine the location of the 3" hinge sections to be attached to the wedge. Insert (4) 3/8" x 1" bolts w/ (4) 3/8" flatwashers into the upper nut track. Repeat the same procedure in the lower nut track. Insert (2) bolts with flatwashers from the upper nut track, & (2) bolts with flatwashers through the 3" hinge section. Thread (1) 3/8" nylock on each bolt. Follow the same procedure with the other 3" hinge section. Locate the 3" hinge sections with the dimensions shown in Fig. 5A & tighten (8) 3/8" nylock nuts to 40 ft/lbs.

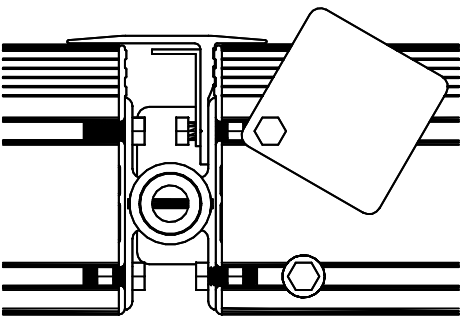


Fig. 6B

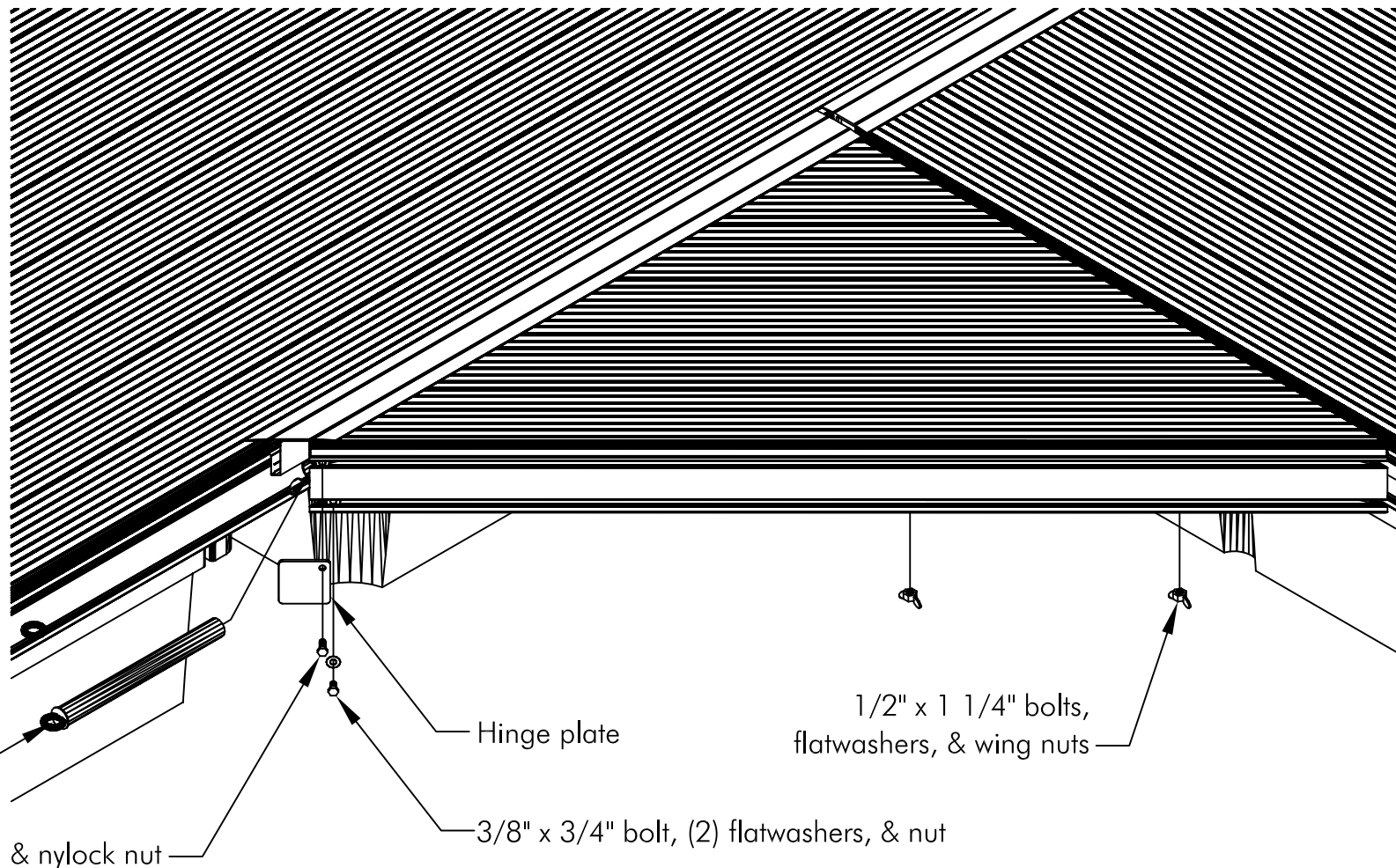


Fig. 6A

STEP 4

Attach the hinge plate to the wedge side using a 3/8" x 1" bolt, flat washer and nylock nut. The nut and flat washer are inserted into the upper nut track and slid to the end. Bolt should be tightened so that plate can still pivot. Insert a 3/8" nut & flatwasher into the lower nut track and slide to end. Thread a 3/8" x 3/4" bolt and flatwasher into the nut as shown in Fig. 6A. This will act as a stop for the plate. Torque to 40 ft./lbs. Insert (2) 1/2" x 1 1/4" bolts, flatwashers & 1/2" wing nuts into the nut track on the bottom side of the wedge and finger tighten to hold them in place. These will be used later to secure the wedge to the wedge angle mounts. Place the dock wedge so that it rests on the wedge mount angles and under the dock trim. Flip open the hinge plate and insert the hinge pin through the 3" & 6" hinges. See Fig. 6A & 6B. Close the hinge plate to prevent the hinge pin from coming out. Torque the 3/8" bolts to 40 ft./lbs. Now loosen the 1/2" wing nuts and slide them into the slots in the wedge mount angles and tighten them as tight as possible. See Fig. 6A.