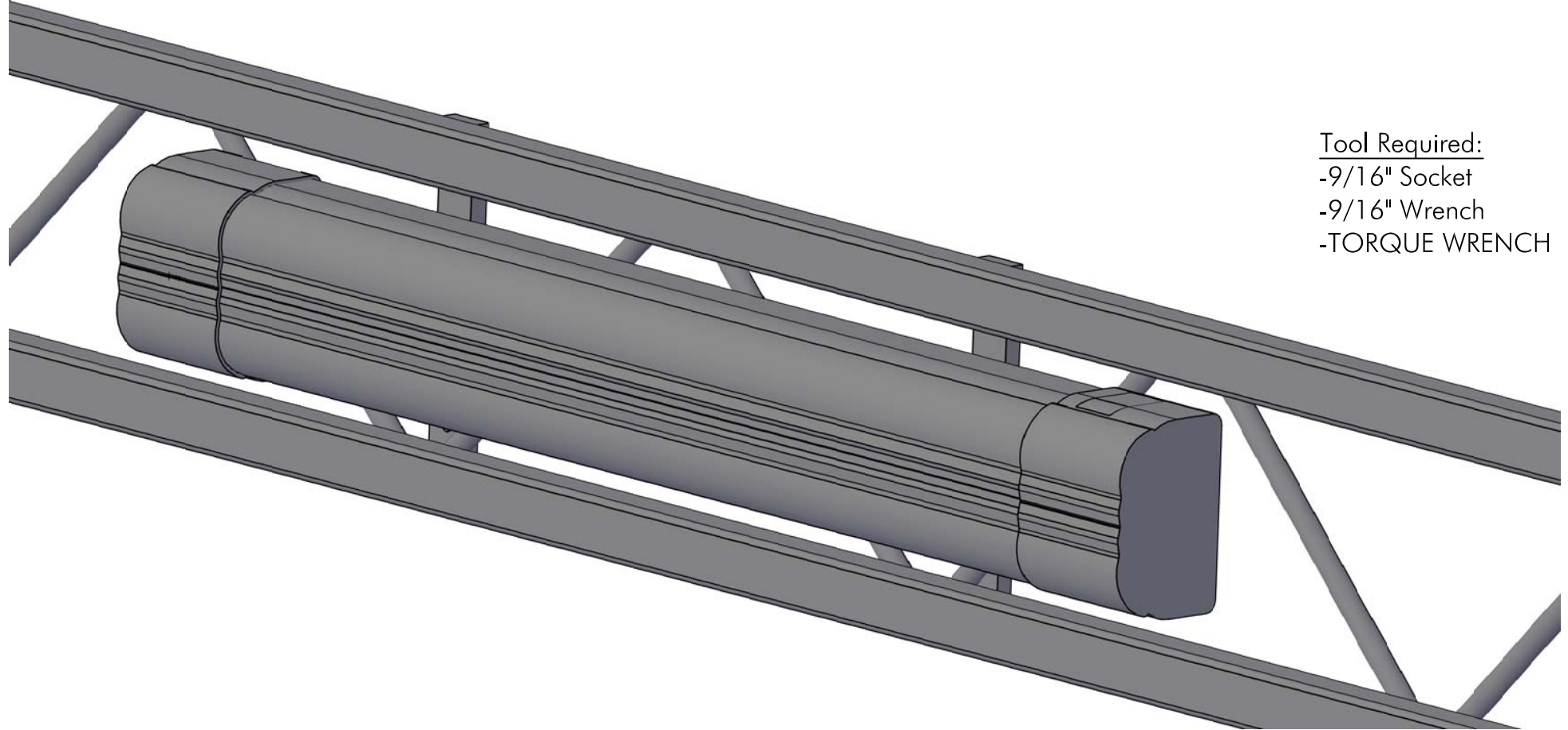


# **FLOE HORIZONTAL BUMPER ADD ON KIT INSTALLATION INSTRUCTIONS**

**KIT P/N 510-03003-00**

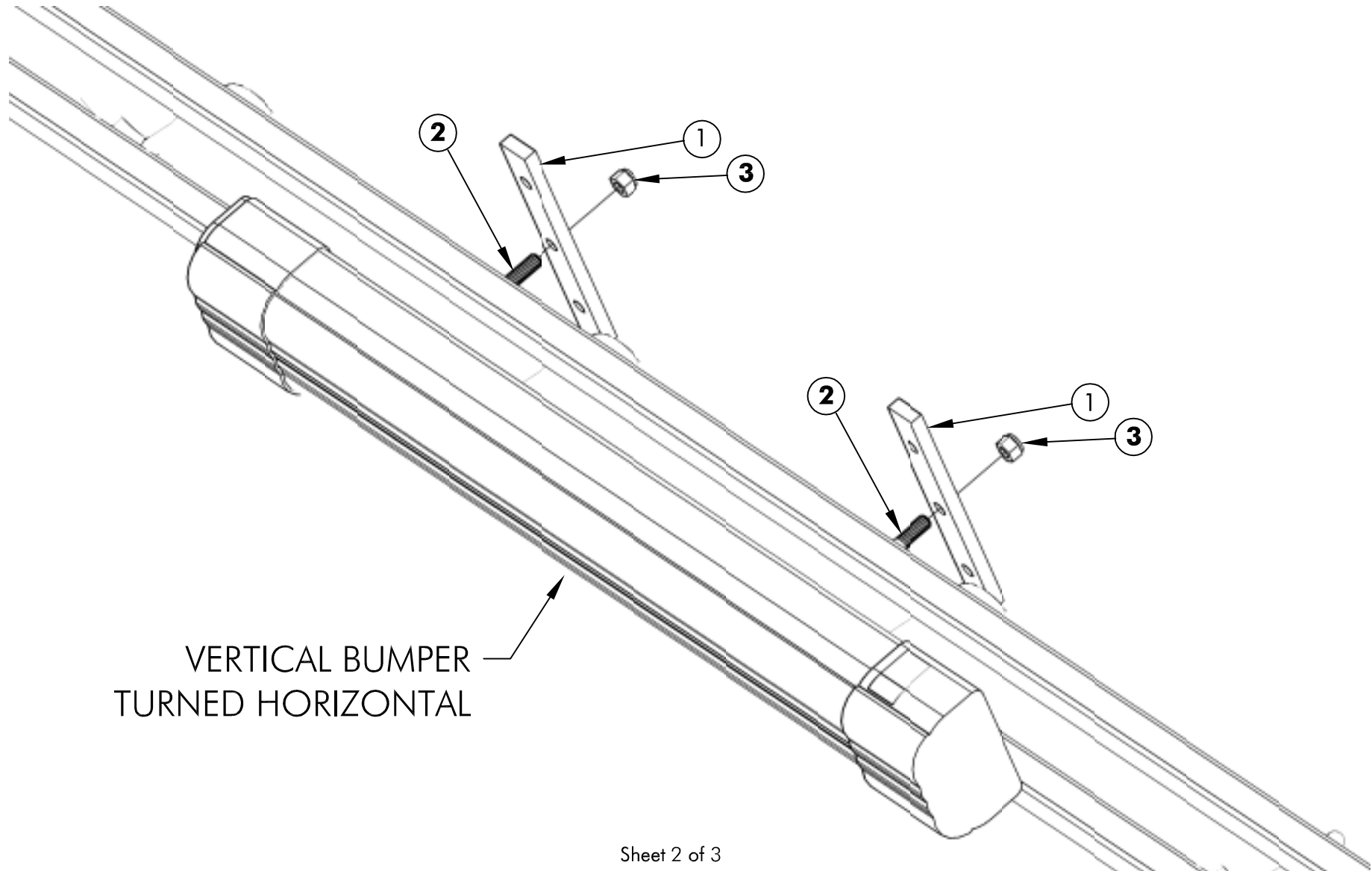


- Tool Required:
- 9/16" Socket
  - 9/16" Wrench
  - TORQUE WRENCH

# Horizontal Bumper Exploded View

P/N 510-03003-00

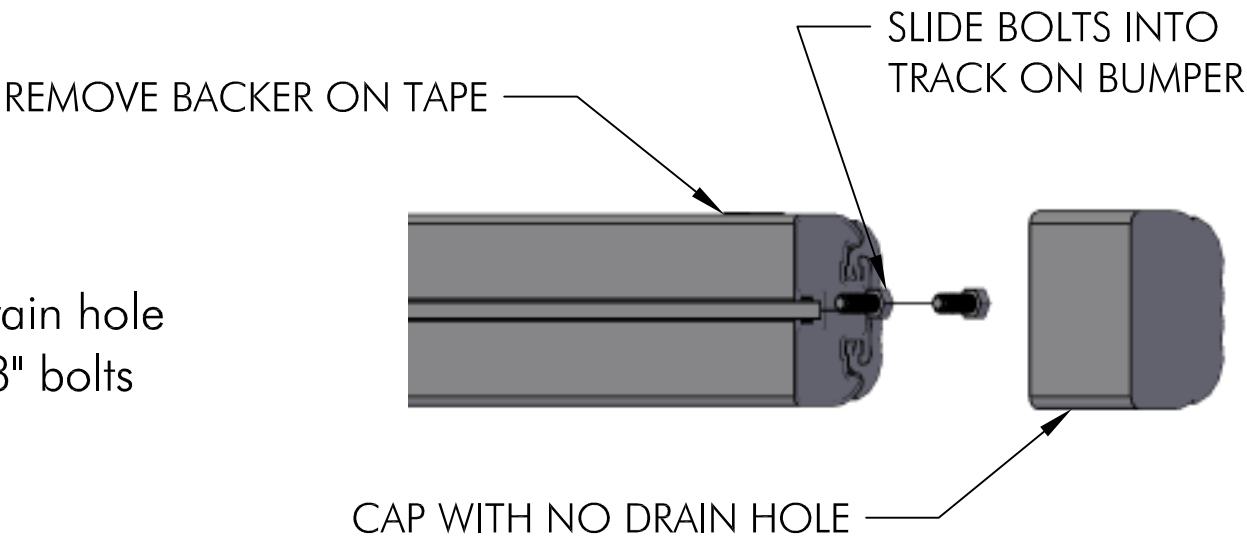
NO.	PART NO.	QTY.	DESCRIPTION
1	002-02203-01	2	Plate, Dock Accessory
2	001-70107-00	2	HHCS, 3/8-16 x 1 1/4" 18-8 ss
3	001-76071-00	2	Nut, Nylock 3/8"-16 Alum.



VERTICAL BUMPER  
TURNED HORIZONTAL

**Step 1**

Slide the end cap without the drain hole off the bumper and slide (2) 3/8" bolts into the track on the bumper.



**Step 2**

Remove the backing from the tape and slide the cap back on. Pull the sides of the cap out while sliding the cap over the tape.

**Step 3**

Attach the bumper to the two brackets provided using the (2) bolts and nuts as shown. With the location of the drain hole on the cap to be the bottom side.

