

SINGLE LAKE ACCESSORY RACK

ASSEMBLY INSTRUCTIONS

KIT P/N 510-41570-00



FOR QUICK ATTACH™ DOCK (510-02572-00 KIT),
QUICK ATTACH™ BRACKET, VERTICAL BUMPER
LAKE ACCESSORY IS REQUIRED.

TOOLS REQUIRED

- 9/16" SOCKET/WRENCH (2)
- TORQUE WRENCH
- TAPE MEASURE
- CORDLESS DRILL
- 3/8" DRILL BIT

INSTRUCTION P/N 610-41570-00
ISSUED: 1/22/18
REV: 6/18

©FLOE INTERNATIONAL, INC.
48473 STATE HWY. 65
MCGREGOR, MN 55760
WWW.FLOEINTL.COM
ALL RIGHTS RESERVED.

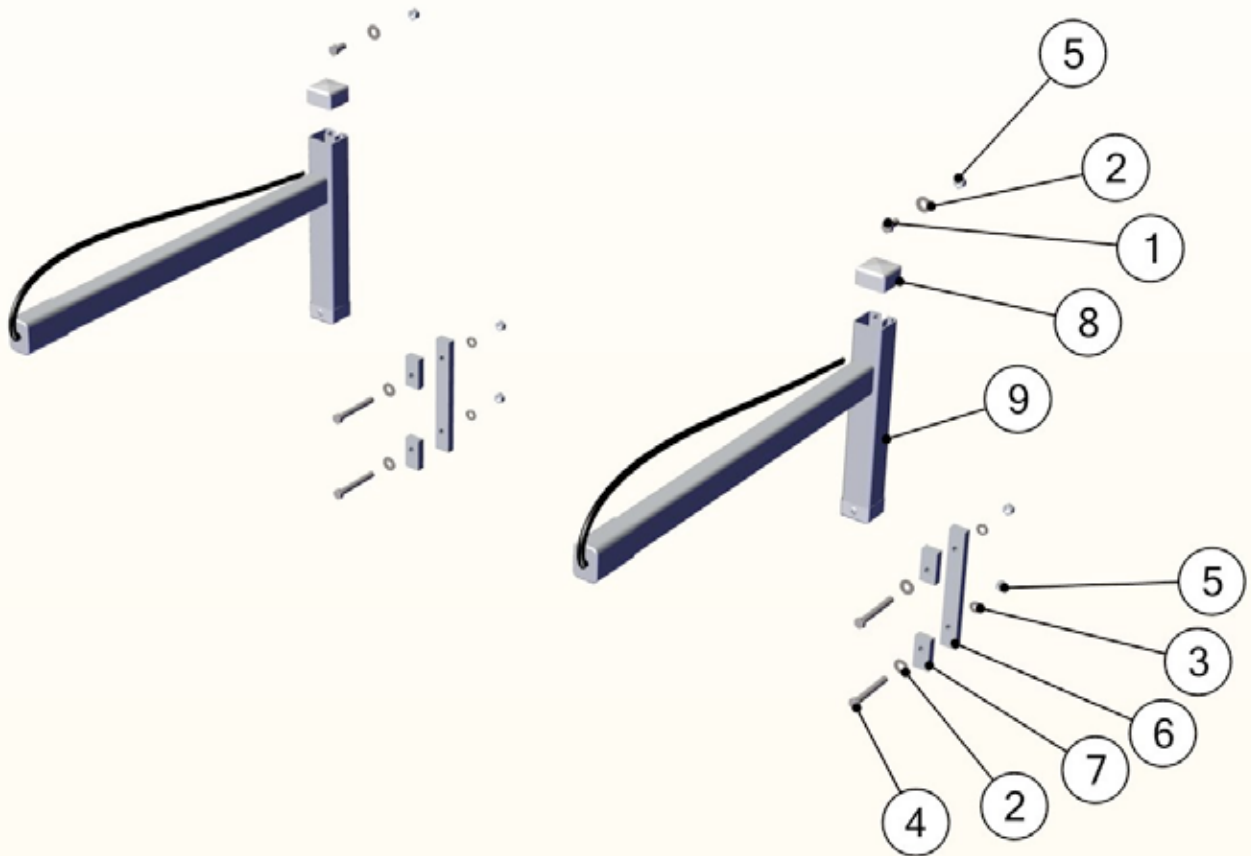
FLOE SINGLE LAKE ACCESSORY RACK

EXPLODED VIEW AND PARTS LIST

KIT P/N 510-41570-00

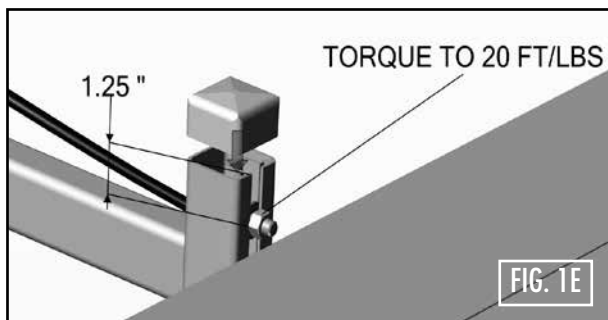
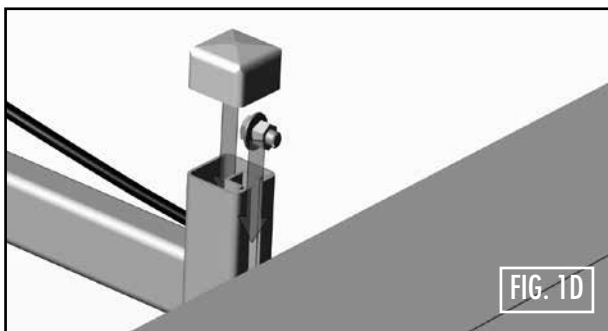
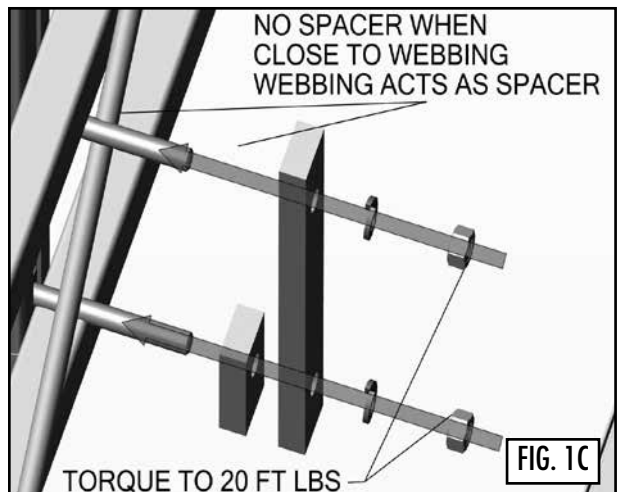
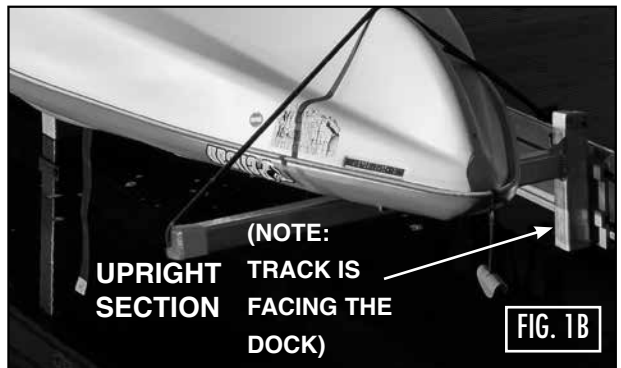
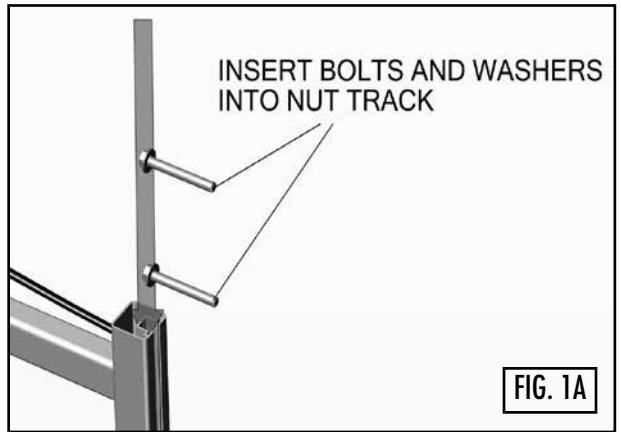
510-41570-00

P/N 510-41570-00	RACK, SINGLE WATER ACCESSORY		
<u>NUMBER</u>	<u>PART NUMBER</u>	<u>DESCRIPTION</u>	<u>QTY.</u>
1	001-70103-00	HHCS, 3/8-16 X 3/4" 18-8 SS	4
2	001-71017-00	FLATWASHER, 3/8" SAE SS 18-8	8
3	001-71067-00	LOCKWASHER, 3/8" S/W SS 18-8	4
4	001-71191-00	HHCS, 3/8-16 X 3" SS FULL THREAD	4
5	001-76349-00	NUT, 3/8-16 ALUM	8
6	002-02203-00	PLATE, DOCK ACCESSORY	2
7	002-02204-00	SPACER, DOCK ACCESSORY	4
8	010-00310-00	CAP, GREY 1.7 X 1.7 X 1 W/ VHB	2
9	110-00123-00	ASS'Y, SINGLEWATER ACCESSORY RACK	2



STEP 1: ROLL-IN DOCK INSTALLATION

- Place two flat washers (001-71017-00) onto two 3" full thread bolts (001-71191-00).
 - Insert the bolts & washers into the track of the upright section of the Accessory Rack (110-00123-00). See FIG. 1A.
 - Slide bolts through the track on the dock-facing side of the upright section. Slide spacers (002-02203-00) and a plate (002-02204-00) onto the bolts. See FIG. 1B.
 - **NOTE:** No spacer is necessary if webbing on side of dock is close to the bolt. In this case, the webbing will act as a spacer. See FIG. 1C.
 - Slide lock washers (001-71067-00) over the bolts and secure with aluminum nuts (001-76349-00). Torque aluminum nuts 20 FT/LBS. See FIG. 1C.
 - Insert bolt and washers into the track from top of upright section. Secure with an aluminum nut about 1.25" from the top of the rack. Torque to 20 FT/LBS. See FIG 1D & 1E.
 - Peel plastic backing off tape on cap & place cap onto upright sections. See FIG 1F.
- NOTE:** Tape must be on opposite side of nut track - facing away from the dock.
- Decide spacing for supports and repeat above steps for second upright.



STEP 2: SECTIONAL DOCK INSTALLATION

- Drill four 3/8" holes into side of the sectional dock, using the two upper indicator lines as guides. Space holes to desired width of the rack. See FIG 2A.
 - Place two flat washers (001-71017-00) onto two 3" full thread bolts (001-71191-00).
 - Insert the bolts & washers into the track of the dock-facing side of the upright section. (911-18705-00). See FIG. 2B & 2C.
 - Slide lock washers (001-71067-00) over bolts and secure with aluminum nuts (001-76349-00). Torque aluminum nuts 20 FT/LBS. See FIG 2D.
 - Insert bolt and washers into the track from top of upright section. Secure with an aluminum nut about 1.25" from the top of the rack. Torque to 20 FT/LBS. See FIG 2E & 2F.
 - Peel plastic backing off tape on cap & place cap onto upright sections. See FIG 2G
- NOTE:** Tape must be on opposite side of nut track - facing away from the dock.
- Decide spacing for supports and repeat above steps for second upright.

