

CANOPY RETRO-FIT KIT

ASSEMBLY INSTRUCTIONS



1. Clean the (4) ends of the main rails next to the end caps. Peel the blue backing off the tape on the (4) retro brackets and attach to rail 1/2" from end cap as shown in Fig. 1. Fig. 2 shows the correct orientation for attaching all retro brackets to the main rail.

2. The remaining retro clips are attached by lifting each canopy hoop over the studs and placing the clips over the studs and onto the main rail as shown in Fig. 2 and Fig. 3.

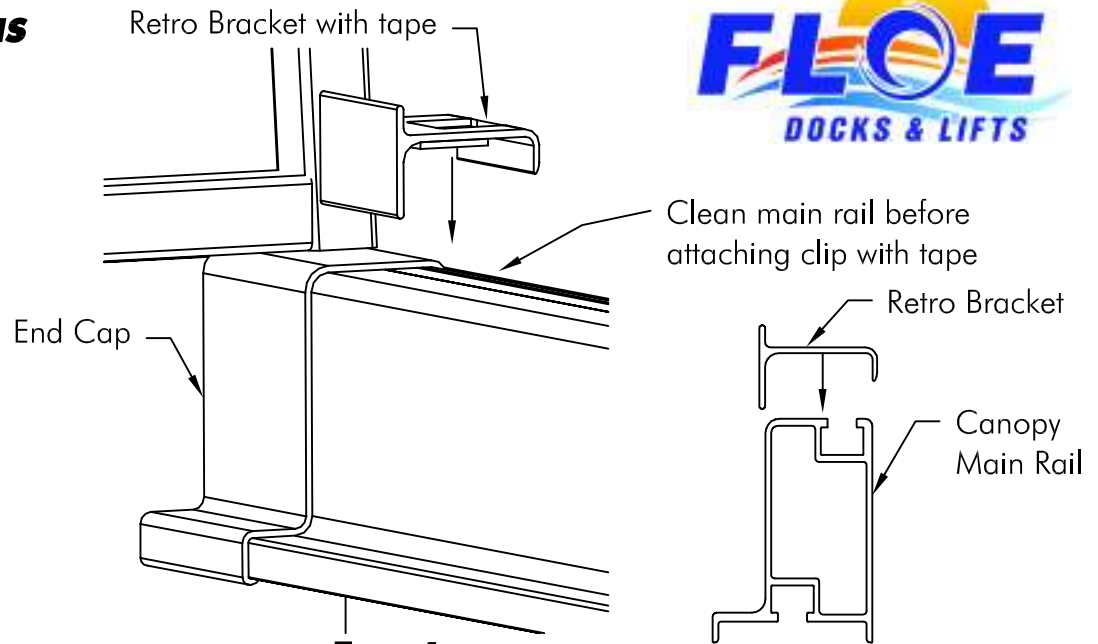


Fig. 1
(4) Corners

Fig. 2

3. Attach the canopy fabric to the frame by pulling the elastic strap under the main rail and placing the elastic clip over the lip on the retro bracket. The elastic strap tension can be adjusted by increasing or decreasing the amount of strap in the slots of the clip. See Fig. 4 and Fig. 5.

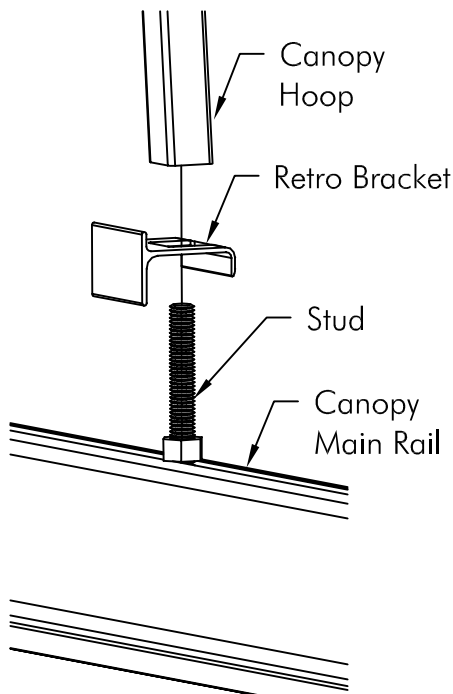


Fig. 3

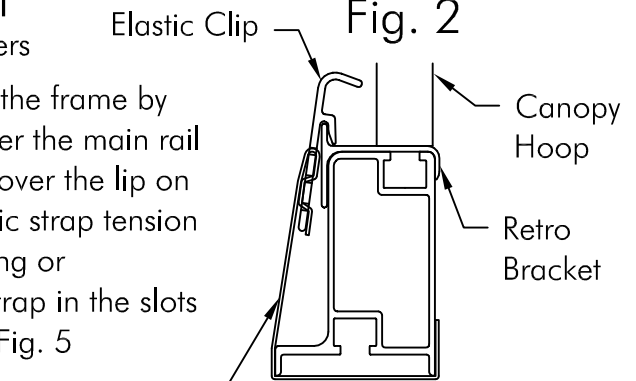


Fig. 5

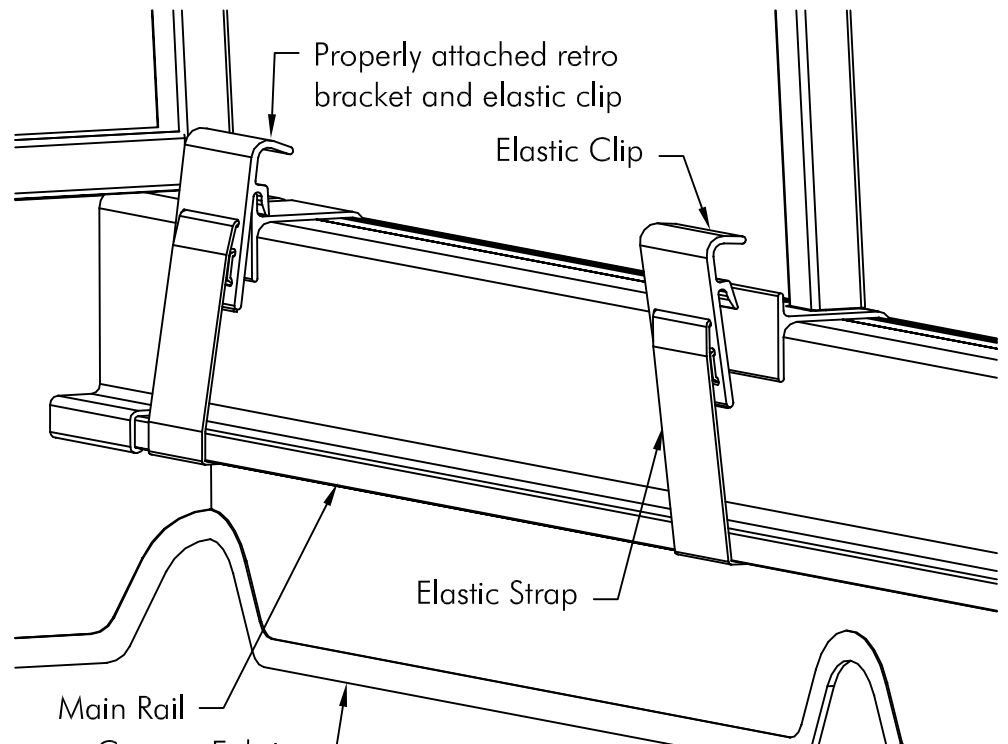


Fig. 4