

SINGLE VERTICAL PVC GUIDE-IN SYSTEMS

V2000-VSD5000 LIFTS

ASSEMBLY INSTRUCTIONS

P/N 511-02930-00



1. Attach the tube clamp bracket to the cradle beam using the 3/8" x 3" bolts and nuts. See Fig. 1.
2. Once you have placed the brackets in their final location, torque bolts to 35 ft. lbs.

Tools Required:

- 9/16" Socket or Wrench
- Torque Wrench

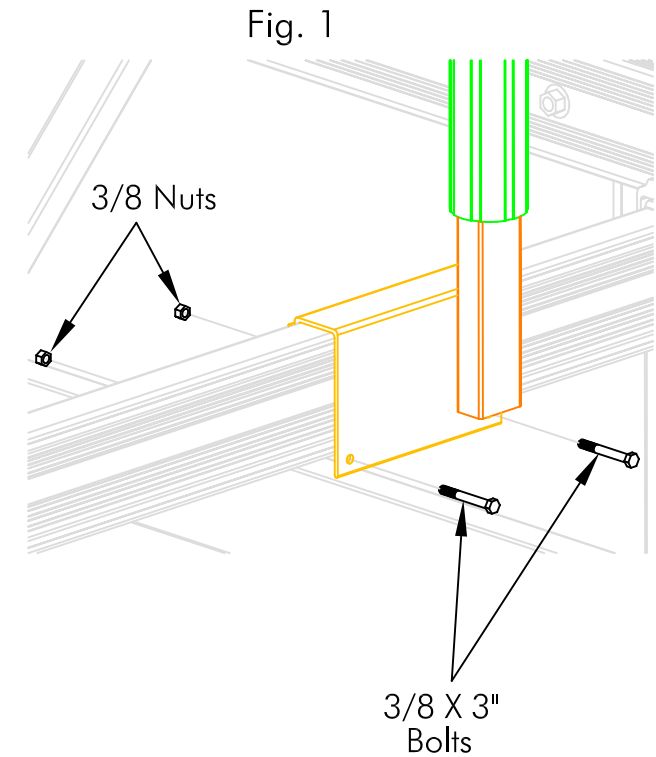
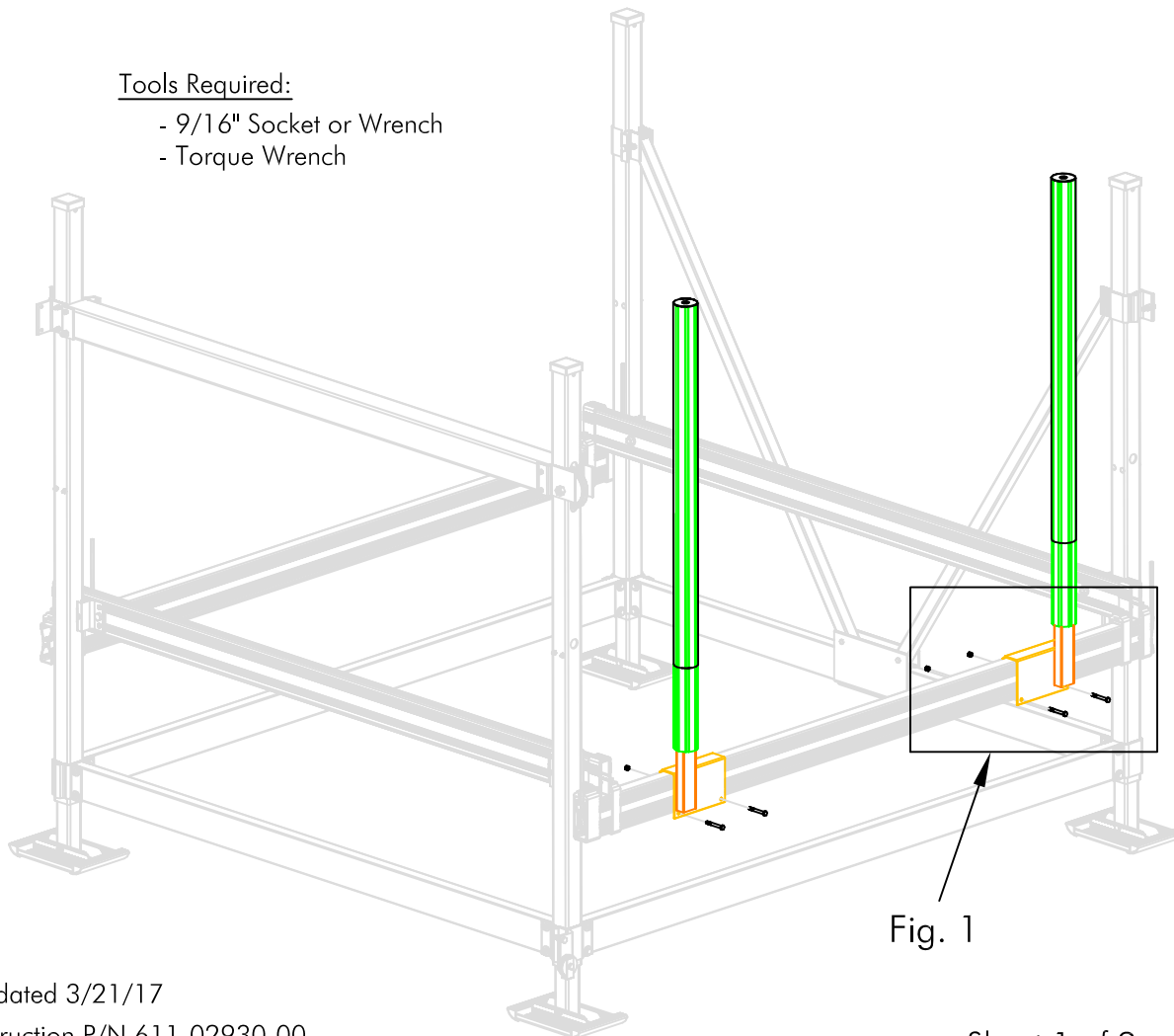


Fig. 1

SINGLE VERTICAL PVC GUIDE-IN SYSTEM EXPLODED VIEW

| NO. | PART NO. | QTY. | DESCRIPTION |
|-----|--------------|------|-------------------------------|
| 1 | 111-00204-00 | 1 | WELDMENT, SINGLE GUIDE-IN (L) |
| 2 | 111-00205-00 | 1 | WELDMENT, SINGLE GUIDE-IN (R) |
| 3 | 958-00504-00 | 2 | TUBE, 3.381 DIA. PVC - 66.5" |
| 4 | 511-02850-00 | 1 | COVER, GREY SDP (PAIR) |
| 5 | 001-70115-00 | 4 | HHCS, 3/8-16 x 3" 18-8 SS |
| 6 | 001-76349-00 | 4 | NUT, 3/8-16 ALUMINUM |

