

SINGLE VERTICAL PVC GUIDE-IN SYSTEMS

6000-10000 LIFTS

ASSEMBLY INSTRUCTIONS

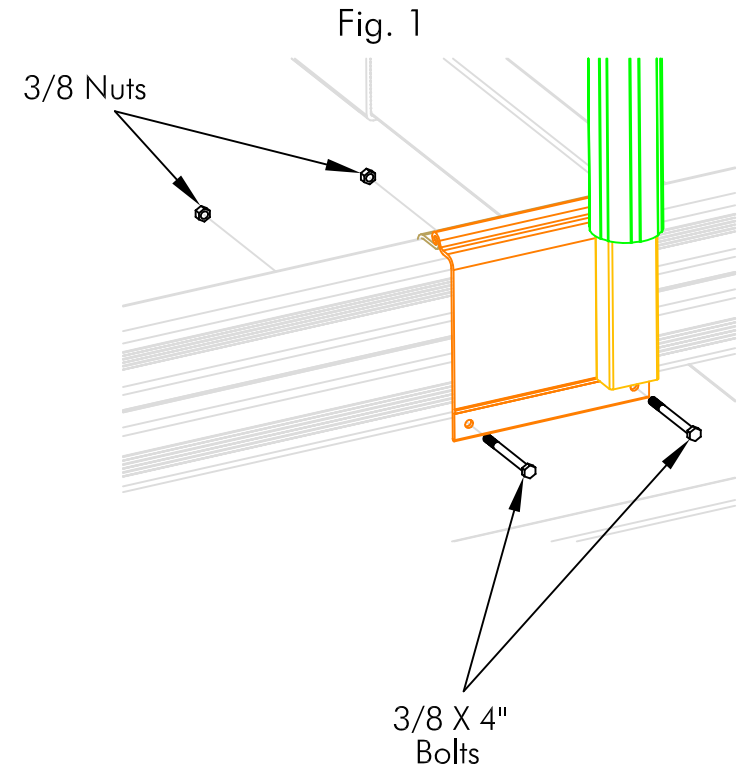
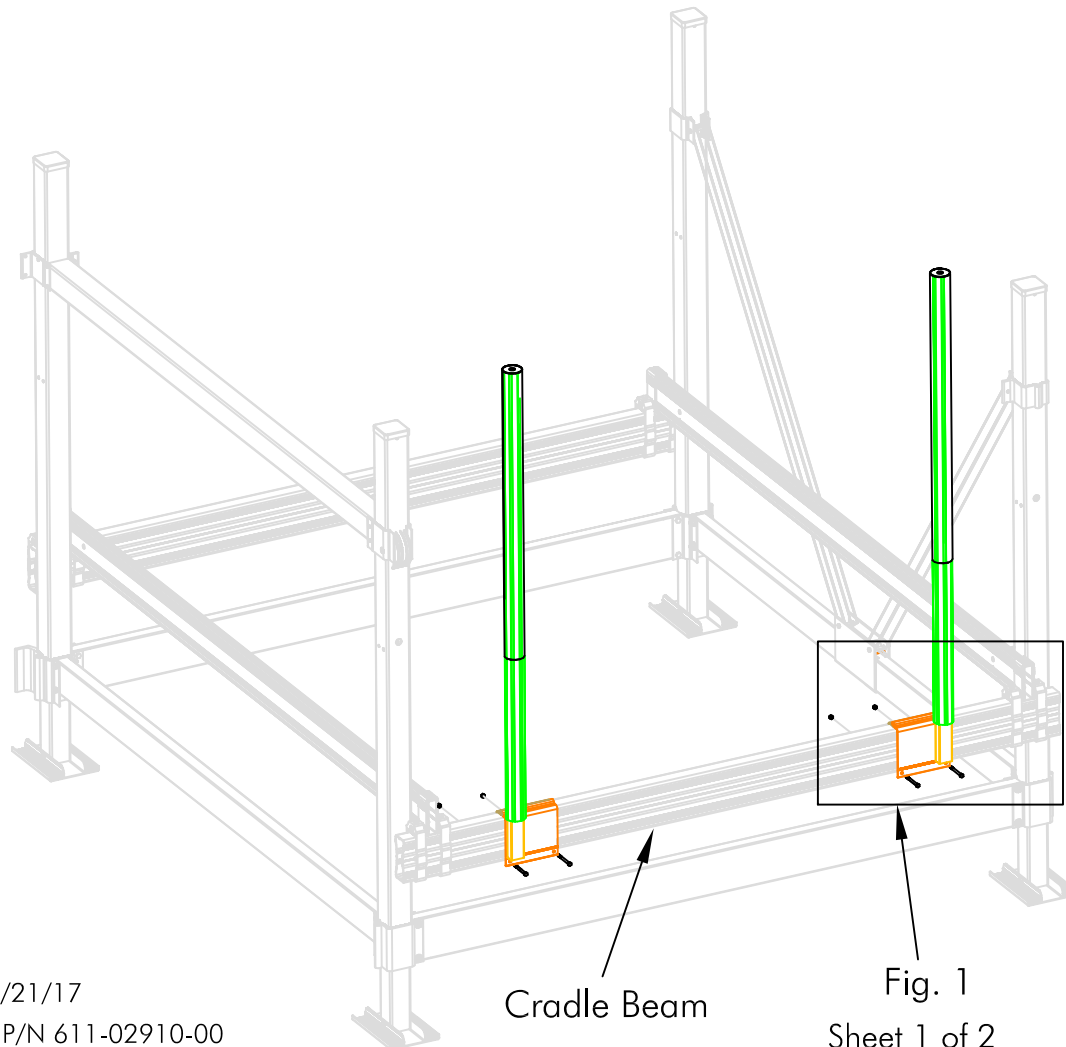
P/N 511-02910-00



Tools Required:

- 9/16" Socket or Wrench
- Torque Wrench

1. Attach the tube clamp bracket to the cradle beam using the 3/8" x 4" bolts and nuts. See Fig. 1.
2. Once you have placed the brackets in their final location, torque bolts to 35 ft. lbs.



SINGLE VERTICAL PVC GIUDE-IN SYSTEM EXPLODED VIEW

NO.	PART NO.	QTY.	DESCRIPTION
1	111-00202-00	1	WELDMENT, SINGLE GUIDE-IN (L)
2	111-00203-00	1	WELDMENT, SINGLE GUIDE-IN (R)
3	002-04285-00	2	CLAMP, BUNK CRADLE (MALE)
4	958-00503-00	2	TUBE, 3.381 DIA. PVC - 84.5"
5	511-02850-00	1	COVER, GREY SDP (PAIR)
6	001-70119-00	4	HHCS, 3/8-16 x 4" 18-8 SS
7	001-76349-00	4	NUT, 3/8 16 ALUMINUM

