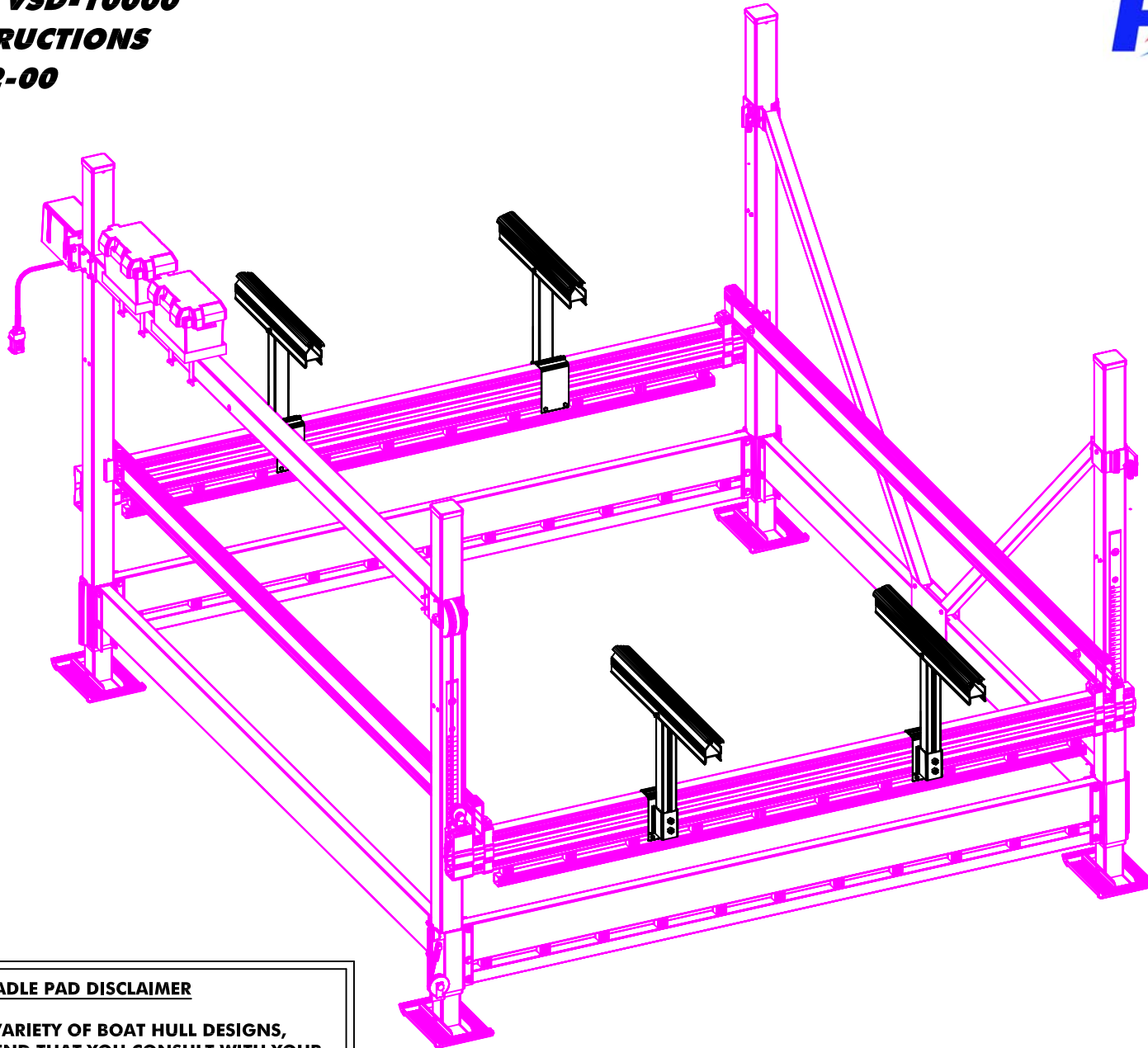


FLOE CRADLE PADS

VSD-6000 THRU VSD-10000

ASSEMBLY INSTRUCTIONS

P/N: 511-02722-00



BUNK/CRADLE PAD DISCLAIMER

**DUE TO THE LARGE VARIETY OF BOAT HULL DESIGNS,
WE STRONGLY RECOMMEND THAT YOU CONSULT WITH YOUR
BOATS MANUFACTURER TO INSURE THAT YOU ARE SUPPORTING
YOUR BOAT PROPERLY TO AVOID ANY POTENTIAL DAMAGE.**

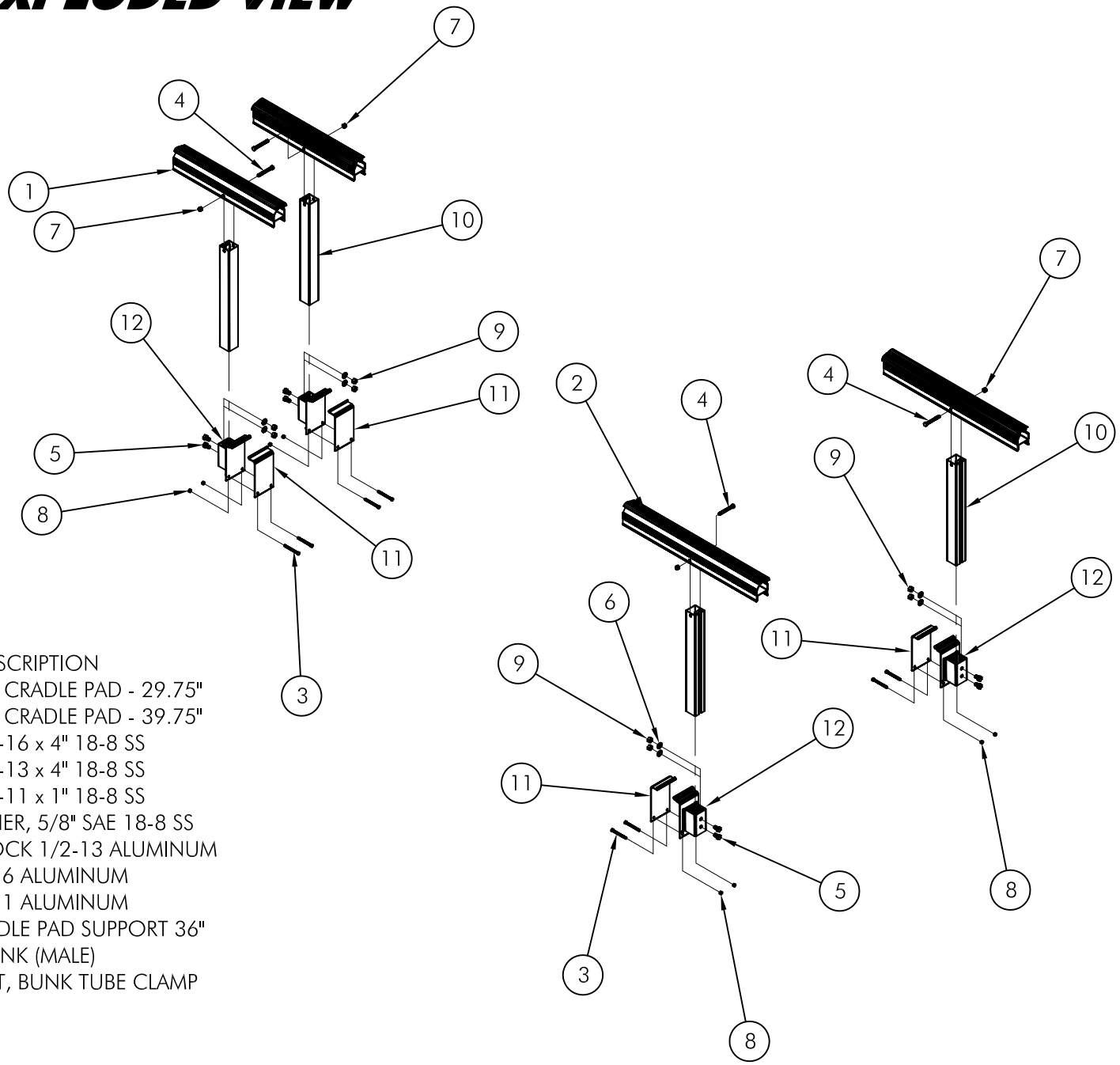
Manufactured by:
Floe International Inc.
48473 State Hwy. 65
McGregor, MN 55760
www.floeintl.com

Instruction P/N: 611-02722-00

Issue Date: 3/21/17

FLOE CRADLE PADS EXPLODED VIEW

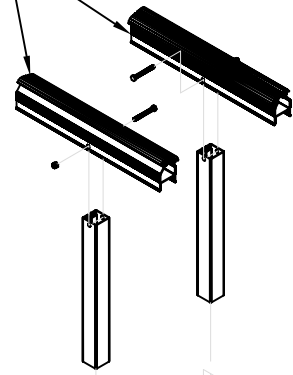
P/N: 511-02722-00



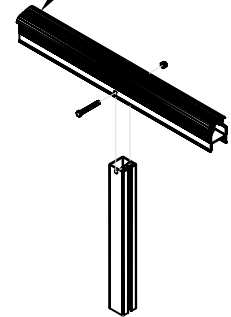
PARTS LIST

ITEM	QUANTITY	PART NO.	DESCRIPTION
1	2	111-00358-00	ASSEMBLY, CRADLE PAD - 29.75"
2	2	111-00362-00	ASSEMBLY, CRADLE PAD - 39.75"
3	8	001-70119-00	HHCS, 3/8-16 x 4" 18-8 SS
4	4	001-70219-00	HHCS, 1/2-13 x 4" 18-8 SS
5	8	001-70305-00	HHCS, 5/8-11 x 1" 18-8 SS
6	8	001-71025-00	FLAT WASHER, 5/8" SAE 18-8 SS
7	4	001-76072-00	NUT, NYLOCK 1/2-13 ALUMINUM
8	8	001-76349-00	NUT, 3/8-16 ALUMINUM
9	8	001-76351-00	NUT, 5/8-11 ALUMINUM
10	4	002-04269-00	TUBE, CRADLE PAD SUPPORT 36"
11	4	002-04285-00	CLAMP, BUNK (MALE)
12	4	111-00359-00	WELDMENT, BUNK TUBE CLAMP

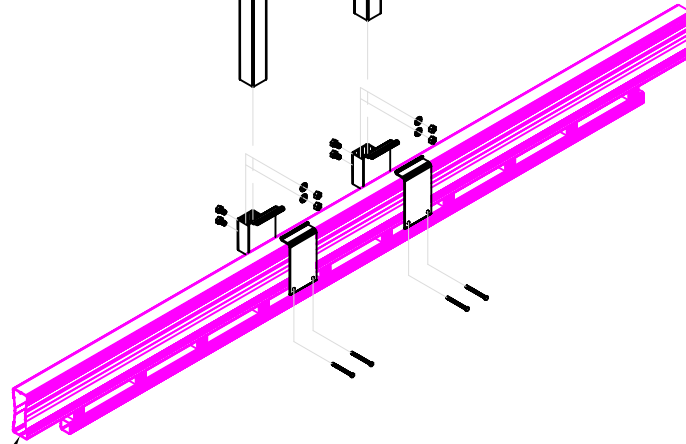
29.75" CRADLE PAD ASSEMBLIES



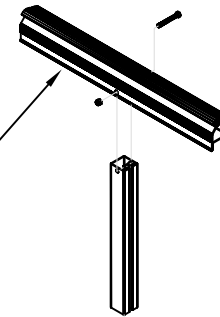
39.75" CRADLE PAD ASSEMBLY



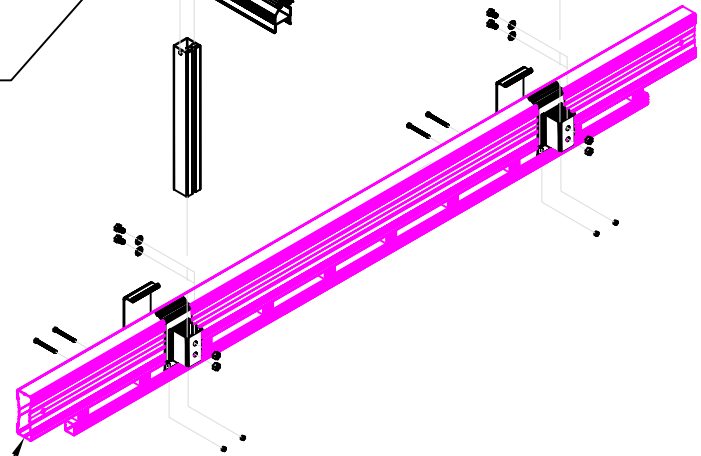
FRONT CRADLE BEAM



39.75" CRADLE PAD ASSEMBLY



REAR CRADLE BEAM



Step 1

□ Locate the (4) cradle pad assemblies, (2) 29.75" for the front cradle beam and (2) 39.75" for the rear cradle beam so that they fit the hull of the boat as shown in Fig. 1. Once the cradle pads are in the desired location, torque the 3/8 x 4" bolts to 35 ft./lbs. NOTE: Due to the large variety of hull designs, cradle pad placement will vary. Pads must be placed to utilize the chine of the hull for proper support. The 36" support tubes may need to be cut off to allow full cradle travel once proper placement is established.

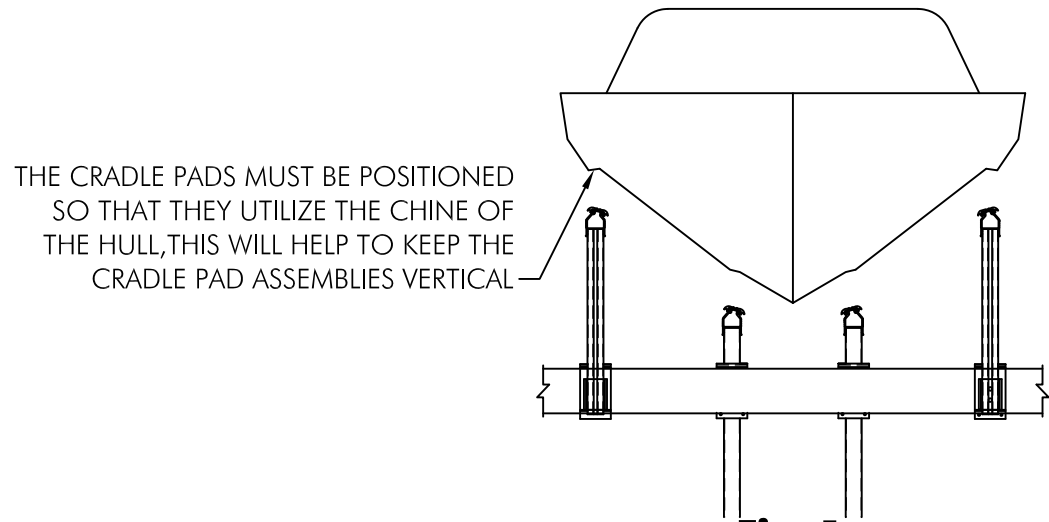


Fig. 1

Step 2

□ If your lift doesn't have a canopy be sure to raise the bow to insure the water drains to the back of the boat. See Fig. 2 If in deep enough water and for boats with direct drive inboards be sure the cradle pads are adjusted high enough that in the case of float through, no part of the boat or drive unit comes in contact with the cradle beams. Adjust the height of the support tube and torque the 5/8 x 1" bolts to 70 ft./lbs.

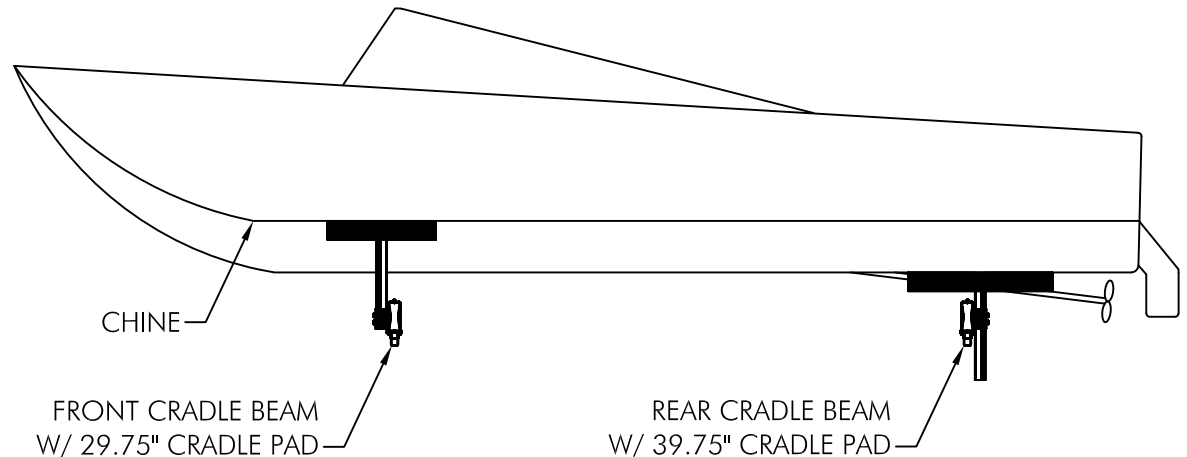


Fig. 2

BUNK/CRADLE PAD DISCLAIMER

DUE TO THE LARGE VARIETY OF BOAT HULL DESIGNS, WE STRONGLY RECOMMEND THAT YOU CONSULT WITH YOUR BOATS MANUFACTURER TO INSURE THAT YOU ARE SUPPORTING YOUR BOAT PROPERLY TO AVOID ANY POTENTIAL DAMAGE.