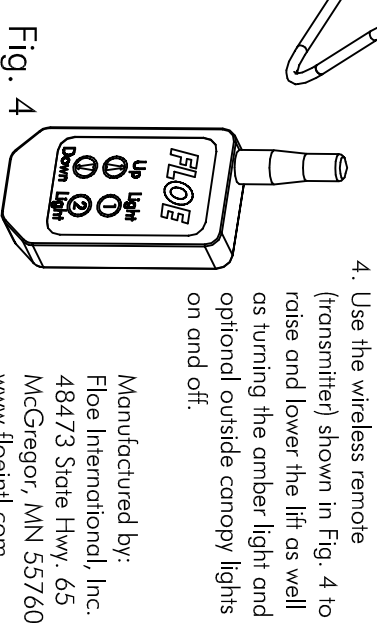
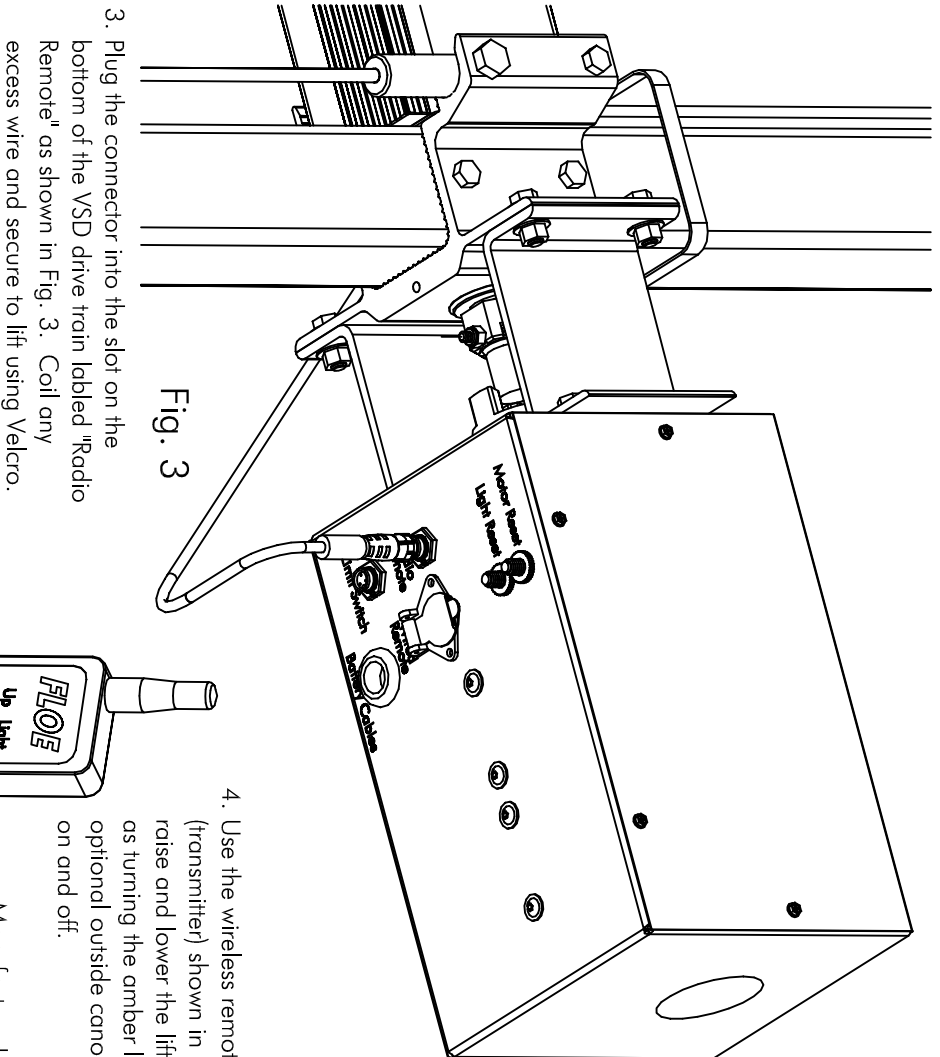
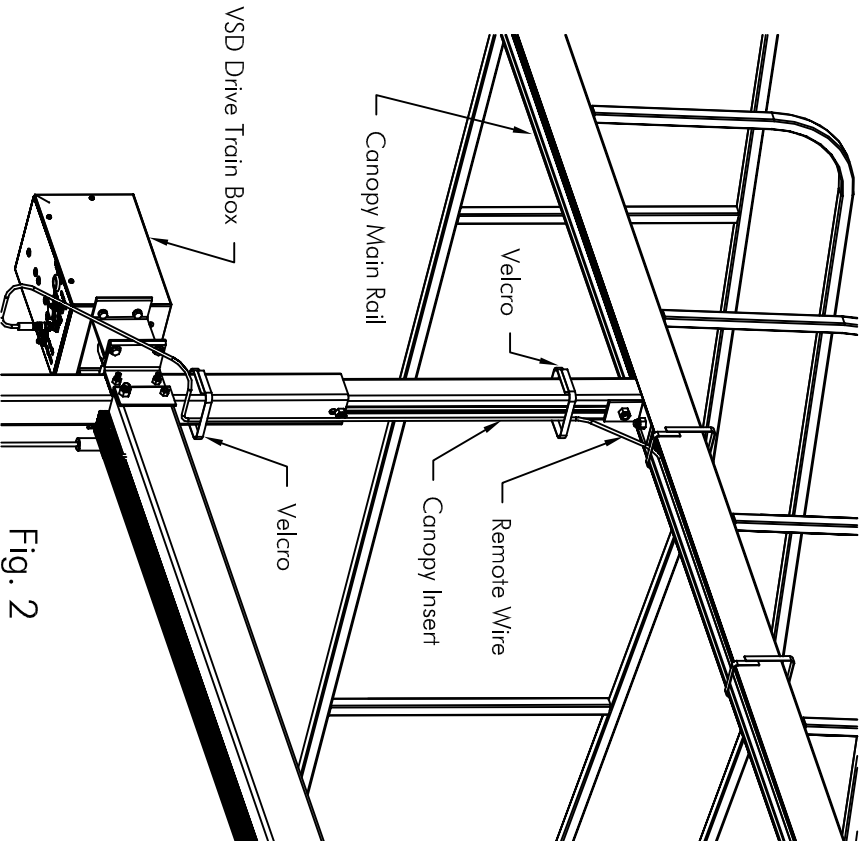
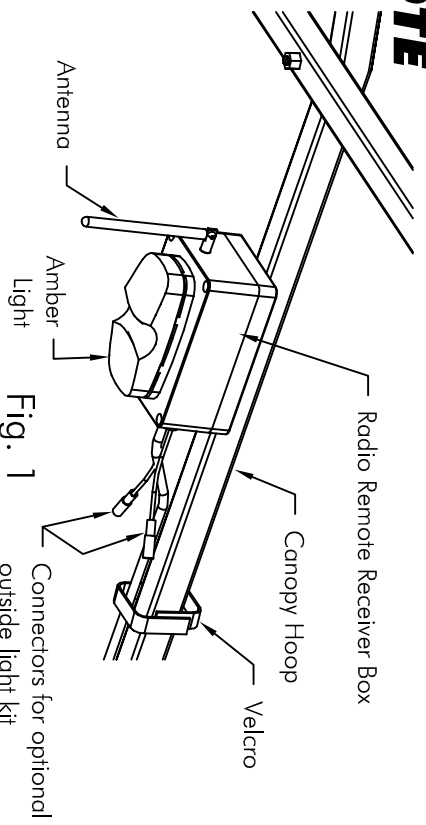


# FLOE VSD WIRELESS REMOTE WITH AMBER LIGHT ASSEMBLY INSTRUCTIONS 511-00828-00

C:\Graphics\Floe85.tif

1. Peel the backing off the adhesive Velcro on the back of the radio remote receiver box. Attach the receiver box to a canopy hoop near the center of the canopy as shown in Fig. 1. Rotate the antenna down so it points away from the aluminum framework. If the lift does not have a canopy, the receiver box can be attached to the lift corner post.
2. Run the wire down the canopy hoop and along the bottom side of the canopy main rail and down the canopy insert to the VSD drive train box. Cut the supplied Velcro to lengths required to secure the wire to the canopy hoop, rail and insert. See Fig. 2.



3. Plug the connector into the slot on the bottom of the VSD drive train labeled "Radio Remote" as shown in Fig. 3. Coil any excess wire and secure to lift using Velcro.
4. Use the wireless remote (transmitter) shown in Fig. 4 to raise and lower the lift as well as turning the amber light and optional outside canopy lights on and off.