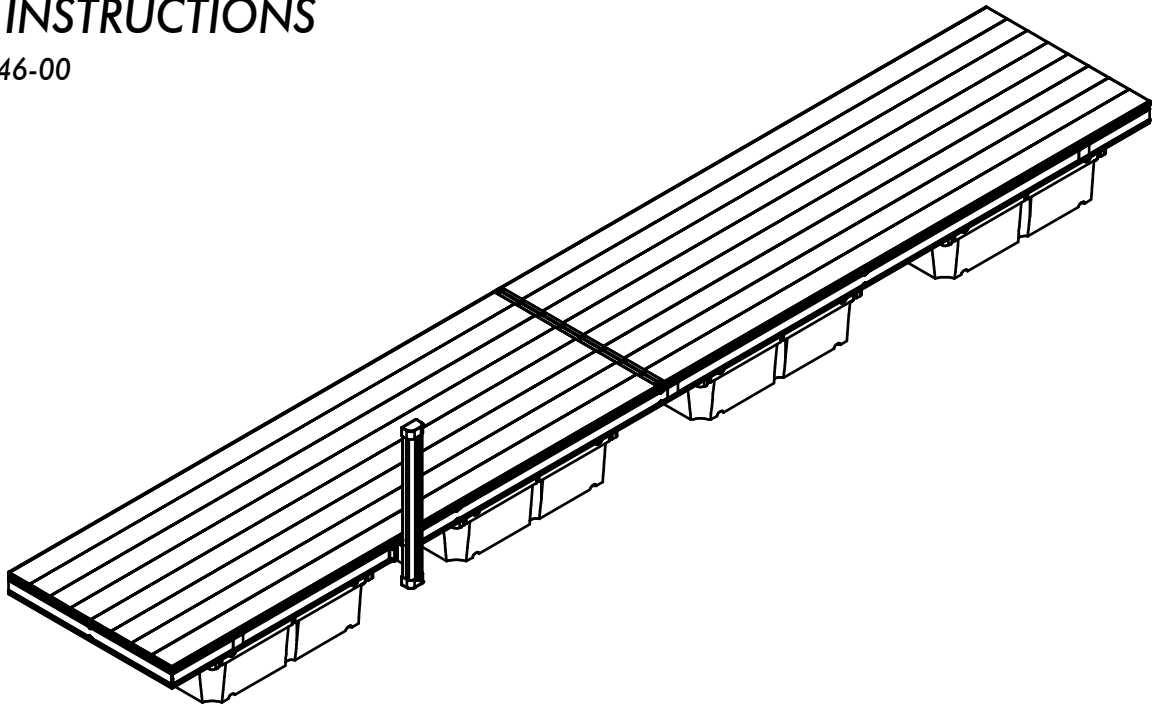


FLOE FLOATING DOCK BUMPER BRACKET

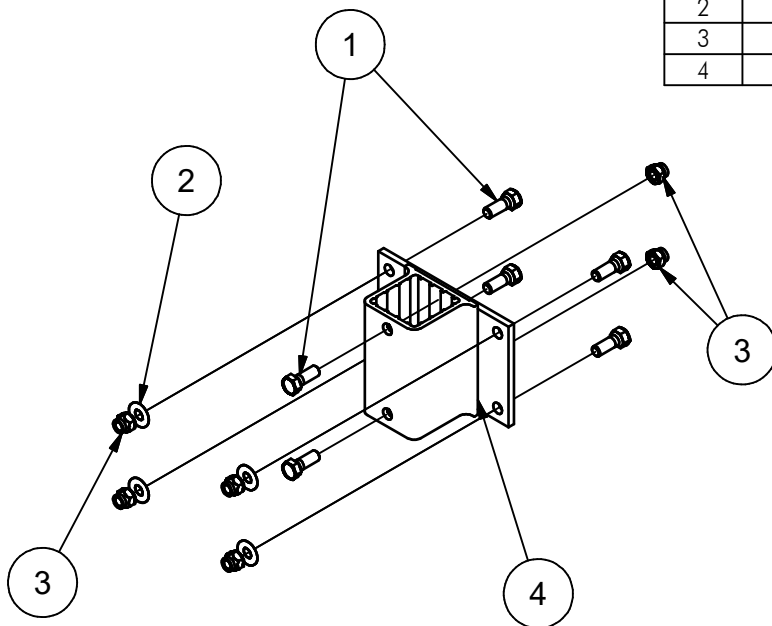
ASSEMBLY INSTRUCTIONS

KIT P/N 510-05346-00



EXPLODED VIEW AND PARTS LIST

ITEM	QTY	PART NUMBER	DESCRIPTION
1	6	001-70105-00	HHCS, 3/8-16 SS
2	4	001-71017-00	FLAT WASHER, 18-8 SS
3	6	001-76071-00	NUT, NYLOCK 3/8-16 ALUM.
4	1	110-00102-00	WELD'T, FLOATING DOCK BUMPER

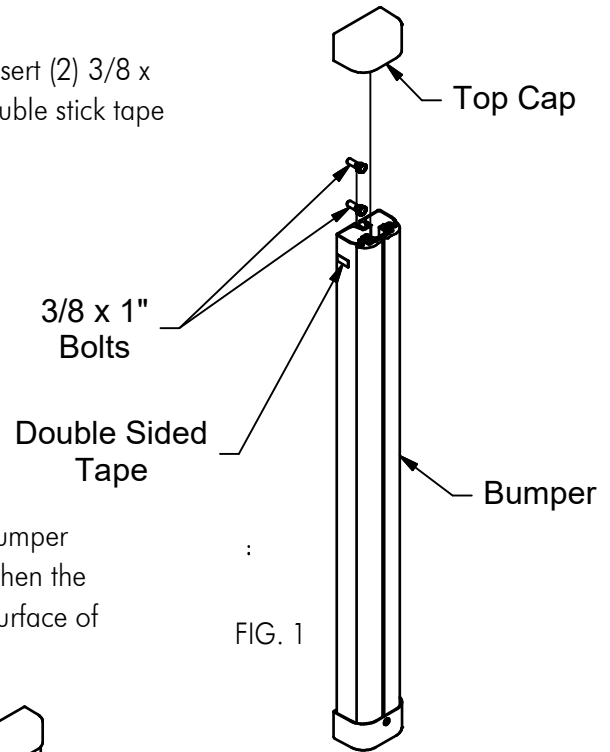


TOOLS REQUIRED

- 9/16" SOCKET OR WRENCH
- TORQUE WRENCH

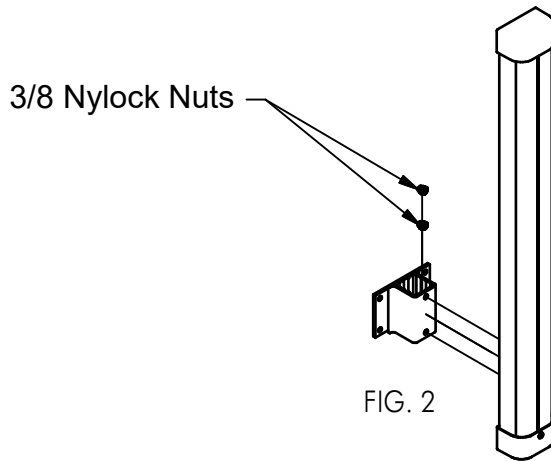
STEP 1

Slide the top end cap (the one with no holes) off the bumper and insert (2) 3/8 x 1" into the nut track on the bumper. Remove the backing off the double stick tape and reinstall the cap. Shown in FIG. 1



STEP 2

Bolt the bumper to the bumper bracket using the two bolts in the bumper track and (2) 3/8" nylock nuts. Adjust the bumper bracket so that when the bumper is mounted to the dock the bottom end cap is just off the surface of water. TORQUE TO 20 FT/LBS. Shown in FIG. 2



STEP 3

Place a flat washer over each of the remaining 3/8 x 1" bolts and insert two into the upper nut track of the dock side and two into the lower nut track. Slide them to the mounting location. NOTE: When installing multiple bumpers, start with the ones closest to the ends and work towards the center. Place the bumper bracket over the four protruding bolts and fasten using the (4) 3/8" nylock nuts. TORQUE TO 20 FT/LBS. Shown in FIG. 3

