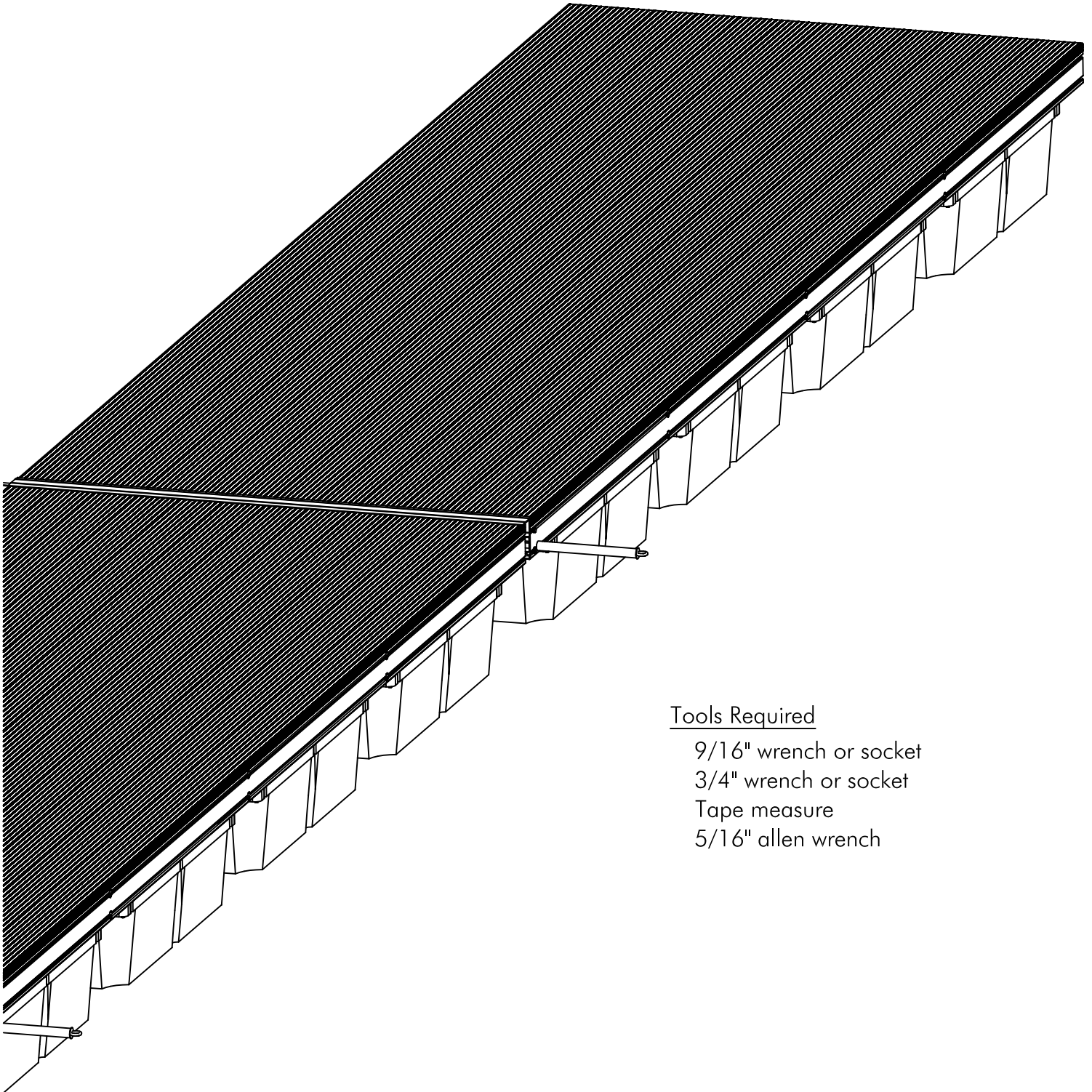


# **FLOE FLOATING DOCK**

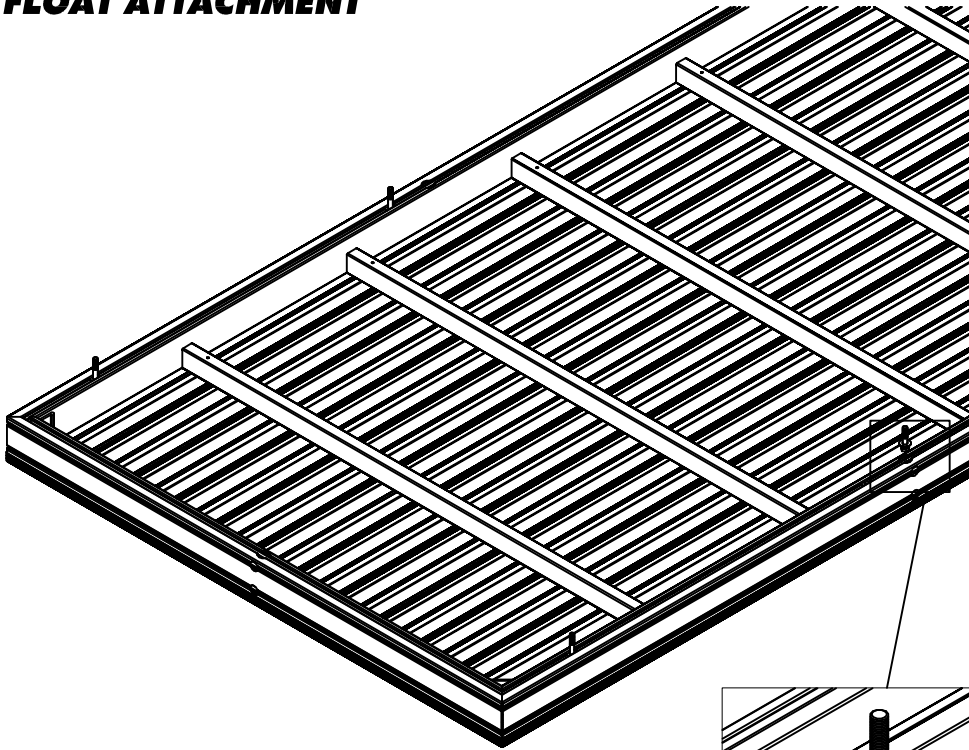
## **ASSEMBLY INSTRUCTIONS FOR DOCK FLOATS AND HINGES**



### Tools Required

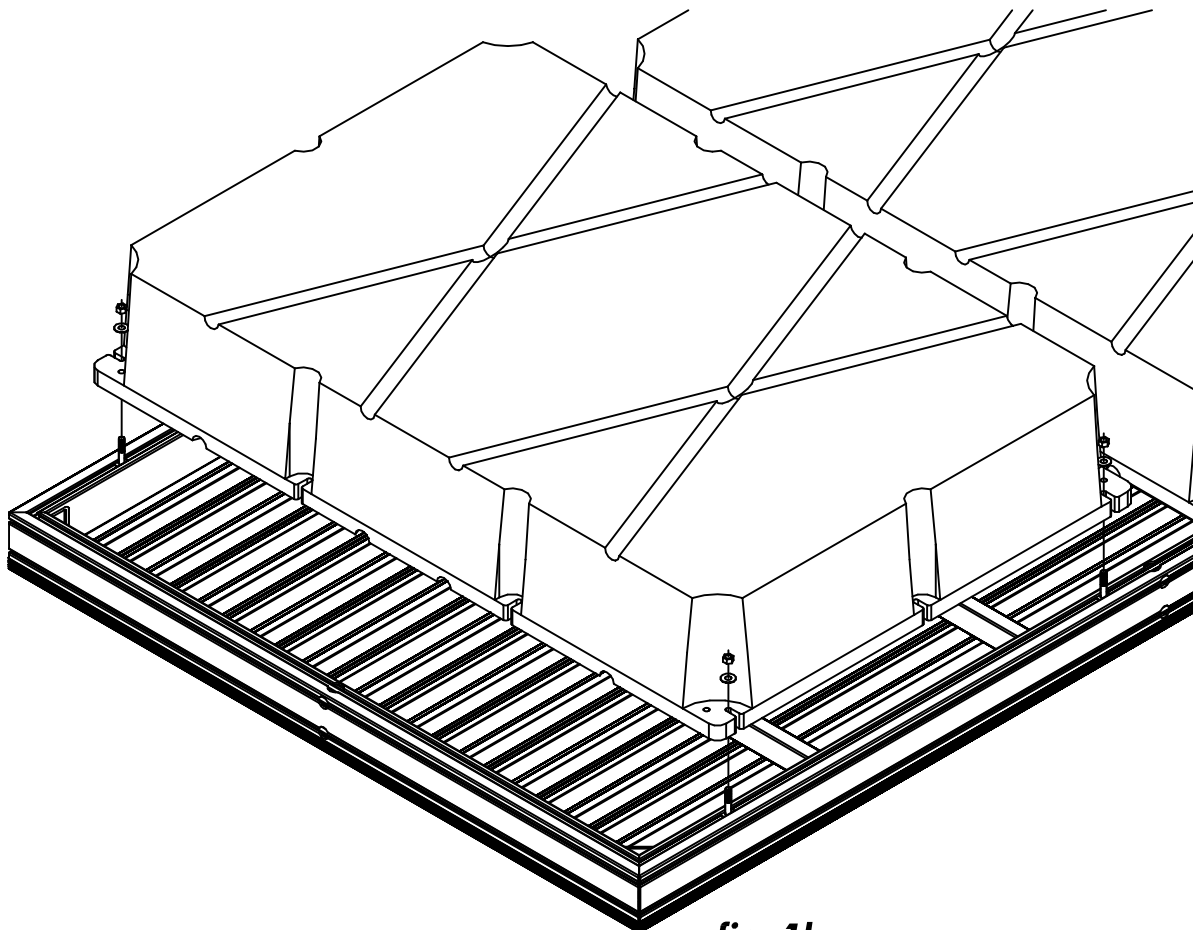
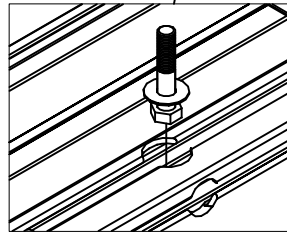
- 9/16" wrench or socket
- 3/4" wrench or socket
- Tape measure
- 5/16" allen wrench

## FLOAT ATTACHMENT



**fig. 1a**

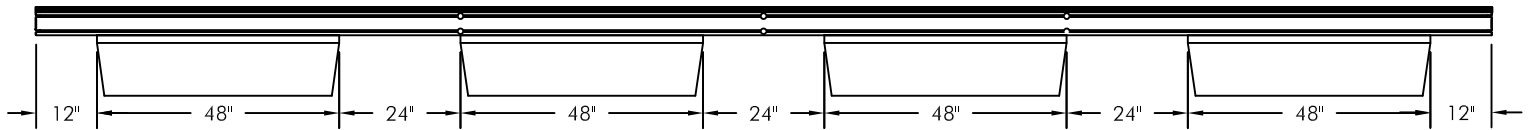
1. Apply a small amount of clear silicone sealant to 5/8" plug and insert (1) 5/8" plug on the top side of each float.
2. Place dock upside down on a flat surface and block all four corners to protect the decking.
3. For each float insert (4) 1/2" x 2 1/2" bolts and washers into bottom track of dock as shown in fig 1a. See float layout diagram on sheet 3 for approximate locations.
4. Set floats on the dock so the bolts fit in the slots. Position floats in proper location as shown in float layout diagram. Fasten using a 1/2" nut and flat washer as shown in fig. 1b. Torque to 30 ft/lbs.



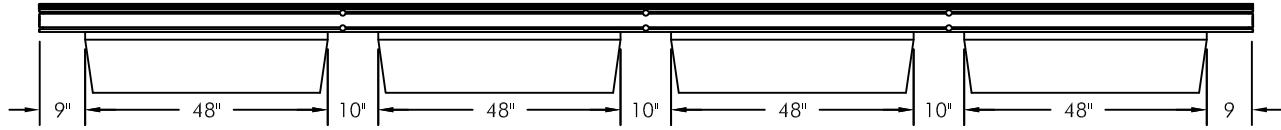
**fig. 1b**

# FLOAT LAYOUT

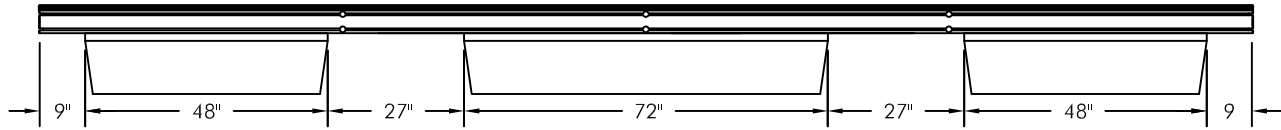
## 24' DOCK SECTION



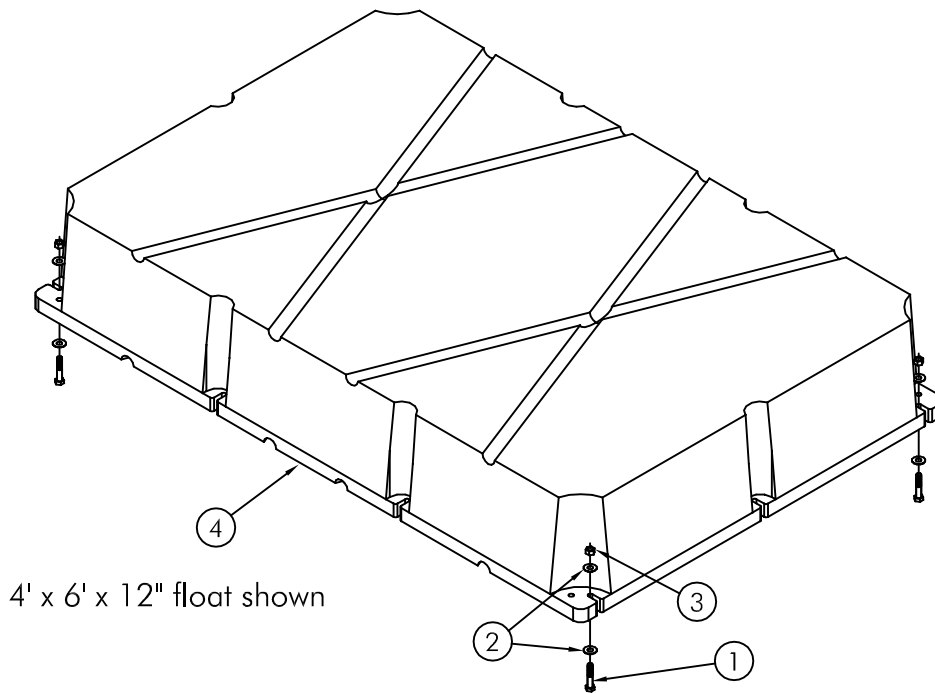
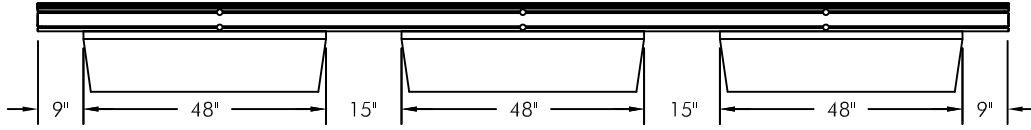
## 20' DOCK SECTION EXCEPT 4' (SEE 4' X 20' BELOW)



## 4' X 20' DOCK SECTION



## 16' DOCK SECTION



4' x 6' x 12" float shown

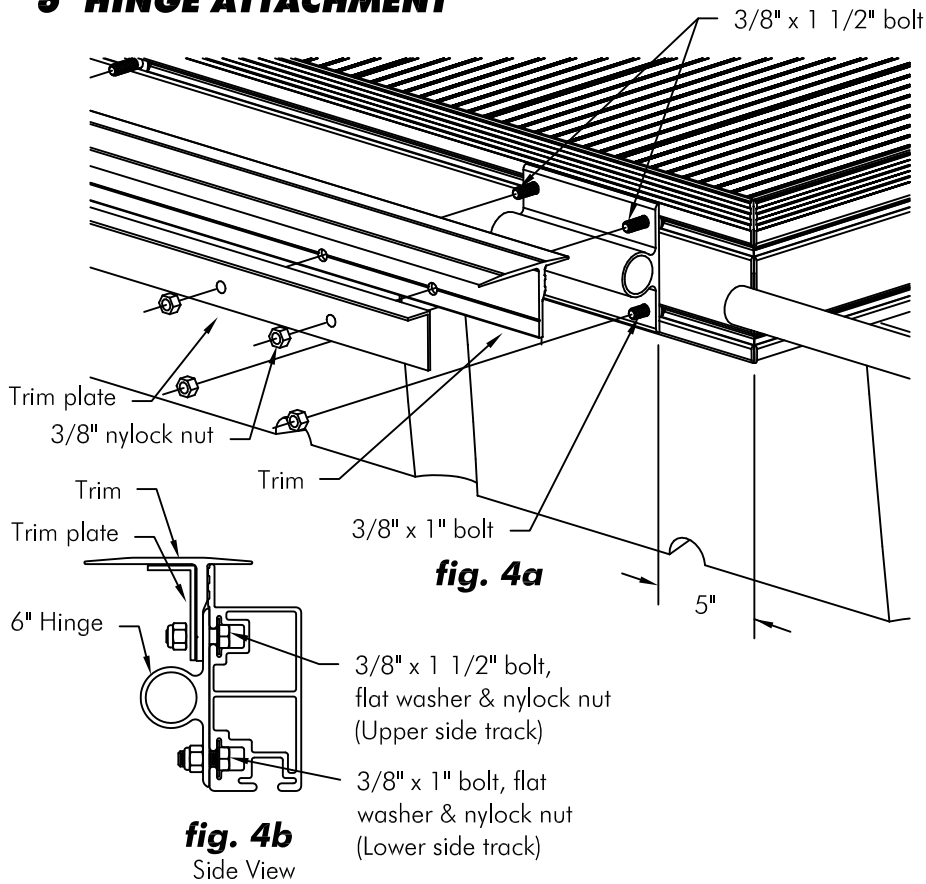
ITEM	PART NO.	QTY**	DESCRIPTION
1	001-70213-00	4	1/2" x 2 1/2" bolt ss
2	001-71022-00	8	1/2" SAE flat washer ss
3	001-76072-00	4	1/2" aluminum nut
4	see float chart	1	Dock float

\*\* Quantities shown are for (1) float

\* The quantity and locations of floats given is recommended for most situations. Special circumstances may require these to be altered. 16" and 20" floats are an optional upgrade if required.

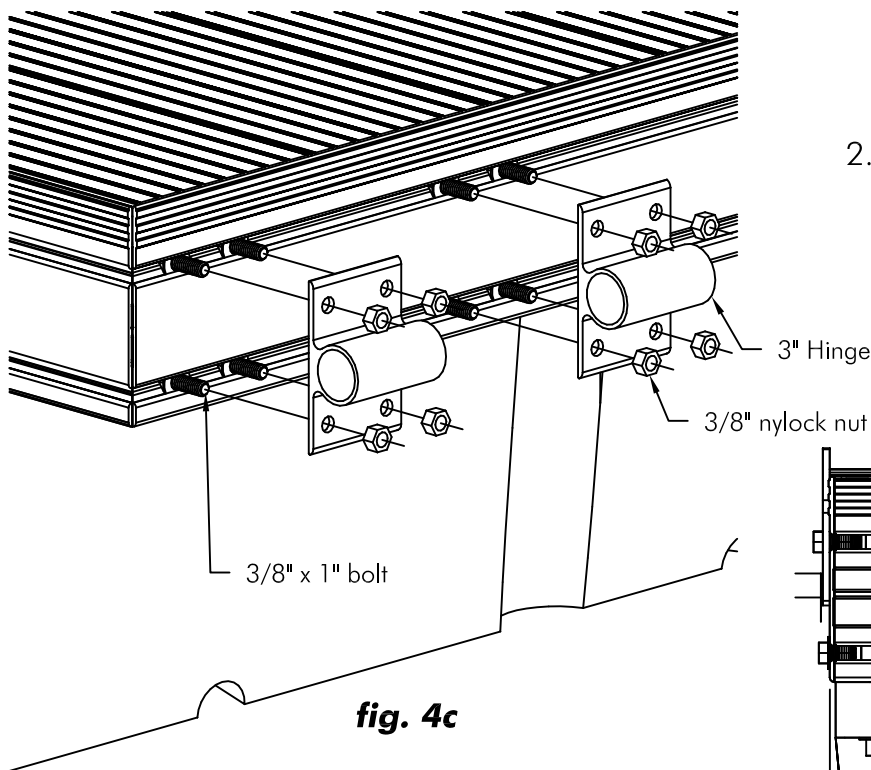
STANDARD FLOAT CHART*			
Dock size	Qty of floats	Size	Part No.
8' x 24'	4	4' x 8' x 12"	010-05100-00
8' x 20'	4	4' x 8' x 12"	010-05100-00
8' x 16'	3	4' x 8' x 12"	010-05100-00
8' x 8'	2	4' x 8' x 12"	010-05100-00
6' x 24'	4	4' x 6' x 12"	010-05000-00
6' x 20'	4	4' x 6' x 12"	010-05000-00
6' x 16'	3	4' x 6' x 12"	010-05000-00
4' x 24'	4	4' x 4' x 12"	010-05400-00
4' x 20'	2	4' x 4' x 12"	010-05400-00
4' x 20'	1	4' x 6' x 12"	010-05000-00
4' x 16'	3	4' x 4' x 12"	010-05400-00

## 6" HINGE ATTACHMENT

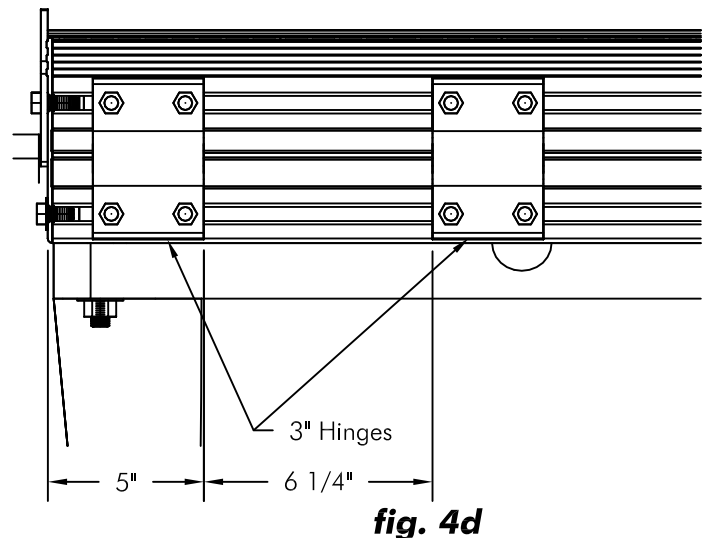


1. Insert (4) 3/8" x 1" bolts and flat washers in the lower side track. Insert 3/8" x 1 1/2" bolts and flat washers in the upper side track. Quantity of 1 1/2" bolts should equal number of holes in hinge plate. Slide bolts to approximate mounting location.
2. Slide a 6" hinge over (4) bolts on each end. The trim goes on over the hinges and through all bolts in upper side track. The short flange of trim should extend over the dock it is bolted to. See fig 4b for proper trim orientation. Adjust all bolts so trim is flush with sides of dock.
3. The trim plate attaches on top of the trim with holes closest to the bottom side and fastened with 3/8" nylock nuts as shown in fig. 4a and 4b. Torque to 40 ft/lbs.

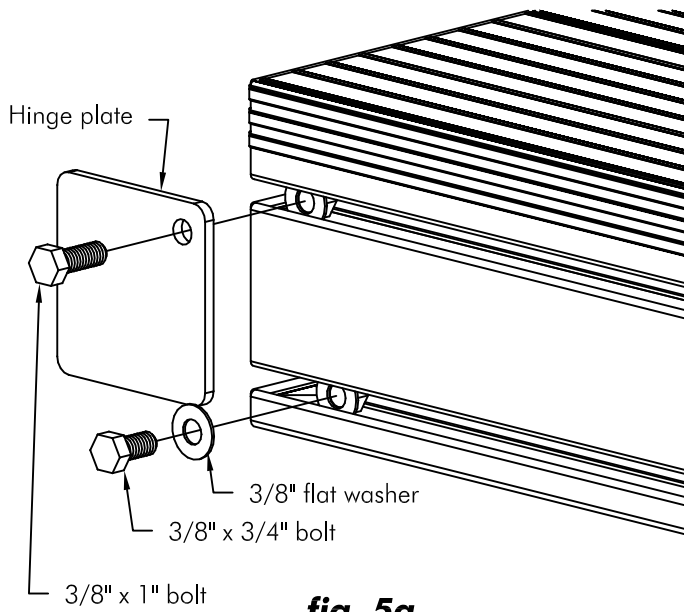
## 3" HINGE ATTACHMENT



1. Insert (8) 3/8" x 1" bolts and flat washers into each side track (16 total). Slide bolts to approximate mounting location. See fig. 4c and 4d.
2. Slide a pair of 3" hinges over bolts on each end. Adjust hinges to dimensions shown on fig. 4d. Insert the hinge pin to line up hinges before tightening nuts. Fasten in place using 3/8" nylock nuts. Torque to 40 ft/lbs.

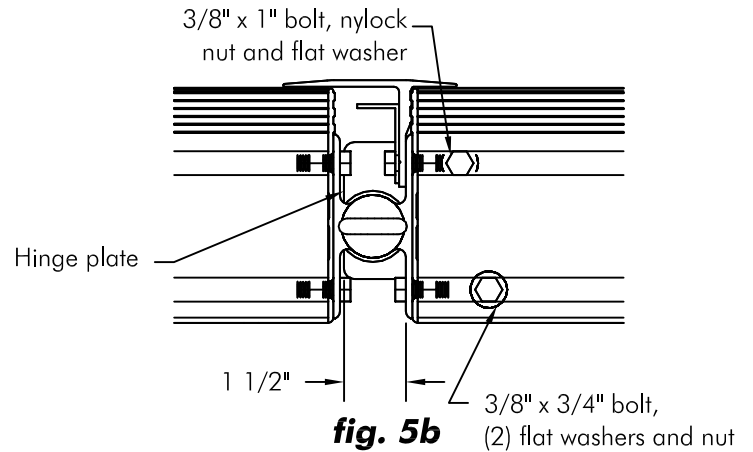


## HINGE PLATE ATTACHMENT



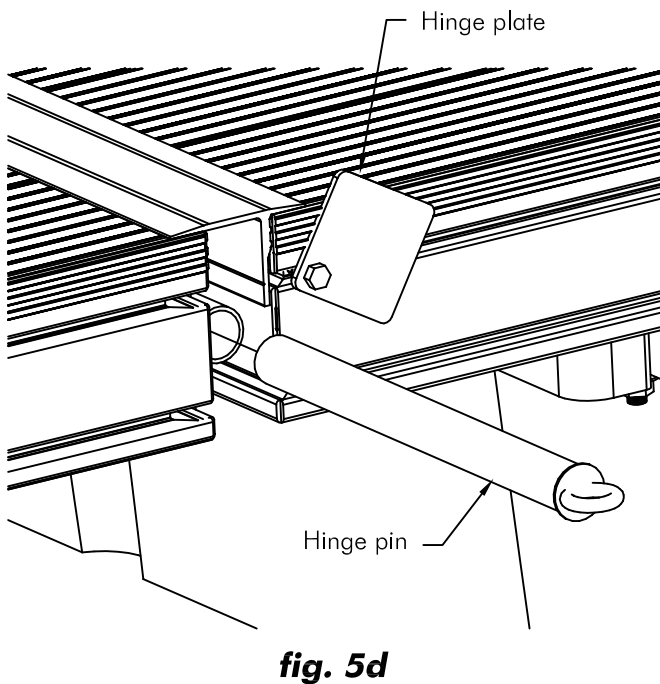
**fig. 5a**

1. Attach the hinge plate to the dock side using a 3/8" x 1" bolt, flat washer and nylock nut. The nut and flat washer are inserted into the upper side track and slid to the end. bolt should be tightened so that plate can still pivot.
2. Insert a 3/8" nut and flat washer into the lower side track and slide to end. Thread a 3/8" x 3/4" bolt and flat washer into nut as shown in fig. 5a and 5b. This will act as a stop for the plate. Torque to 40 ft/lbs.

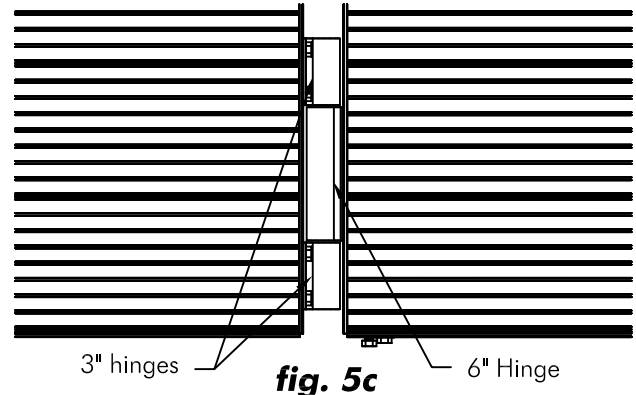


**fig. 5b**

## CONNECTING DOCK SECTIONS



**fig. 5d**

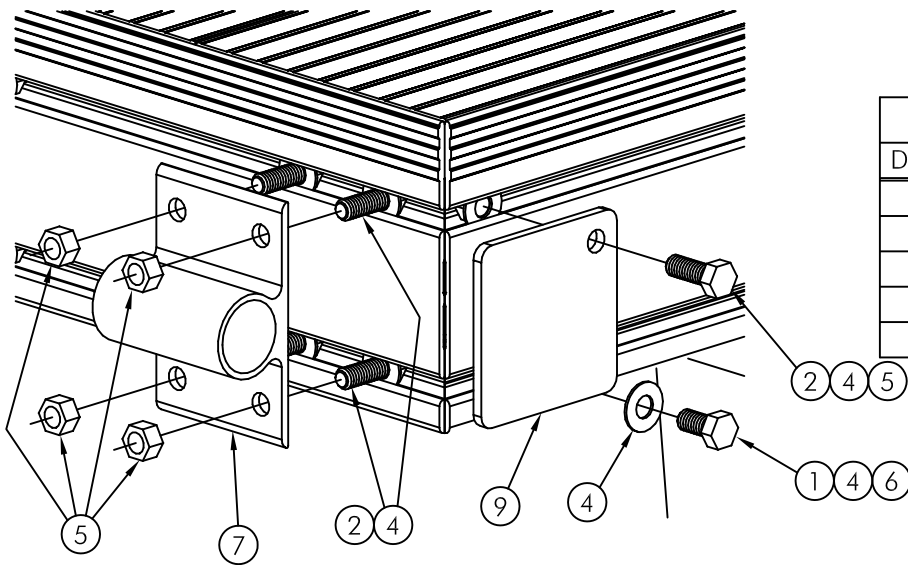


**fig. 5c**

1. Floating dock sections connect best when in the water. The first shore end section should be anchored in place. Push the connecting section out to its approximate location. Bring the two sections together so the 6" hinge on one section is between the (2) 3" hinges on the other section as shown in fig. 5c.
2. Flip open the hinge plate and insert the hinge pin through the 3" and 6" hinges. See fig. 5d. You may need to push up and down on the sections to line up the hinges. Repeat on other side. Close hinge plates to prevent hinge pin from coming out.

# HINGE EXPLODED VIEW

ITEM	PART NO.	QTY	DESCRIPTION
1	001-70103-00	2	3/8" x 3/4" bolt ss
2	001-70105-00	22	3/8" x 1" bolt ss
3	001-70109-00	7	3/8" x 1 1/2" bolt ss
4	001-71017-00	33	3/8" SAE flat washer ss
5	001-76071-00	29	3/8" aluminum nylock nut
6	001-76349-00	2	3/8" aluminum nut
7	002-02512-00	4	3" dock hinge
8	002-02526-00	2	6" dock hinge
9	002-02525-00	2	Hinge plate
10	110-00028-00	2	Hinge rod assembly
11	see trim chart	1	Trim plate
12	see trim chart	1	Dock Trim



Dock width	Trim P/N	Trim Plate P/N
3'	010-04904-00	002-02531-00
4'	010-04901-00	002-02527-00
5'	010-04905-00	002-02530-00
6'	010-04902-00	002-02528-00
8'	010-04903-00	002-02529-00

