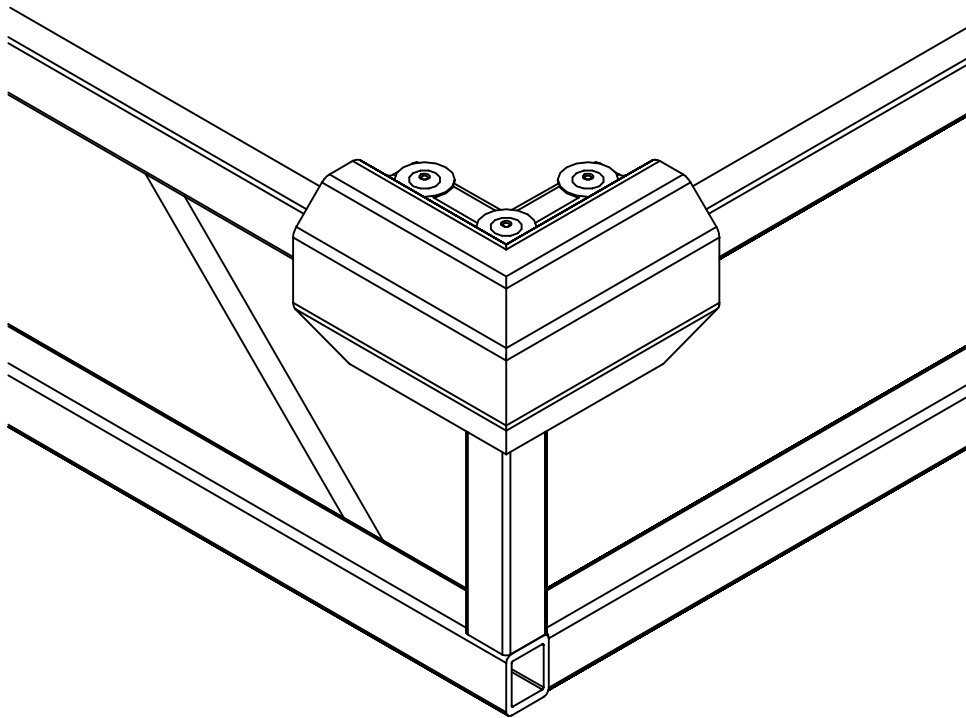


FLOE DOCK CORNER BUMPER

P/N 510-04100-00

ASSEMBLY INSTRUCTIONS



TOOLS REQUIRED:

- DRILL
- #9 DRILL BIT
- RIVET TOOL

WARNING: TO AVOID ELECTRIC SHOCK DURING DRILLING. USE OF A GROUND FAULT INTERRUPT CIRCUIT IS REQUIRED. FAILURE TO FOLLOW THIS WARNING MAY RESULT IN DEATH BY ELECTRICUTION. DOCK SHOULD BE REMOVED FROM LAKE PRIOR TO DRILLING TO MINIMIZE RISK.

Corner Bumper Exploded View

Item	Part No.	Qty.	Description
1	010-00500-00	1	Bumper, Corner
2	001-07100-00	3	Rivet, AS624SF 3/16" x 1 1/2"
3	001-71209-00	3	Washer, Fender 3/16" SS

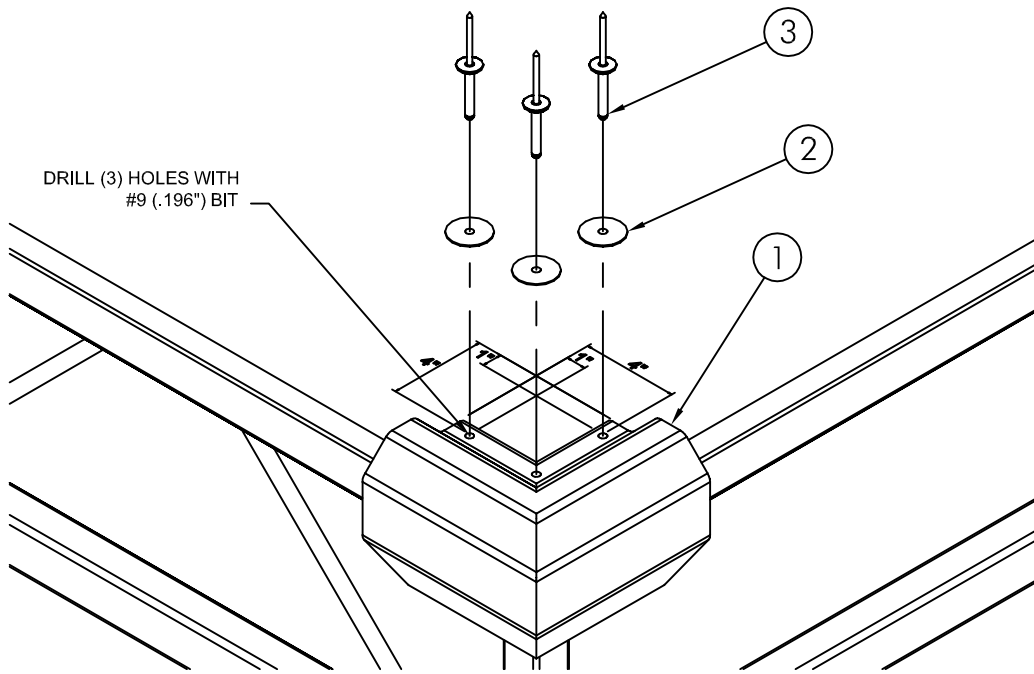


Fig. 1

Step 1

Locate bumper on corner of dock and drill (3) holes with a #9 (.196") in the locations shown by the dimensions in Fig. 1. These holes are to be drilled all the way through the decking material and through the top side of the support tube in the dock frame.

Step 2

Put (3) rivets and (3) fender washers and insert into the holes you drilled through the corner bumper. See Fig. 1. Be sure the rivet is pushed down all the way into the hole you drilled in the top of the dock support tube and secure rivets with rivet tool. See Fig. 2

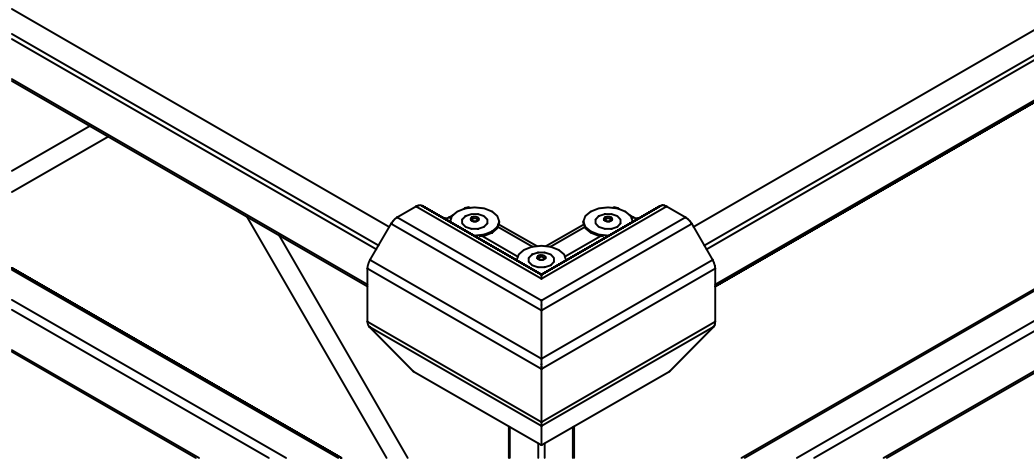


Fig. 2

WARNING: TO AVOID ELECTRIC SHOCK DURING DRILLING. USE OF A GROUND FAULT INTERRUPT CIRCUIT IS REQUIRED. FAILURE TO FOLLOW THIS WARNING MAY RESULT IN DEATH BY ELECTRICUTION. DOCK SHOULD BE REMOVED FROM LAKE PRIOR TO DRILLING TO MINIMIZE RISK.