

# FLOE VERTICAL BUMPERS FOR ROLL-IN AND SECTIONAL DOCKS



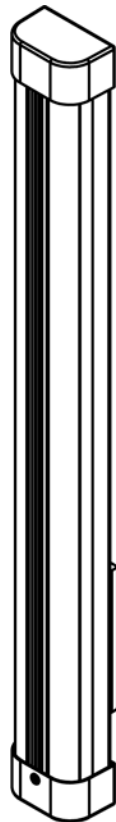
## ASSEMBLY INSTRUCTIONS FOR 30"- 40" BUMPERS

KIT P/N 510-03012-00 (Grey) / 510-03013-00 (Alumi-Grain)

KIT P/N 510-03014-00 (Grey) / 510-03015-00 (Alumi-Grain)



510-03012-00 GREY  
510-03013-00 ALUMA-GRAIN  
30" VERTICAL BUMPER



510-03014-00 GREY  
510-03015-00 ALUMA-GRAIN  
40" VERTICAL BUMPER

### TOOLS REQUIRED

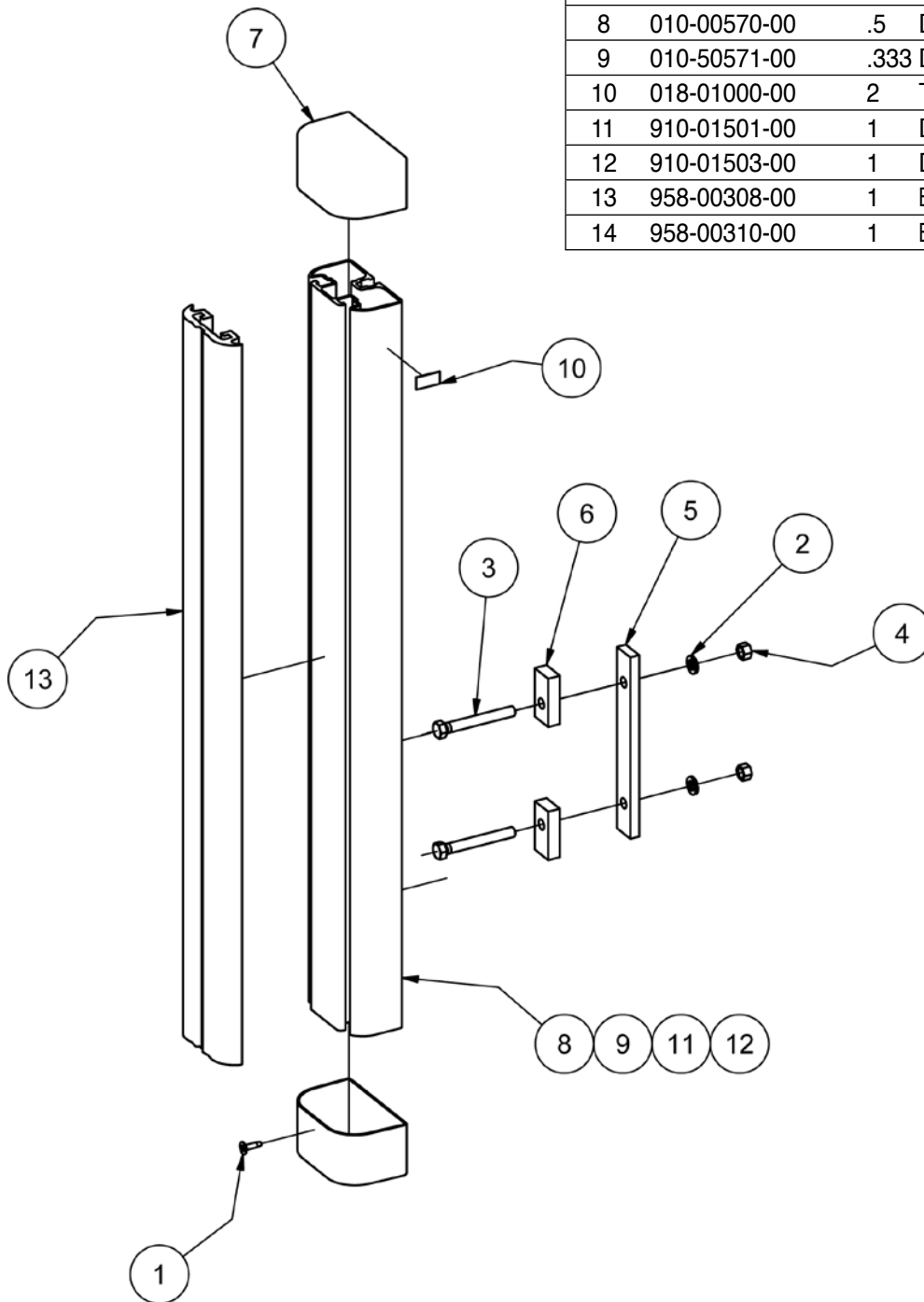
- 9/16" SOCKET
  - 9/16" WRENCH
  - TORQUE WRENCH
  - TAPE MEASURE
  - FRAMING SQUARE
  - CENTER PUNCH
  - CORDLESS DRILL
  - 13/32" DRILL BIT
- REQUIRED FOR ATTACHING TO A SECTIONAL DOCK.

# FLOE VERTICAL BUMPERS FOR ROLL-IN AND SECTIONAL DOCKS

EXPLODED VIEW  
AND PARTS LIST

KIT P/N 510-03012-00 (Grey) / 510-03013-00 (Alumi-Grain)  
KIT P/N 510-03014-00 (Grey) / 510-03015-00 (Alumi-Grain)

Item	Part No.	Qty	Description
1	001-29825-00	1	10-24 X 3/4" SQWF Pre-Assembled
2	001-71067-00	2	3/8" Lock Washer, SS
3	001-71191-00	2	HHCS, 3/8-16 X 3" SS
4	001-76349-00	2	3/8" Nut, Aluminum
5	002-02203-00	1	Plate, Dock Accessory
6	002-02204-00	2	Spacer, Dock Accessory
7	006-14600-00	2	Cap, Vinyl Bumper
8	010-00570-00	.5	Dock Bumper, 40" Aluma-Grain
9	010-50571-00	.333	Dock Bumper, 30" Aluma-Grain
10	018-01000-00	2	Tape, 1" Double Side
11	910-01501-00	1	Dock Bumper, 30"
12	910-01503-00	1	Dock Bumper, 40"
13	958-00308-00	1	Bumper, PVC (Grey) 29.75" Pre-Assembled
14	958-00310-00	1	Bumper, PVC (Grey) 39.75" Pre-Assembled



# INSTALLATION INSTRUCTIONS FOR ROLL-IN DOCKS

KIT P/N 510-03012-00 (Grey) / 510-03013-00 (Alumi-Grain)  
KIT P/N 510-03014-00 (Grey) / 510-03015-00 (Alumi-Grain)

## STEP 1 - - - - -

See Fig. 1

- Slide the top end cap with no drain hole off the bumper.
- Remove hardware package from inside bumper
- Slide (2) 3/8" x 2-3/4" bolts into the groove on the bumper.
- Remove the backing off the double back tape and re-install cap. Press to adhere tape to vinyl cap.

REMOVE CAP  
WITH NO DRAIN HOLE

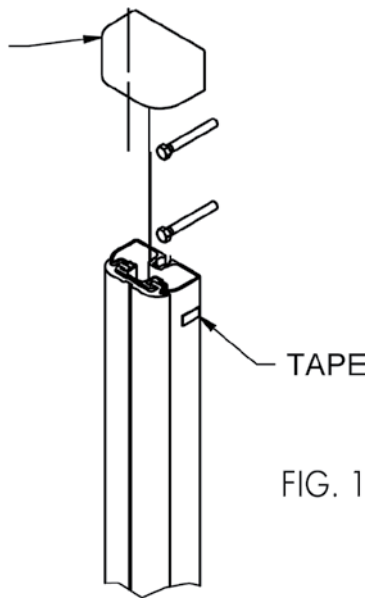
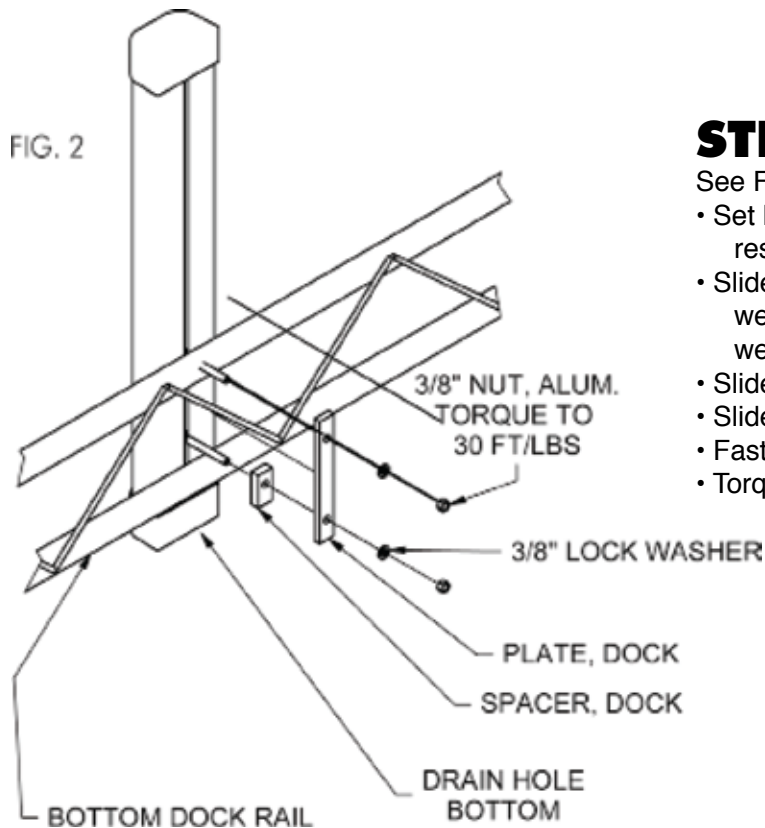


FIG. 1

FIG. 2



## STEP 2 - - - - -

See Fig. 2

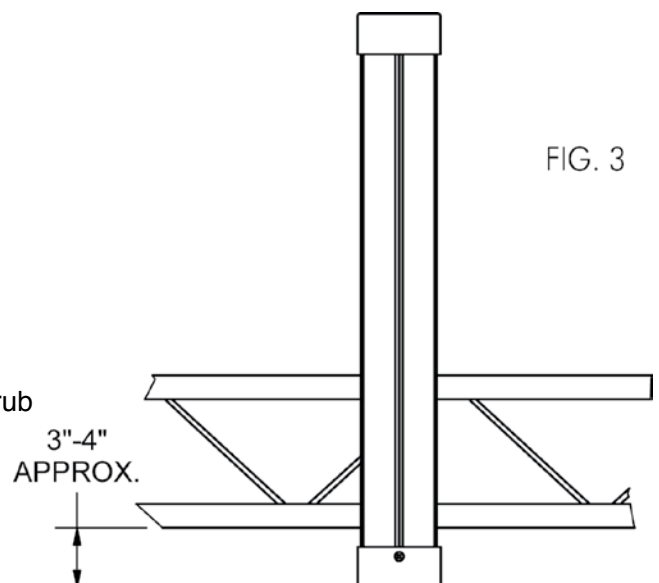
- Set bumper into position so that the bottom bolt rests on the bottom rail of the dock.
- Slide (1) spacer over each bolt. If bolt is close to webbing you do not need to add a spacer. The webbing will act as the spacer.
- Slide the plate onto the bolts.
- Slide 3/8" lock washers onto bolts.
- Fasten with 3/8" aluminum nut.
- Torque to 30 ft/lbs.

FIG. 3

## STEP 3 - - - - -

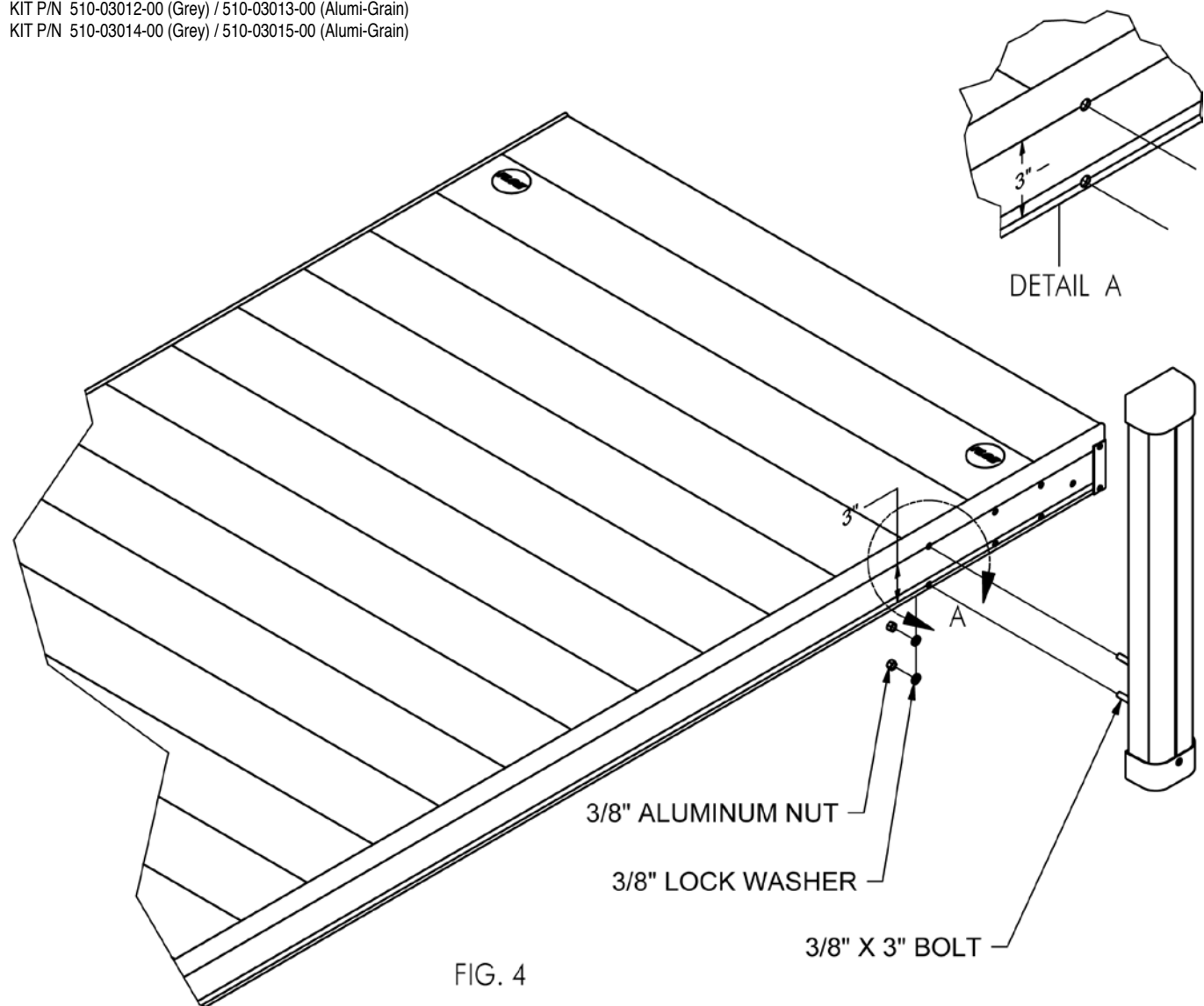
See Fig. 3

- It is recommended that the bottom of the bumper is located 3-4" below the bottom of the dock frame.
- Bumper can be adjusted vertically to accommodate the rub rail height on your boat.



# INSTALLATION INSTRUCTIONS FOR SECTIONAL DOCKS

KIT P/N 510-03012-00 (Grey) / 510-03013-00 (Alumi-Grain)  
KIT P/N 510-03014-00 (Grey) / 510-03015-00 (Alumi-Grain)



- Mounting holes must be drilled using a 13/32" drill bit. After determining the location of the bumper, use a framing square and mark a vertical line across the top and bottom serration (these serrations are 3" apart and are intended to act as a hole spacing reference; refer to detail a).
- Use the hammer and center punch to make a dimple for the drill bit. This helps to prevent the drill from wandering during the drilling process. Keep the drill bit perpendicular to the dock frame while drilling.
- Insert (2) 3/8 x 3" bolts through the mounting holes of the ladder and through the dock side.
- Place (2) lock washers and (2) aluminum nuts on the bolts, and torque to 30 ft/lbs., making sure the bumper is square to the dock.