

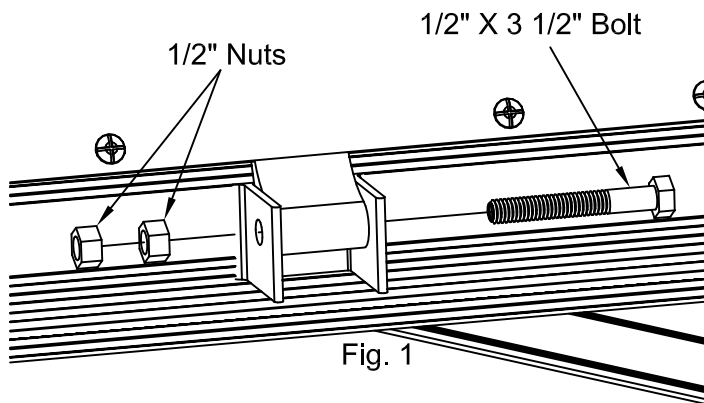


# FLOE RAMP/SHIELD

## ASSEMBLY INSTRUCTIONS

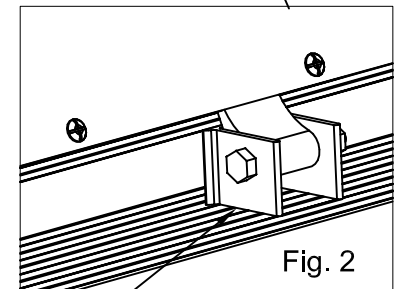
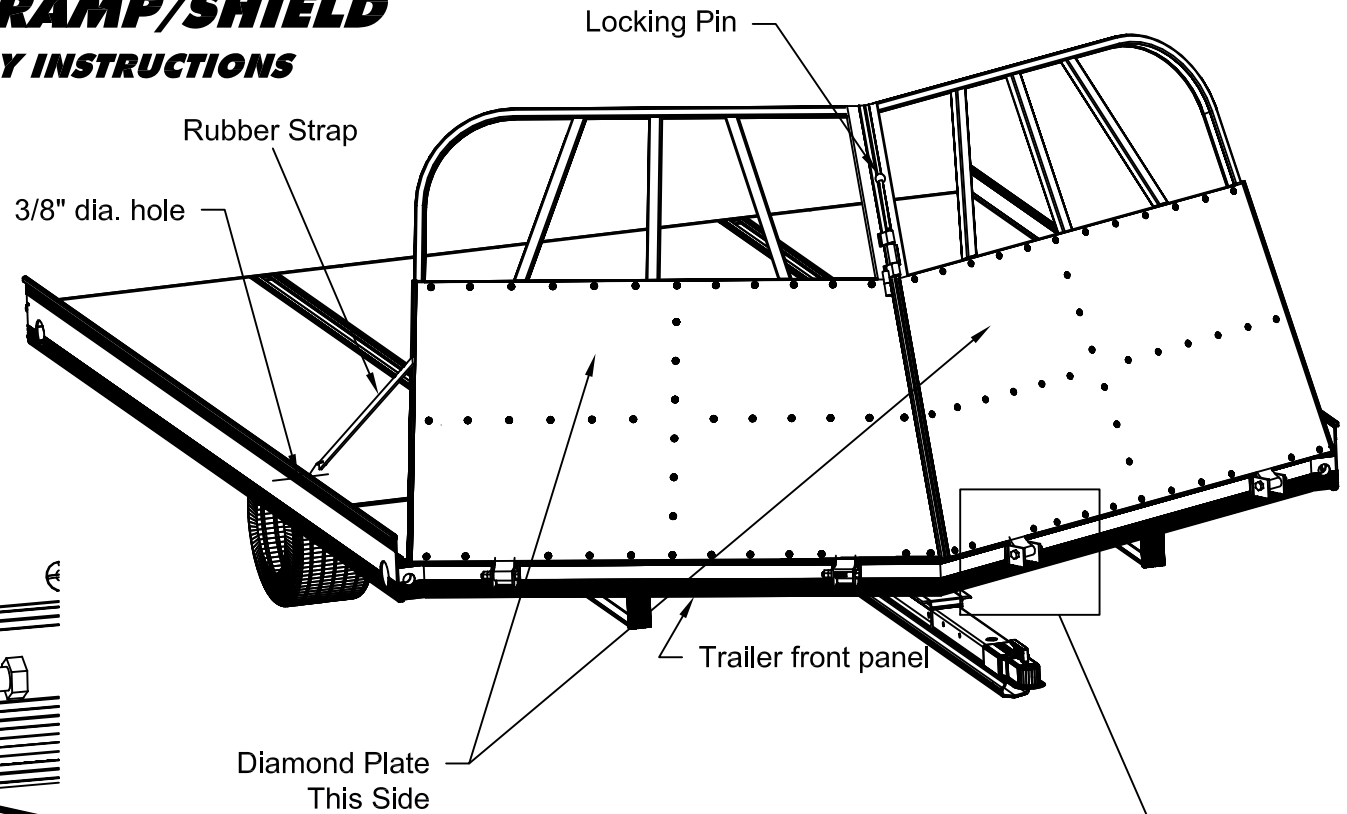
### Parts List

- (1) Ramp/Shield Hardware Kit  
P/N 001-04510-00
- (1) Driver side Ramp/Shield Ass'y  
P/N 149-00503-00
- (1) Passenger side Ramp/Shield Ass'y  
P/N 149-00504-00



1. Mount hinge brackets to ramp hinge, using 1/2" x 3 1/2" bolt and 1/2" nuts. See Fig. 1.
2. Set ramps on trailer and insert the locking pin into the lock pin bracket.
3. Center ramp on trailer and clamp (4) hinge brackets to the trailer front panel.
4. Using a center punch, mark the (2) hole locations from each bracket to the trailer front panel.

5. Pre drill holes using a 1/8" drill bit, then drill 13/32" dia. holes.
6. Insert 3/8" x 1 1/4" bolts thru the hinge bracket and trailer panel and place backing plate on the back side of trailer front panel. Tighten using 3/8" nuts and lock washers. Torque to 45 ft./lbs.
7. Drill a 3/8" dia. hole thru the trailer side panel 30" back from the front. Locate hole under top lip of side panel. Hook rubber straps thru this hole.



Clamp hinge brackets to trailer and mark holes. (See steps 3-6)

Manufactured by  
Floe International, Inc.  
48473 State Hwy 65  
McGregor, MN 55760