

TOOLS REQUIRED:

TROUBLE LIGHT

DRILL

DRILL BITS: 3/16", 13/32" 29/64"

LETTER "D" .246 DIA

1/2 & 9/16 OPEN END WRENCHES

9/16 (3/8 DRIVE) DEEP SOCKETS

3/8 DRIVE RATCHET

HAMMER

SCRIBE

CENTER PUNCH

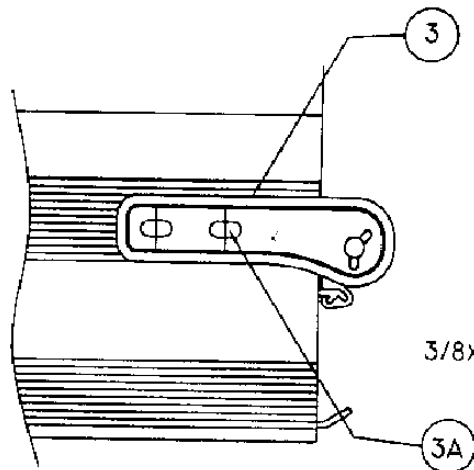
SCREW DRIVER

RUBBER HAMMER

(2) 2" X 4" X 52" LONG PCS WOOD

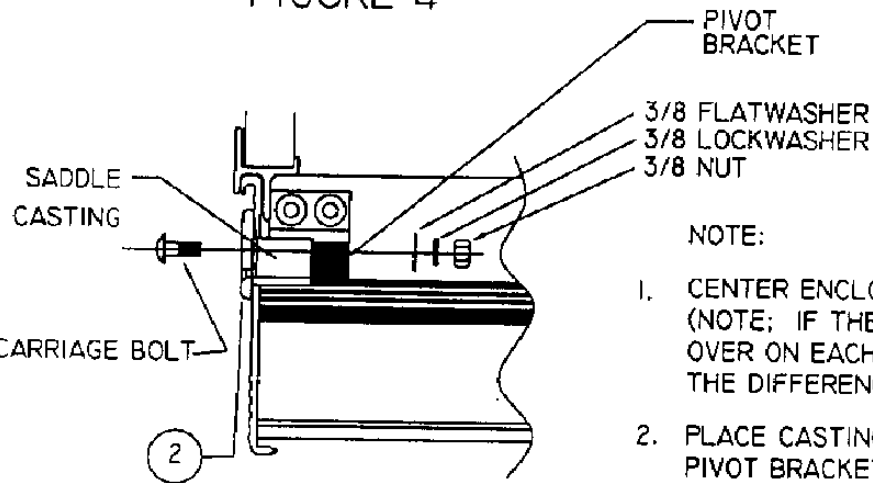
PROTEKTOR INSTALLATION INSTRUCTIONS:

FIGURE 3



SIDE

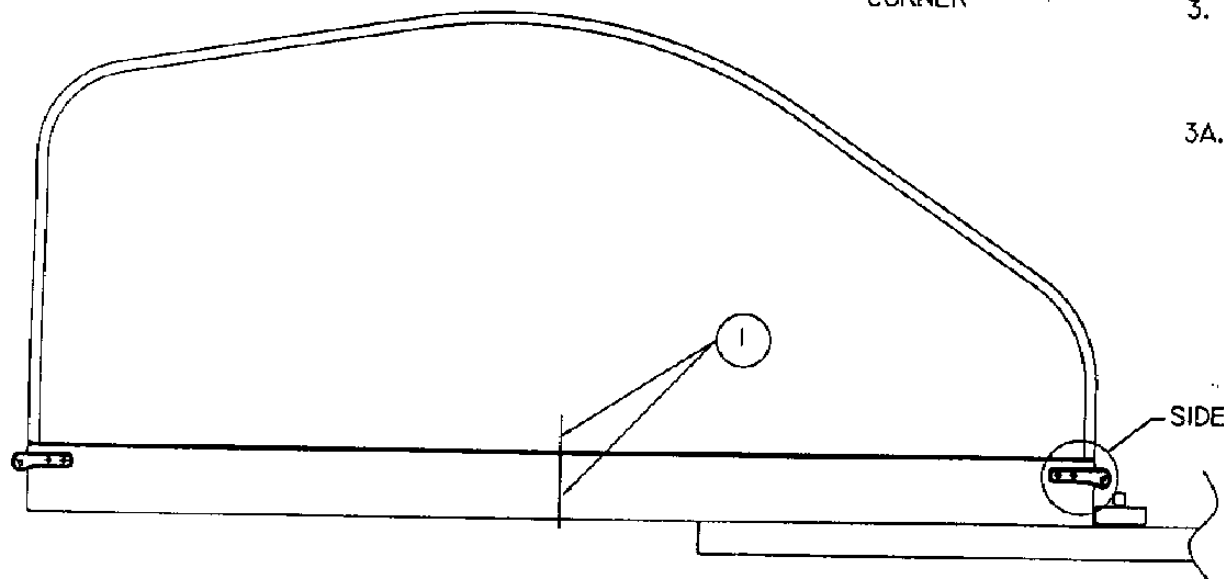
FIGURE 4



CORNER

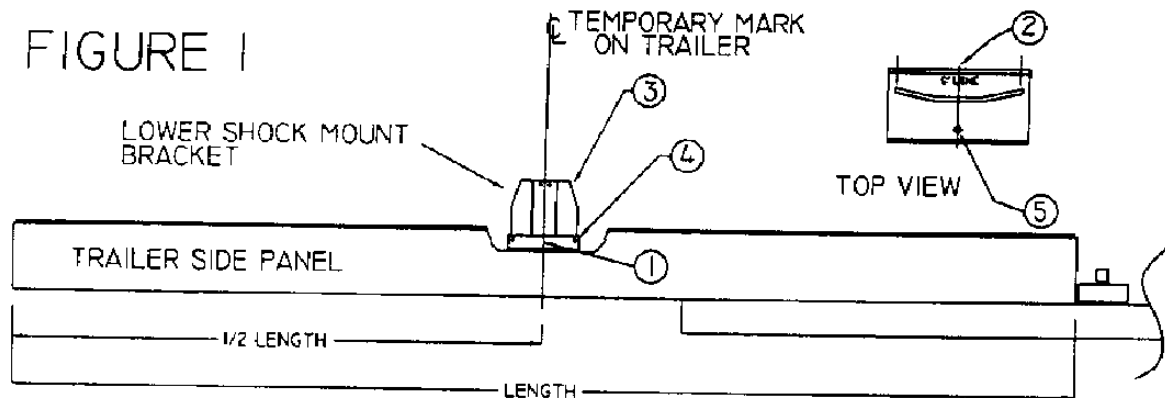
NOTE:

1. CENTER ENCLOSURE ON TRAILER (NOTE; IF THE ENCLOSURE EXTENDS OVER ON EACH END YOU MUST SPLIT THE DIFFERENCE).
2. PLACE CASTING AS SHOWN AGAINST PIVOT BRACKET. SNUG CASTING SADDLE INTO PIVOT.
3. ALIGN TOP EDGE OF CASTING PARALLEL WITH LINES ON SIDE OF TRAILER, MARK CENTER LINE OF BOTH SLOTS ON TRAILER.
- 3A. PILOT DRILL 3/16" DIA. HOLE (2 PLACES) THEN DRILL 13/32 DIA. THRU (2 PLACES) INSTALL ON TRAILER WITH 3/8" x 1" CARRIAGE BOLTS, FLATWASHERS AND LOCKWASHERS AND NUTS (DO NOT TIGHTEN) SNUG UP ONLY. (TYP ALL CORNERS).



PROTEKTOR INSTALLATION INSTRUCTIONS:

FIGURE 1



NOTES:

1. MARK CENTER OF TRAILER SIDE PANELS (INSIDE AND OUTSIDE) ALSO MARK CENTER OF LOWER SHOCK MOUNT BRACKETS.
2. MATCH CENTER OF LOWER SHOCK MOUNT WITH SIDE PANEL CENTER LINES
3. CLAMP LOWER SHOCK MOUNTS TO SIDE PANEL (BOTH SIDES OF TRAILER) CENTER PUNCH HOLES AND DRILL WITH 3/16" DIA. THEN RE-DRILL USING 29/64" DIA.
4. MOUNT LOWER SHOCK MOUNTS USING 3/8" x 1" CARRIAGE BOLTS, LOCK WASHERS AND NUTS.
5. DRILL 29/64" HOLE THRU DECK USING PRE-DRILLED HOLE IN LOWER SHOCK MOUNT (BOTH SIDES). MOUNT WITH 3/8" x 2" CARRIAGE BOLTS, LOCK WASHERS AND 2" x 3" BACKING PLATE AND NUTS UNDER DECK.
6. MOUNT 5/16 BALL STUDS USING 5/16 LOCKWASHER & NUTS.

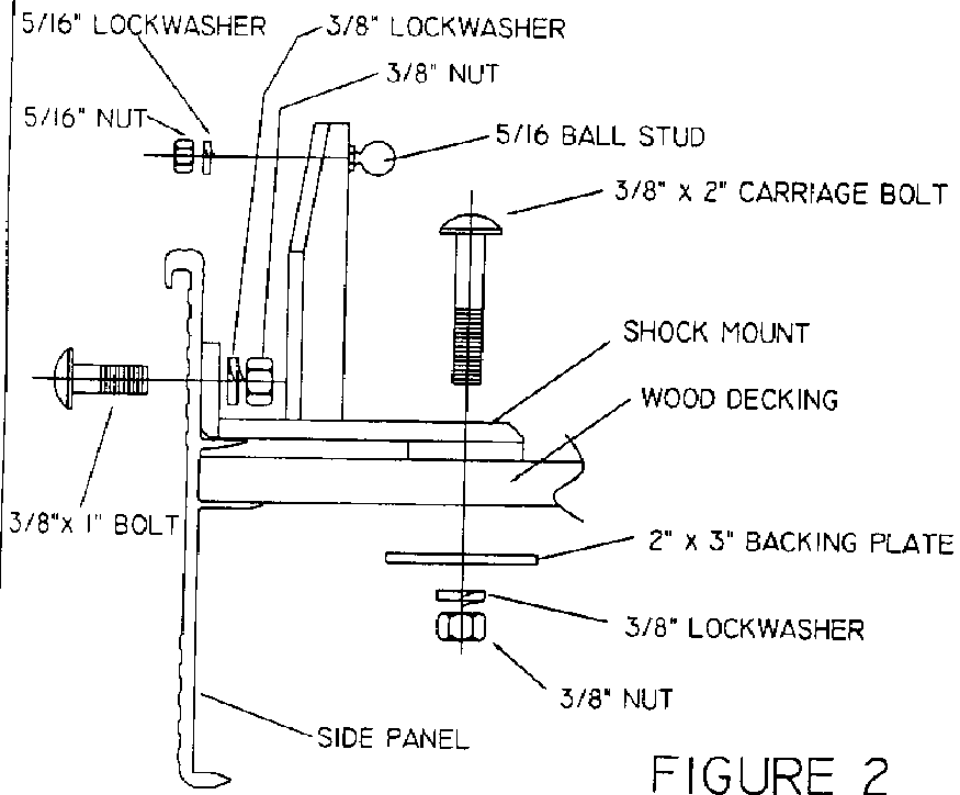


FIGURE 2

FRONT/REAR VIEW