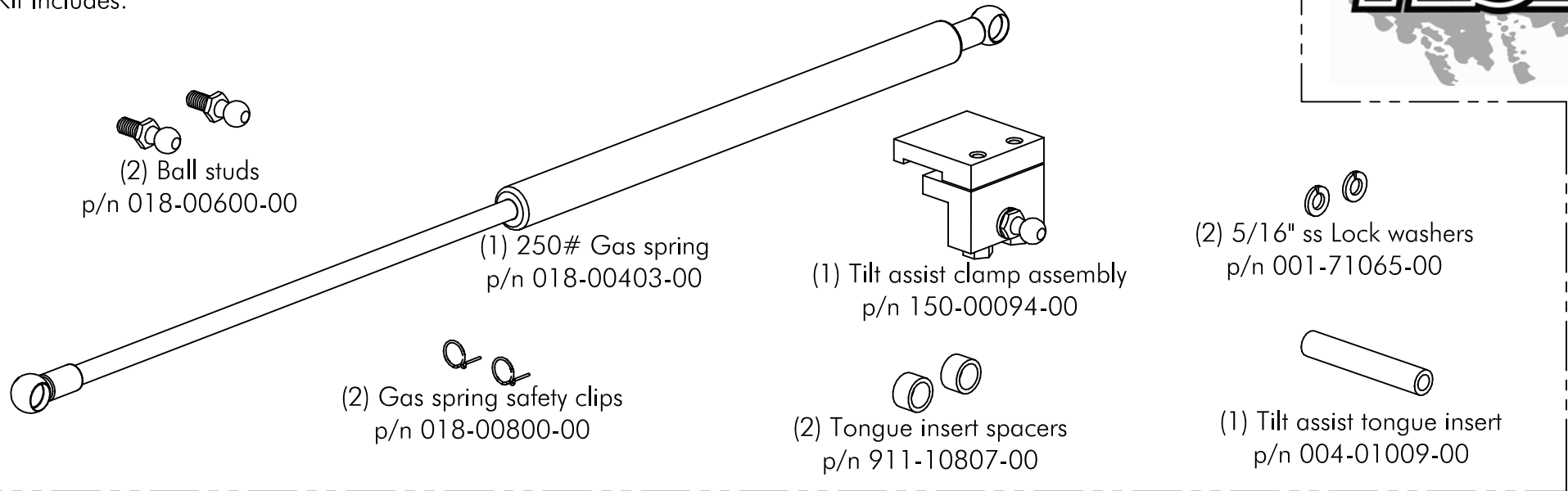


# FLOE TILT ASSIST UPDATE INSTRUCTIONS

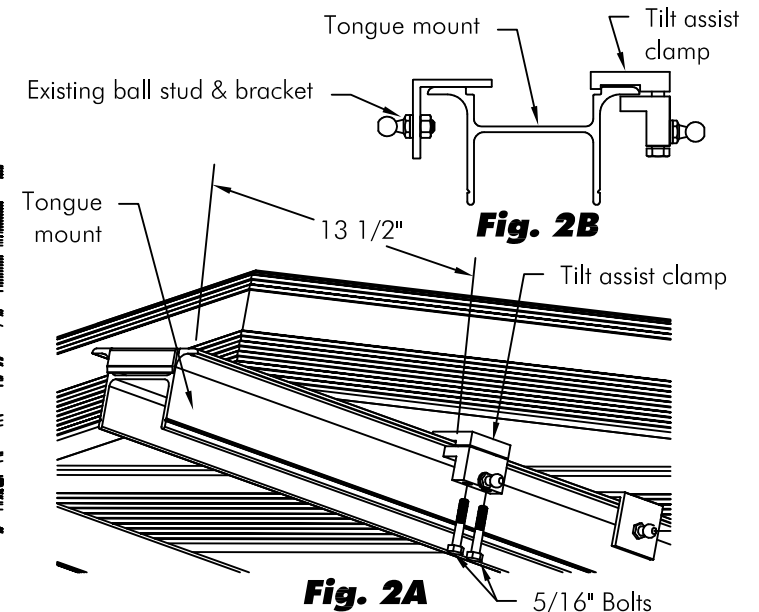
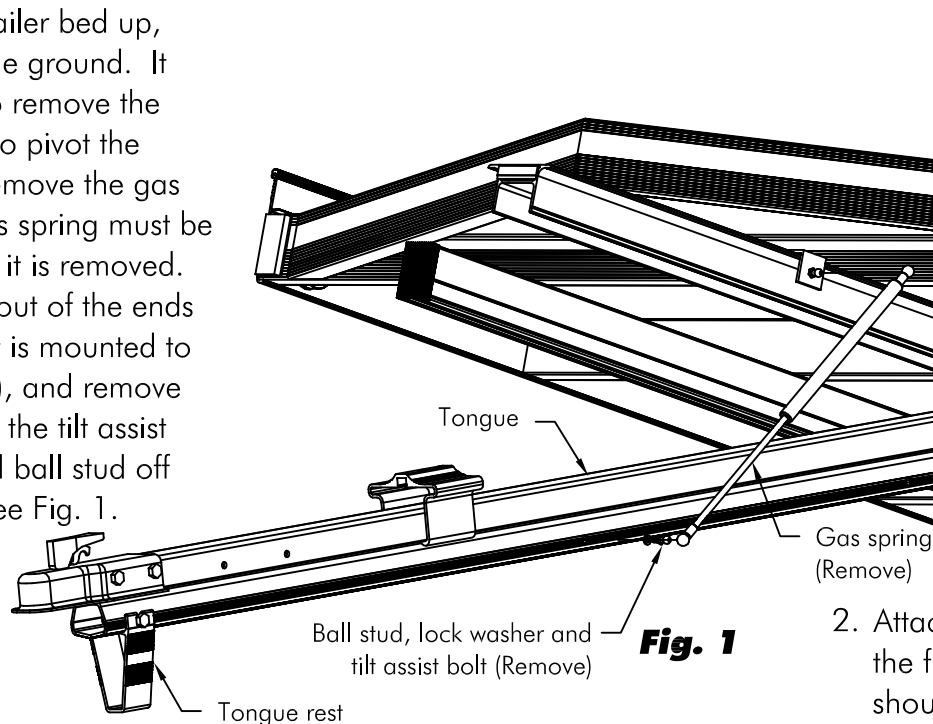
## FOR V-FRONT/TILT TRAILERS WITH OPTIONAL RAMP/SHIELD



Kit Includes:



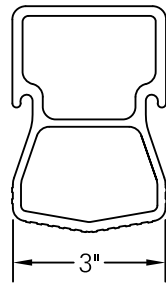
1. Tilt the front of the trailer bed up, with the tongue on the ground. It may be necessary to remove the tongue rest in order to pivot the tongue enough to remove the gas spring. Note: The gas spring must be fully extended before it is removed. Take the safety clips out of the ends of the gas spring that is mounted to the trailer (see Fig. 6), and remove the gas spring. Take the tilt assist bolt, lock washer and ball stud off the trailer tongue. See Fig. 1.



2. Attach the tilt assist clamp to the tongue mount 13 1/2" from the front end as shown in Fig. 2A & 2B. Tilt assist clamp should line up with existing ball stud bracket on opposite side of tongue mount. Torque the 5/16" bolts to 35 ft/lbs.

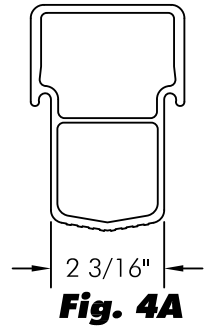
# FLOE TILT ASSIST UPDATE INSTRUCTIONS

3. Determine which style tongue your trailer has by looking at the end of your trailer tongue and comparing it to Fig. 3A and Fig. 4A. For tongues similar to Fig. 3A, screw a ball stud and lock washer onto one end of the tilt assist tongue insert. Place the insert in the hole that is 17 1/2" from the back of the tongue and through the other side. Attach the ball stud with a lock washer to the other side of the insert as shown in Fig. 3B. Torque ball studs to 25 ft/lbs.

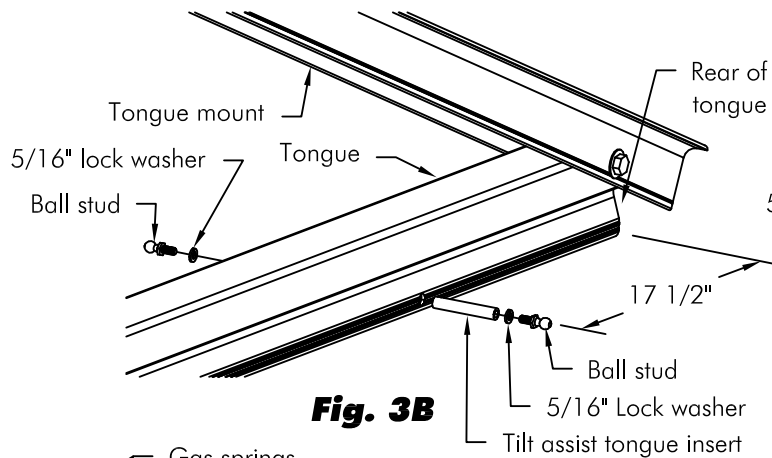


**Fig. 3A**

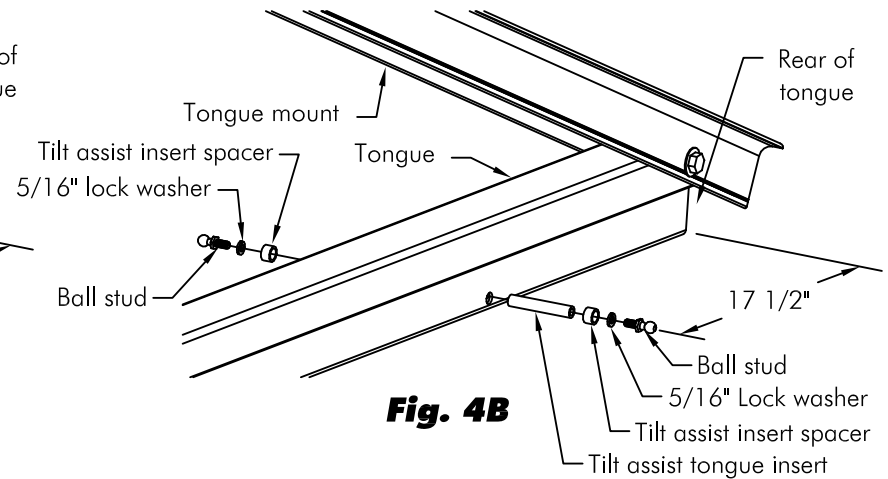
4. If your tongue is similar to Fig. 4A, you will need to drill the hole that is 17 1/2" from the back of the tongue larger using a 1/2" drill bit. Screw a ball stud and lock washer onto one end of the tilt assist tongue insert. Slide one tilt assist insert spacer over the insert and up to the lock washer. Insert the tilt assist tongue insert through the  $\text{\O}1/2"$  hole so it sticks out the other side. Slide the other spacer over the end of the insert and fasten a ball stud and lockwasher. Torque ball studs to 25 ft/lbs.



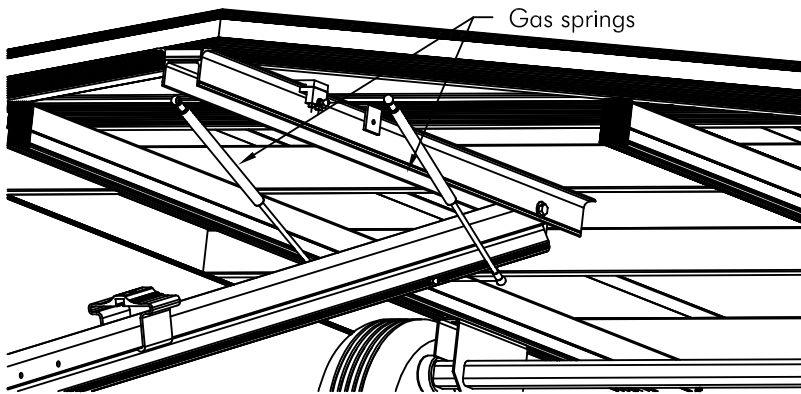
**Fig. 4A**



**Fig. 3B**

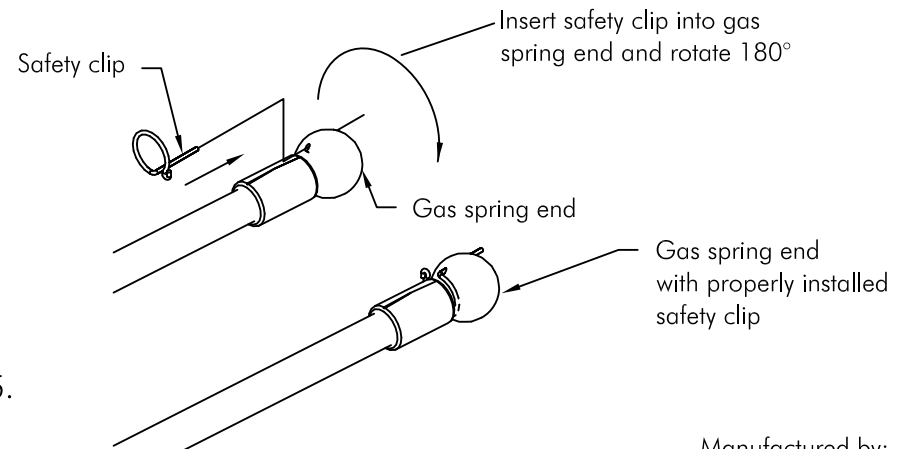


**Fig. 4B**



**Fig. 5**

5. Attach one gas spring to each side of the trailer tongue. See Fig.5. Secure the gas springs to the ball studs by inserting safety clips to both ends of the gas springs as shown in Fig. 6. NOTE: Trailers without a rampshield only require one gas spring.



**Fig. 6**