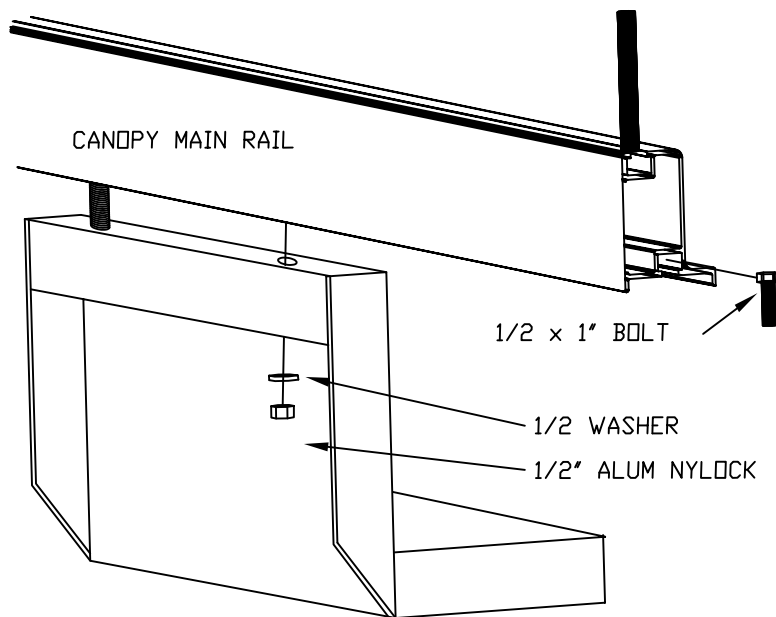
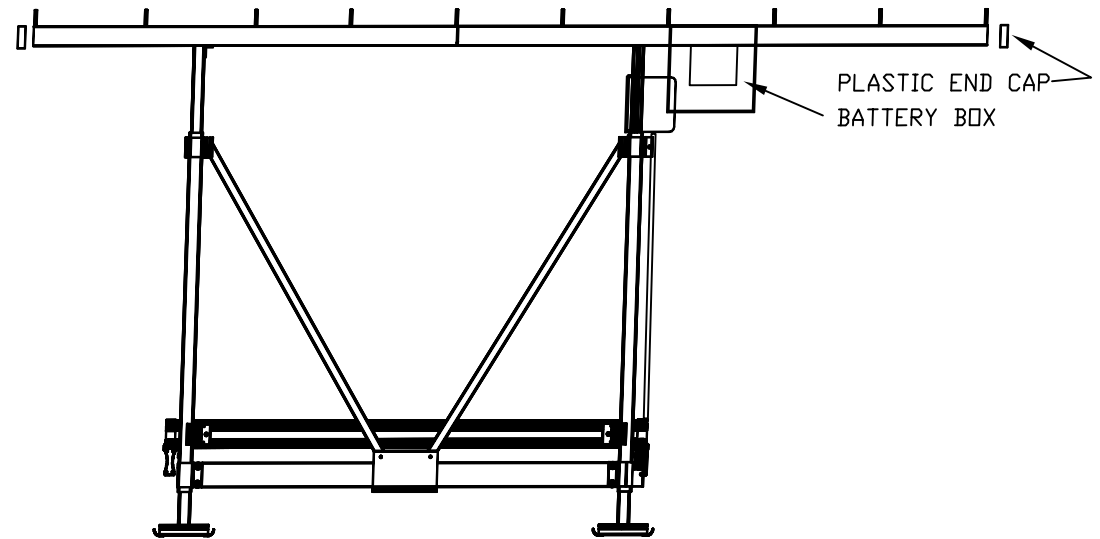


FLOE INT'L CORP

BATTERY TRAY



- STEP 1 RAISE PLASTIC CAP LOCATED ON FRONT OF THE CANOPY MAIN RAIL. SLIDE 2 - 1/2 X 1" BOLTS INTO TRACK.
- STEP 2 SLIDE BOLTS TO MOUNTING LOCATION.
- STEP 3 MOUNT THE AUXILIARY BATTERY TRAY TO THE MAIN RAIL USING 1/2" NYLOCKS AND WASHERS. BE SURE NUTS ARE TIGHT.