

FLOE 24 VOLT SOLAR PANEL

ASSEMBLY INSTRUCTIONS

FOR 6000-7500# VSD BOAT LIFTS WITH A CANOPY

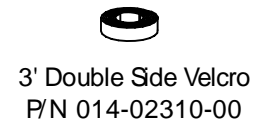
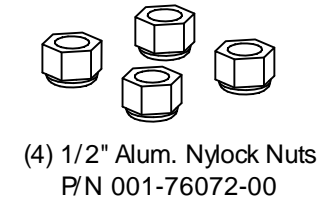
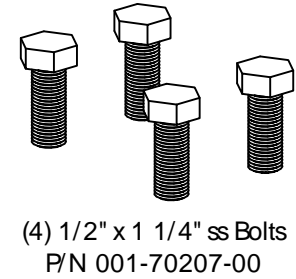
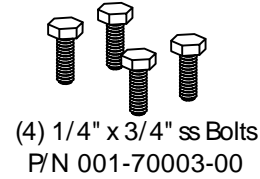
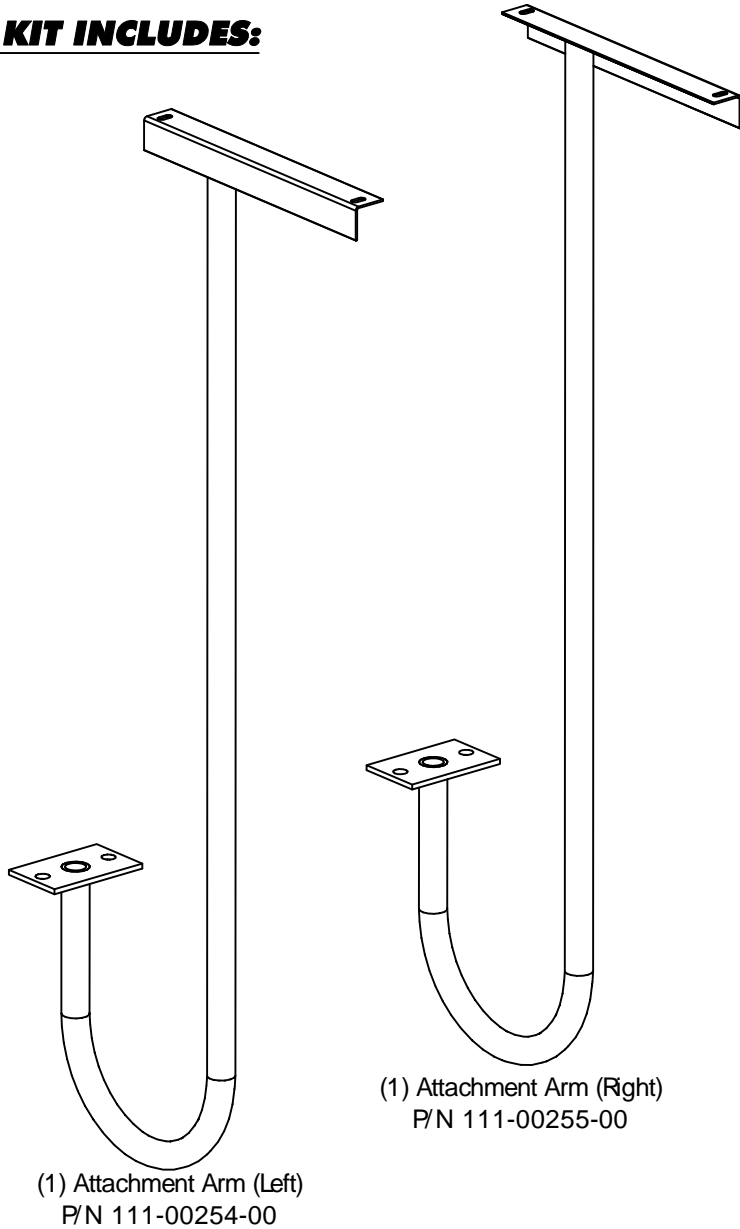
P/N 511-01320-00

Tools Required:

- 7/16" Wrenches or sockets
- 3/4" Wrench or socket
- Knife



KIT INCLUDES:



FLOE 24 VOLT SOLAR PANEL FOR 6000-7500# VSD BOAT LIFTS WITH A CANOPY

1. Assemble the solar panel to the attachment arms using (4) 1/4" x 3/4" bolts, flat washers, and nuts. Tighten lock nuts just enough to snug solar panel to attachment arms. Use caution not to overtighten or crush solar panel. Note that the angles should point towards each other and be flush with the outside of the solar panel. See Fig. 1.

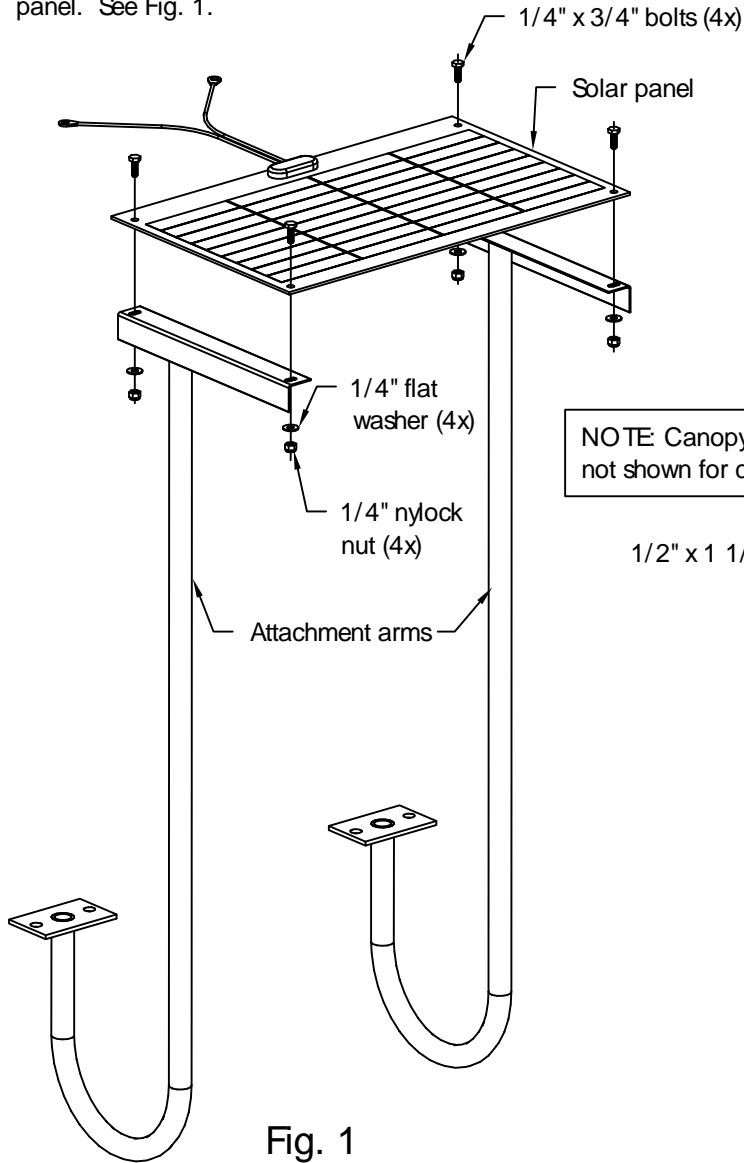


Fig. 1

2. Pull cap off the end of the canopy rail that is nearest the drive train box and slide (4) 1/2" x 1 1/4" bolts into canopy rail track. Side cap back over canopy rail.

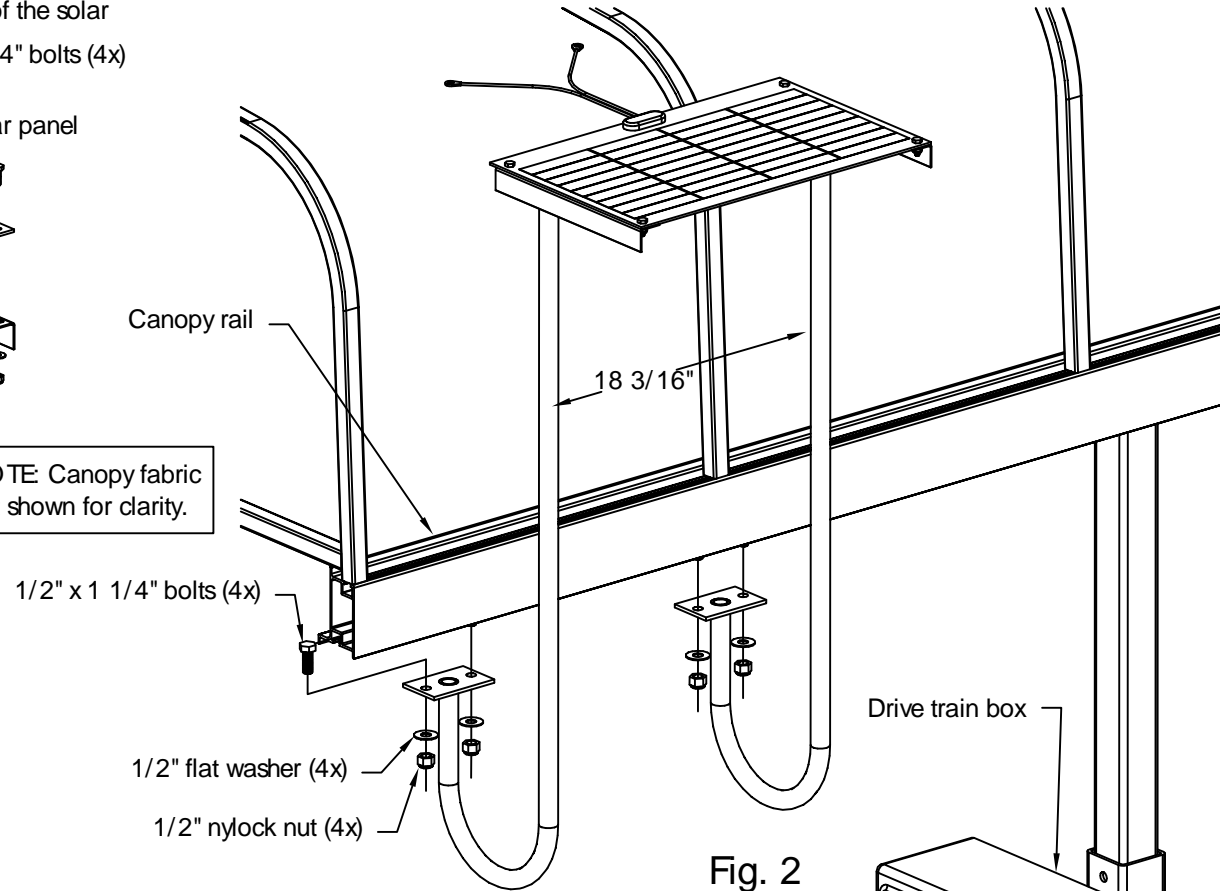
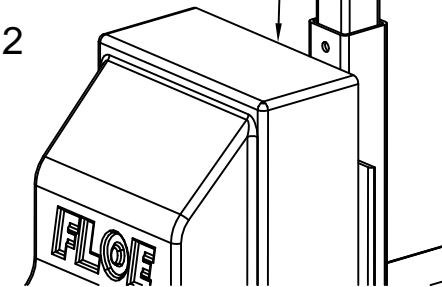


Fig. 2

3. Attach the solar panel attachment arms to the canopy rail using the 1/2" x 1 1/4" bolts installed in step 2 and 1/2" nylock nuts and flat washers as shown in Fig. 2. Attachment arms should be attached so they are equally spaced and parallel to each other. The distance from inside to inside of the attachment arm tubes should be approximately 18 3/16" as shown in Fig. 2. Torque to 40 ft/lbs.



FLOE 24 VOLT SOLAR PANEL

FOR 6000-7500# VSD BOAT LIFTS WITH A CANOPY

4. Run the solar panel wire down the attachment arm nearest the drive train box and then along the bottom side of the canopy rail and down the canopy rail insert to the battery tray. Cut the 1/2" Velcro to lengths needed to secure the wire to the attachment arms and canopy rail. Place the battery in the battery box and set on the battery tray. See Fig. 3.

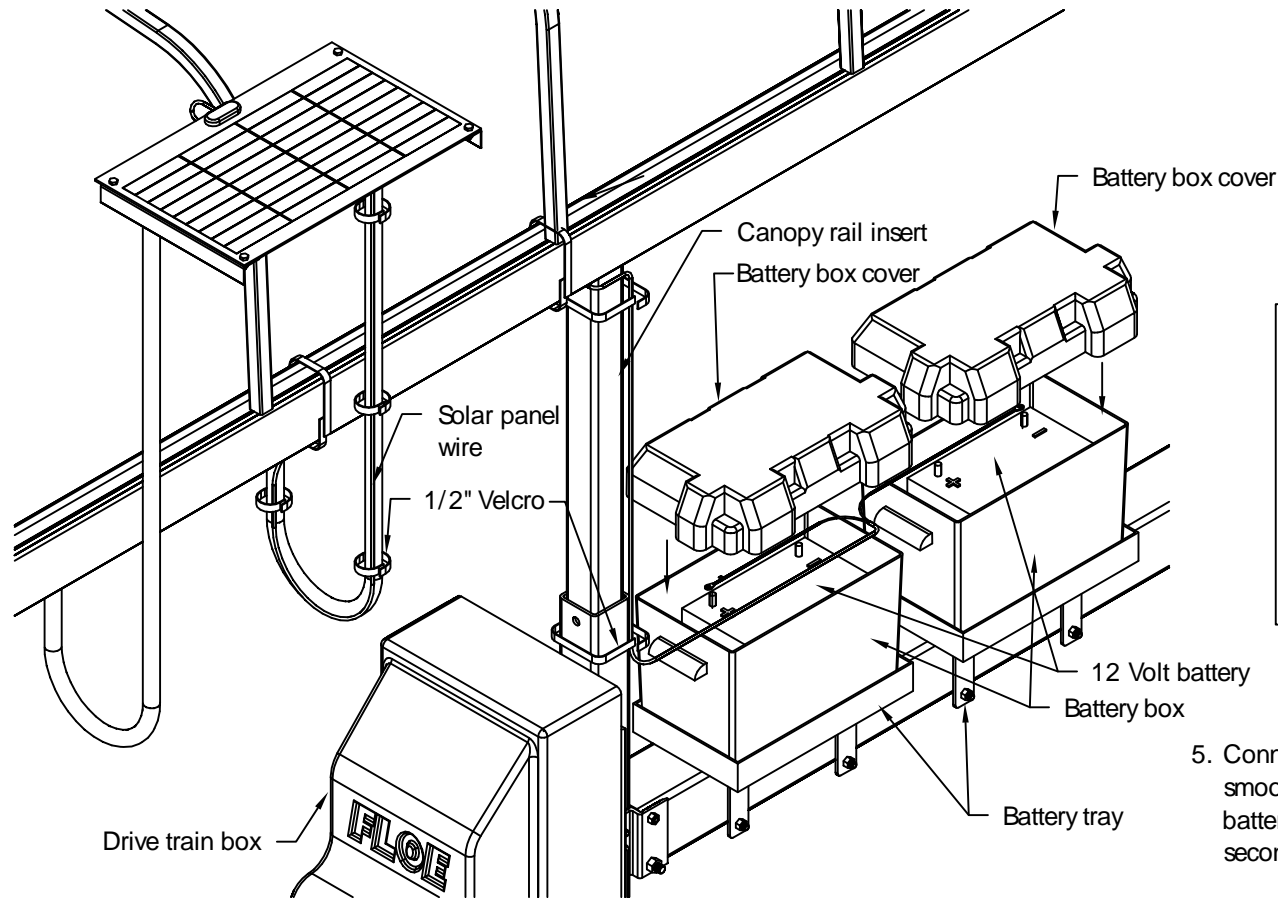


Fig. 3

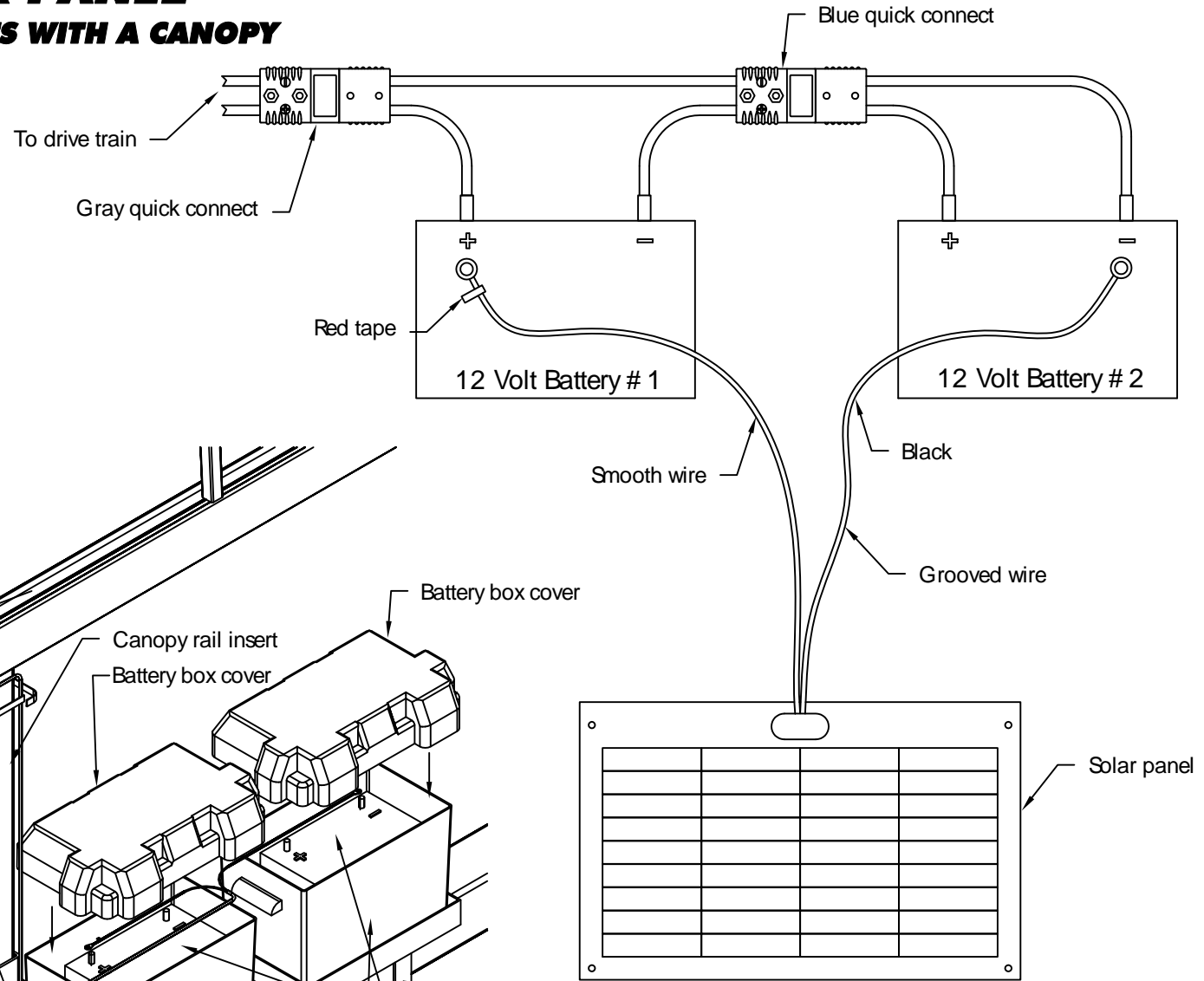


Fig. 4

5. Connect the solar panel to the battery as shown in Fig. 4. The smooth wire with red tape connects to the positive post of the first battery and the grooved wire connects to the negative post of the second battery. Strap the battery box cover to the battery box.