

# FLOE BATTERY BOX ASSEMBLY W/ VOLT METER

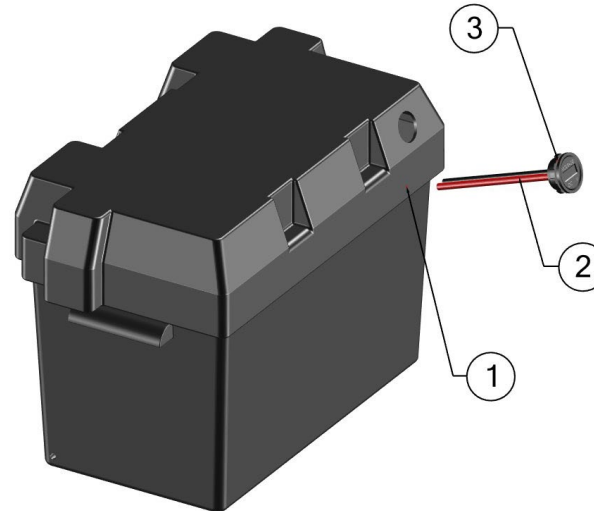
## ASSEMBLY INSTRUCTIONS

P/N 111-00461-00

BILL OF MATERIALS



ITEM NUMBER	PART NUMBER	DESCRIPTION	QTY
1	002-03108-01	Battery Box, Fabbed for Volt Meter	1
2	007-05367-00	Harness, Battery Box Volt Meter	1
3	007-05368-00	Meter, 12 Volt LED	1



### ASSEMBLY

1. PLACE BATTERY INSIDE OF BATTERY BOX.
2. PLUG THE RED WIRE FROM HARNESS ONTO POSITIVE TERMINAL ON VOLT METER AND BLACK WIRE ONTO NEGATIVE TERMINAL ON VOLT METER. TERMINALS ARE LABELED WITH A PLUS AND MINUS FOR POSITIVE AND NEGATIVE RESPECTIVELY.
3. CONNECT AND SECURE THE RING TERMINAL FROM THE RED WIRE TO POSITIVE TERMINAL OF THE BATTERY AND THE RING TERMINAL FROM THE BLACK WIRE TO THE NEGATIVE TERMINAL OF THE BATTERY.
4. PLACE BATTERY BOX COVER OVER BATTERY COVER AND SECURE WITH INCLUDED BATTERY STRAP.

© Manufactured by:  
Floe International Inc.  
48473 State Hwy. 65  
McGregor, MN 55760  
www.floeintl.com

INSTRUCTION P/N: 611-00461-00

RELEASED 5/2/24