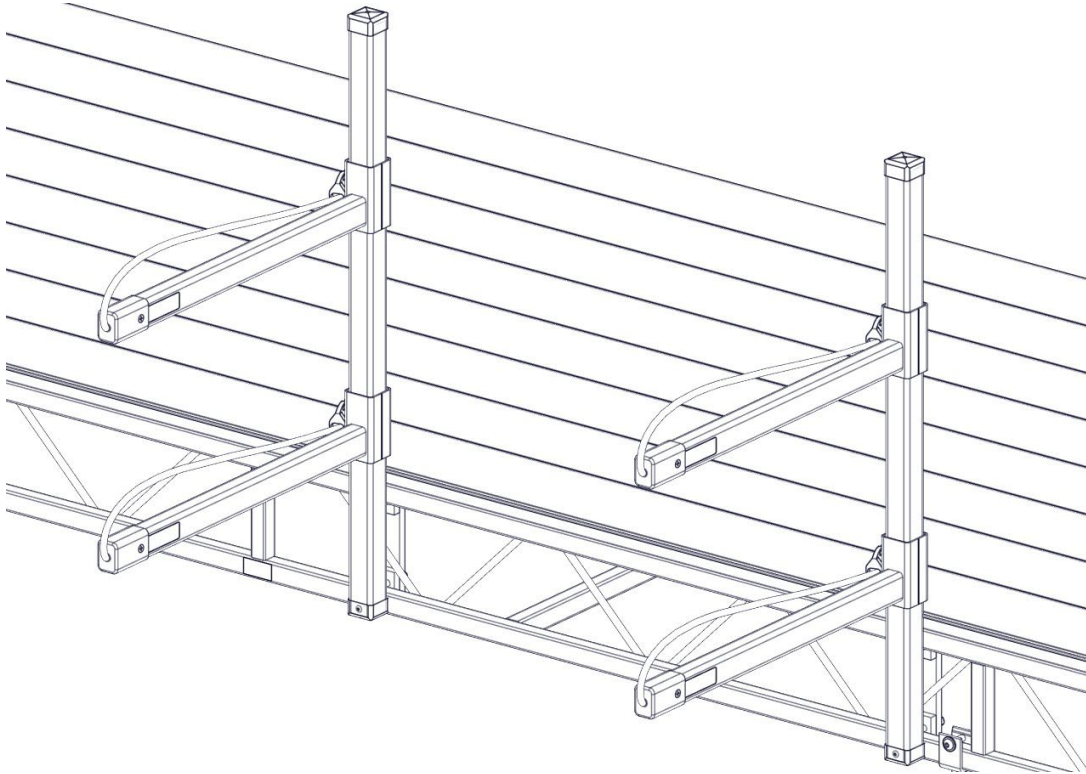


FLOE TWO TIER ACCESSORY RACK

ASSEMBLY INSTRUCTIONS

KIT P/N 510-41560-01, 510-41561-00



***DOCK SECTION & LEGS NOT INCLUDED**

ACCESSORY ATTACHMENT KITS

**THESE ARE REQUIRED IN ADDITION TO THE
ACCESSORY RACK KIT, SPECIFIC TO EACH DOCK
STYLE**

- 510-02332-00 (STANDARD ROLL-IN DOCKS)
- 510-02333-00 (STANDARD SECTIONAL DOCKS)
- 510-02345-00 (FLOATING DOCKS)
- 510-02602-00 (QUICK ATTACH ROLL-IN DOCKS
(BRACKETS & HARDWARE))
- 510-02572-00 (QUICK ATTACH SECTIONAL DOCKS
(BRACKETS & HARDWARE))

TOOLS REQUIRED

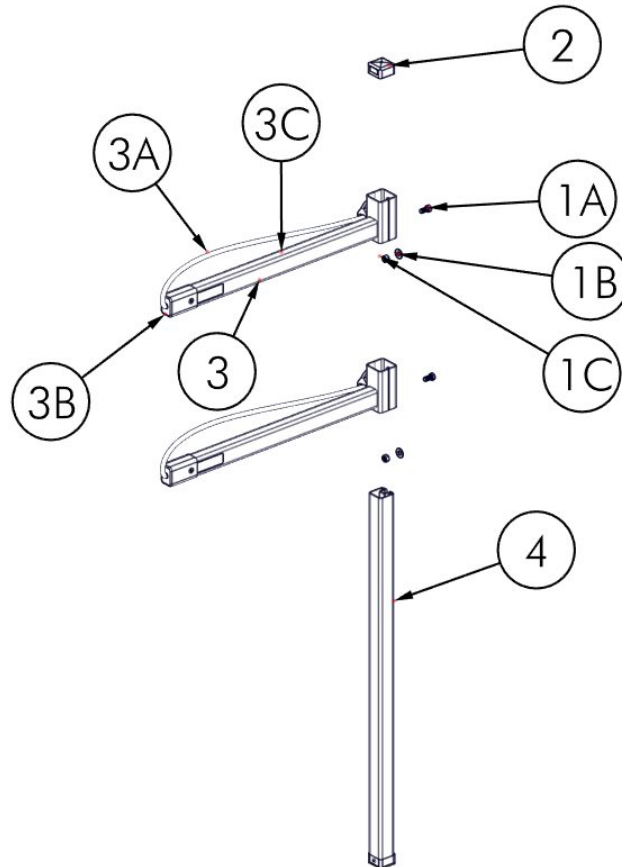
- 9/16" SOCKET/WRENCH
- TORQUE WRENCH
- TAPE MEASURE

BILL OF MATERIALS

P/N 510-41560-01		RACK, WATER ACC. – 2 TIER	
NUMBER	PART NUMBER	DESCRIPTION	QTY
1	001-41560-01	FASTENERS, ASS'Y HRDW. WATER ACCESSORY RACK	1
2	010-00310-00	CAP, GREY 1.7" X 1.7" X 1" W/ VHB	2
3	110-00122-00	ASS'Y, WATER ACCESSORY RACK BRACKET	4
4	110-00195-00	UPRIGHT, WATER ACCESSORY RACK	2

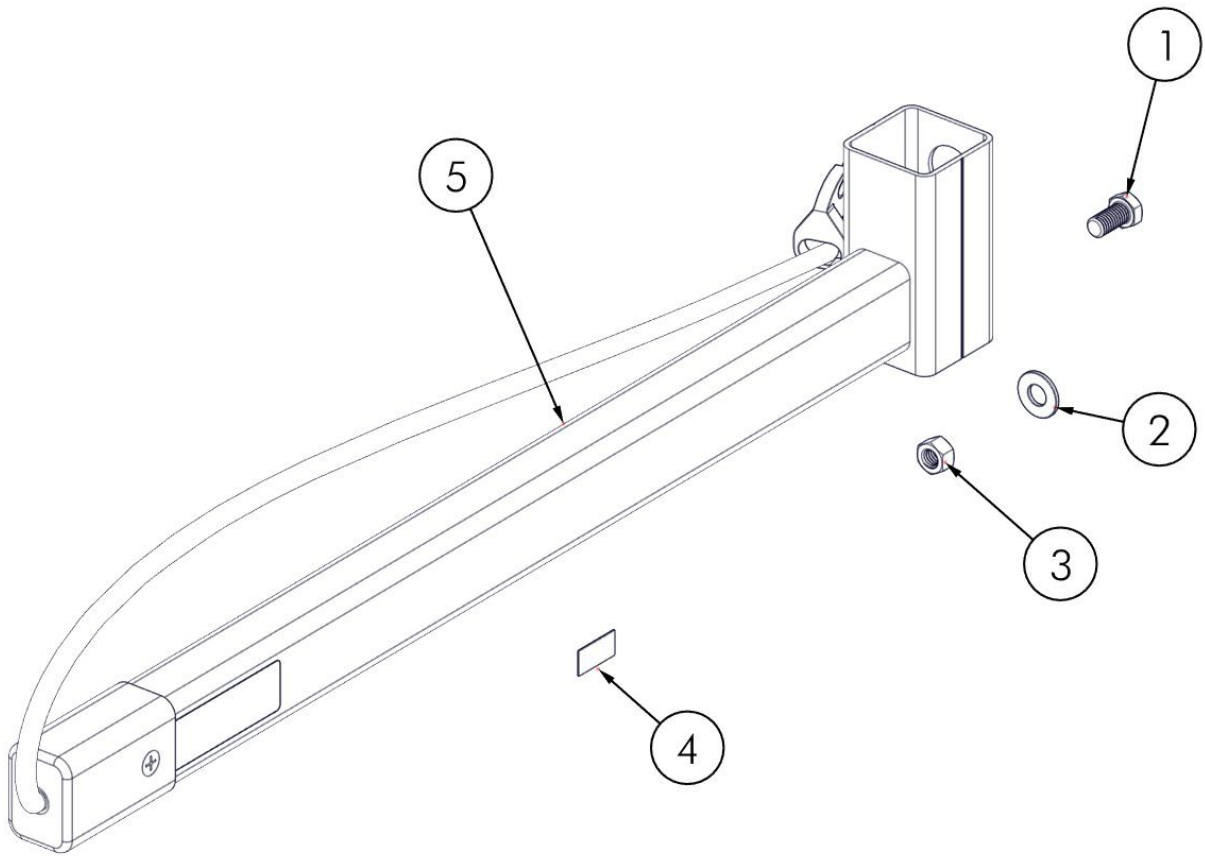
P/N 001-41560-01		FASTENERS, ASS'Y HRDW. WATER ACCESSORY RACK	
NUMBER	PART NUMBER	DESCRIPTION	QTY
1A	001-70103-00	HHCS, 3/8-16 X 3/4" 18-8 SS	4
1B	001-71017-00	FLAT WASHER, 3/8" SAE SS 18-8	4
1C	001-76349-00	NUT, 3/8-16 ALUM.	4

P/N 110-00122-00		ASS'Y, WATER ACCESSORY RACK BRACKET	
NUMBER	PART NUMBER	DESCRIPTION	QTY
3A	010-00100-00	SHOCK CORD, LOOP AND HOOK	1
3B	010-00300-00	CAP, GREY 1.25" X 1.75" X 3" W/ HOLE	1
3C	110-00193-00	WELD'T, WATER ACCESSORY RACK BRACKET	1



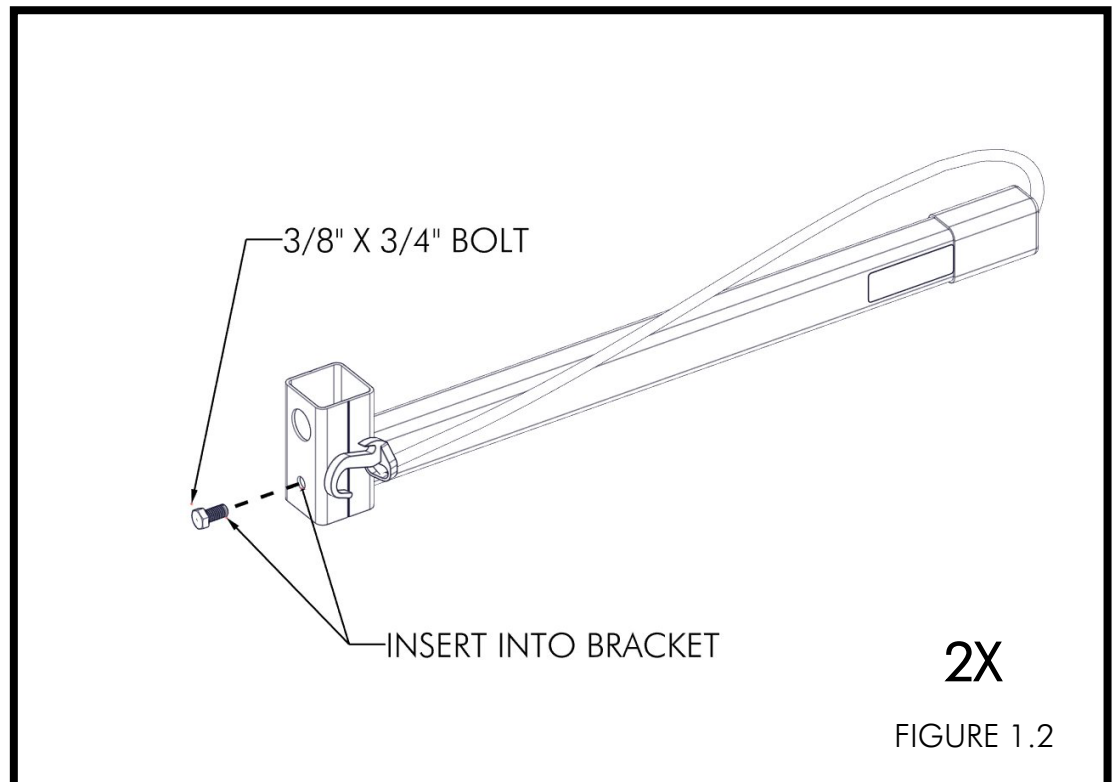
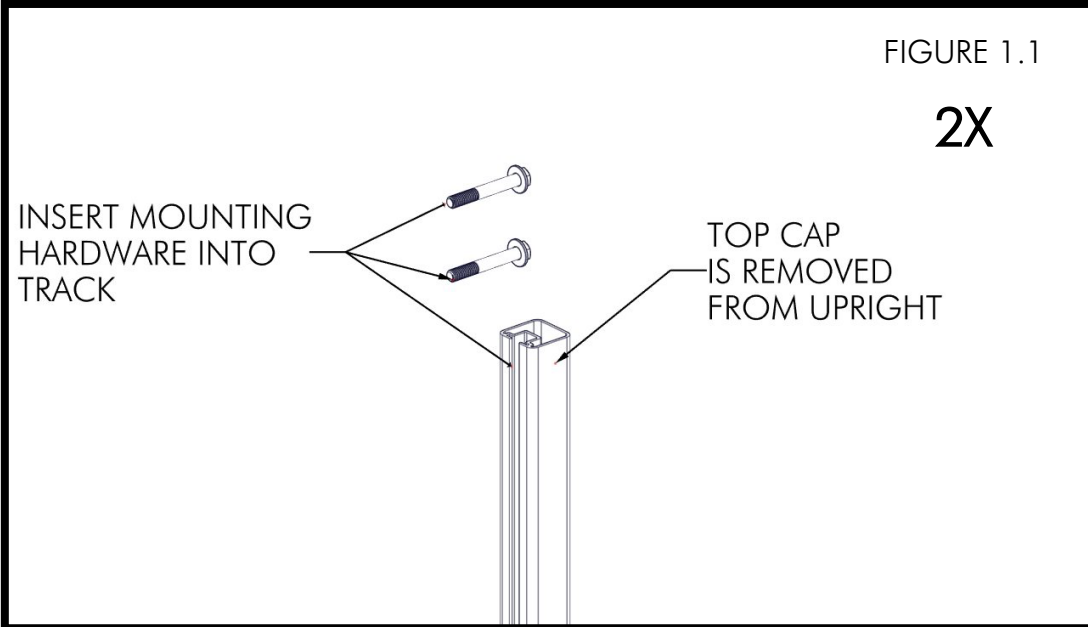
BILL OF MATERIALS

P/N 510-41561-00		ASS'Y, WATER ACCESSORY RACK BRACKET	
NUMBER	PART NUMBER	DESCRIPTION	QTY
1	001-70103-00	HHCS, 3/8-16 X 3/4" 18-8 SS	2
2	001-71017-00	FLAT WASHER, 3/8" SAE SS 18-8	2
3	001-76349-00	NUT, 3/8-16 ALUM.	2
4	018-01000-00	TAPE, 1" (WRAPPED TO TUBE)	2
5	110-00122-00	ASS'Y, WATER ACCESSORY RACK BRACKET	2



ASSEMBLY

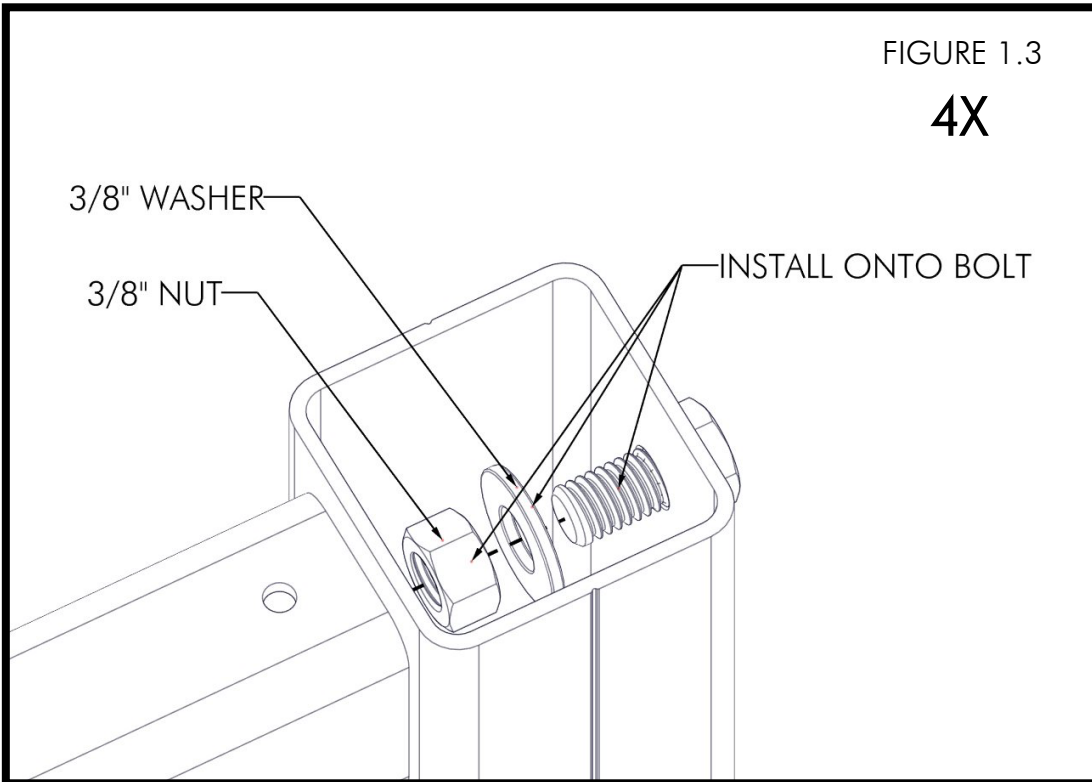
FIRST, WITH THE TOP CAP FROM THE ACCESSORY RACK UPRIGHT REMOVED, INSERT THE MOUNTING HARDWARE INCLUDED WITH THE ACCESSORY MOUNTING KIT (STANDARD ROLL-IN IS SHOWN, REFER TO THE INSTRUCTIONS INCLUDED WITH THE KIT SPECIFIC TO THE DOCK) (FIGURE 1.1). PLACE A 3/8" X 3/4" BOLT INTO EACH OF THE ACCESSORY RACK BRACKETS (FIGURE 1.2).



PLACE A 3/8" WASHER AND 3/8" NUT ONTO EACH BOLT (FIGURE 1.3). SLIDE TWO BRACKETS ONTO EACH UPRIGHT BY ALIGNING THE NUT AND WASHER INTO THE TRACK ON THE UPRIGHT (FIGURE 1.4).

FIGURE 1.3

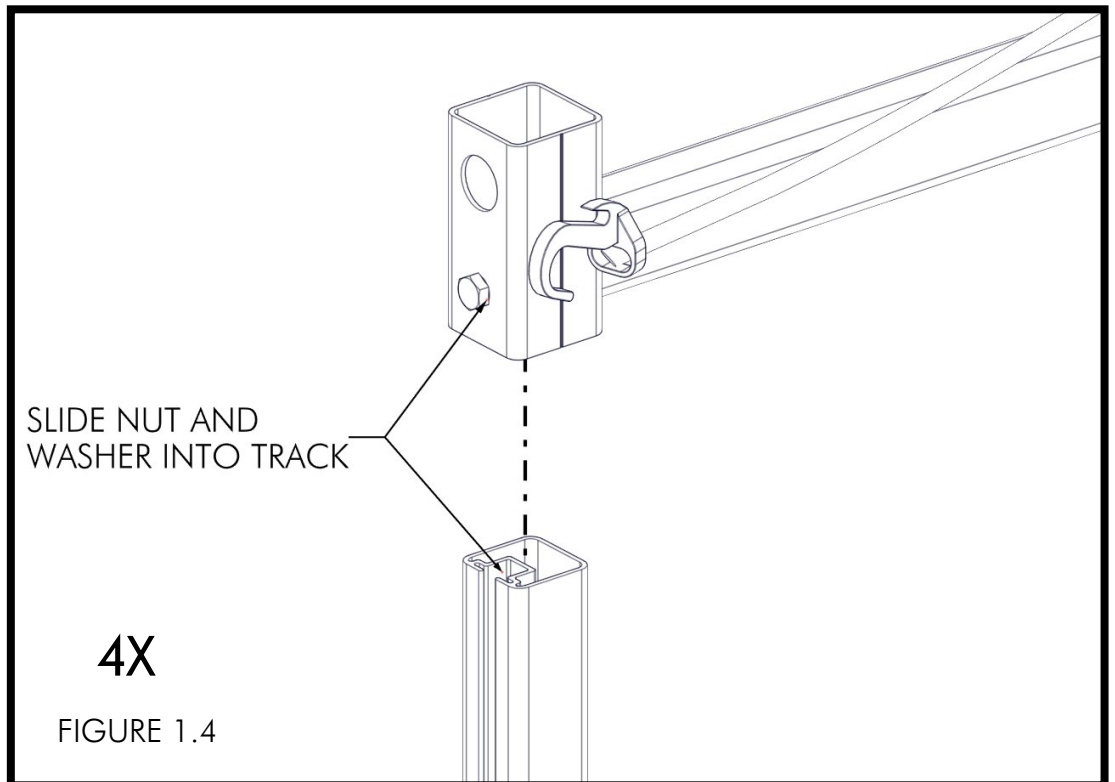
4X



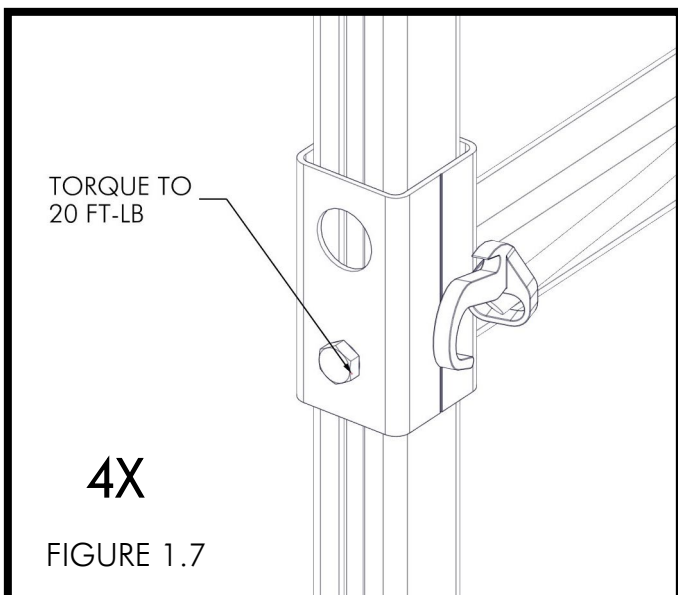
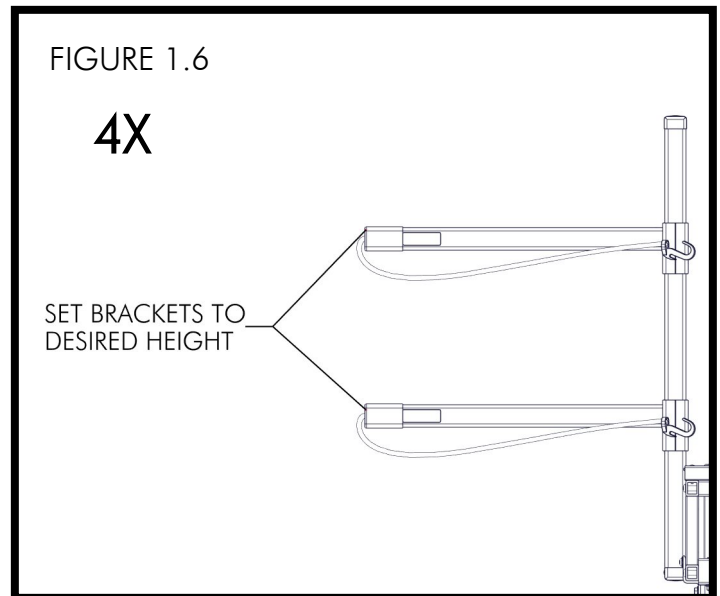
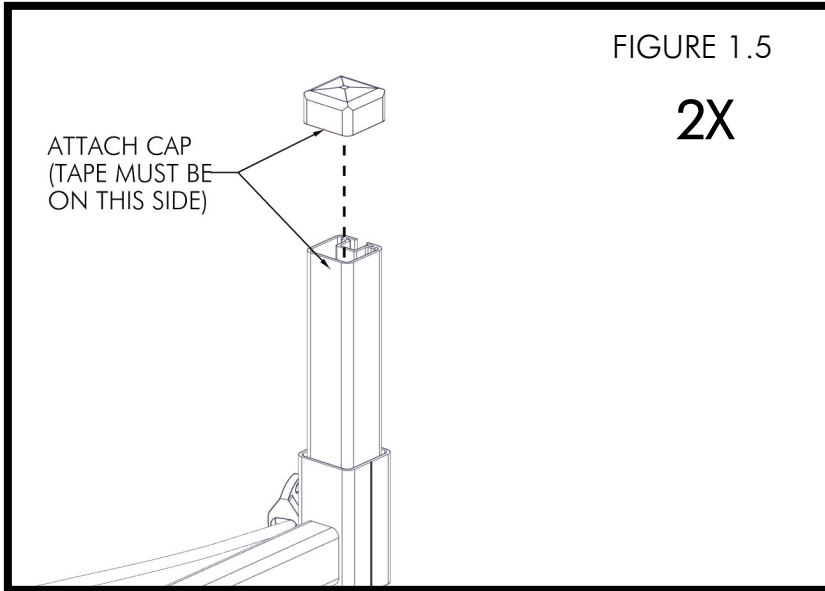
SLIDE NUT AND WASHER INTO TRACK

4X

FIGURE 1.4



PEEL THE BACKING OFF THE TAPE ON THE INSIDE OF THE CAP AND ATTACH TO THE UPRIGHT. NOTE: TAPE MUST BE ON THE OPPOSITE SIDE OF THE TRACK (FIGURE 1.5). INSTALL THE ACCESSORY RACKS ONTO THE DOCK (REFER TO INSTRUCTIONS INCLUDED WITH THE ATTACHMENT KIT). SET BRACKETS TO THE DESIRED HEIGHT (FIGURE 1.6). TORQUE BOLTS TO 20 FT-LB (FIGURE 1.7).



NOTE: FOR RACK EXPANSIONS, REMOVE THE TOP CAP AND FOLLOW STEPS 1.3 – 1.7. ADDITIONAL PIECES OF TAPE ARE WRAPPED TO THE RACK BRACKET TUBE, WHICH ARE INCLUDED FOR CAP RE-ATTACHMENT. DO NOT DISCARD.

