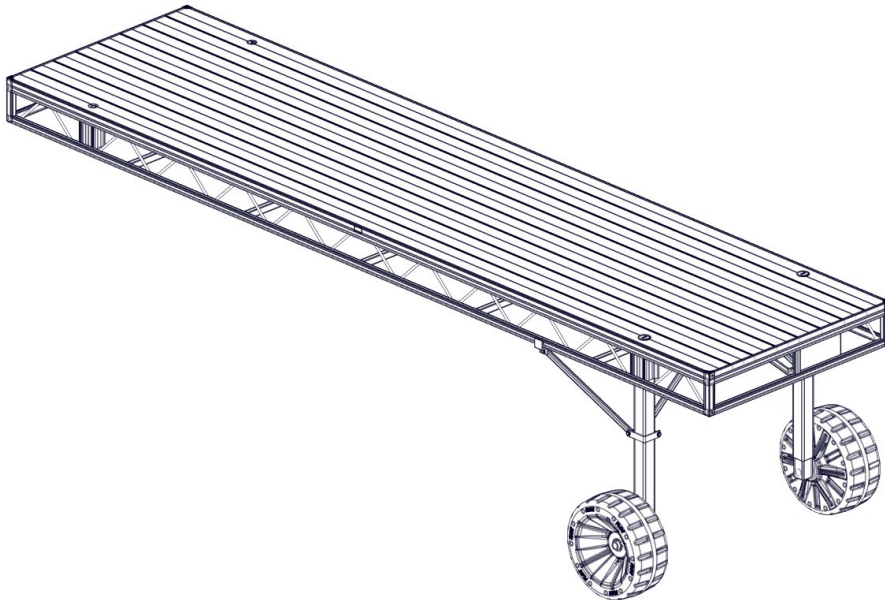


FLOE QUICK ATTACH ROLL IN DEEP WHEEL KIT

ASSEMBLY INSTRUCTIONS AND OWNERS MANUAL

4', 5', 6' & 8' WIDE DOCK SECTIONS

KIT P/N 510-27400-00, 510-27410-00



*DOCK NOT INCLUDED

NOTE:

FOR USE IN APPROXIMATELY
33"-61" OF WATER

WE RECOMMEND THAT THE LOWER DOCK FRAME IS A MINIMUM OF 8" ABOVE THE WATER WHEN PROPERLY ADJUSTED. HOWEVER, IF YOU HAVE HIGH WAVE CONDITIONS THAT COMMONLY EXCEED 15", WE RECOMMEND THAT YOU RAISE YOUR DOCK ACCORDINGLY.

TOOLS REQUIRED

- (2) 9/16" SOCKETS/WRENCHES
- 3/4" SOCKET/WRENCH
- CORDLESS DRILL WITH SOCKET ADAPTER & 1-1/8" SOCKET OR FLOE SPEED WRENCH
- TORQUE WRENCH
- TAPE MEASURE
- LEVEL
- BLOCKING MATERIAL



WARNING

NEVER ADJUST YOUR DOCK LEGS WITH AN IMPACT WRENCH. NEVER ADJUST YOUR DOCK LEGS WITH MORE THAN 15 FT-LBS OF FORCE. APPLYING TOO MUCH FORCE TO YOUR DOCK LEGS WILL DAMAGE THE MECHANISM.

**DOCK OWNERS MANUAL IS LOCATED ONLINE AT
FLOEINTL.COM/MANUALS-AND-INFORMATION**

LEG ADJUSTMENT

NOTE:

FOR USE IN APPROXIMATELY 33-61" OF WATER.

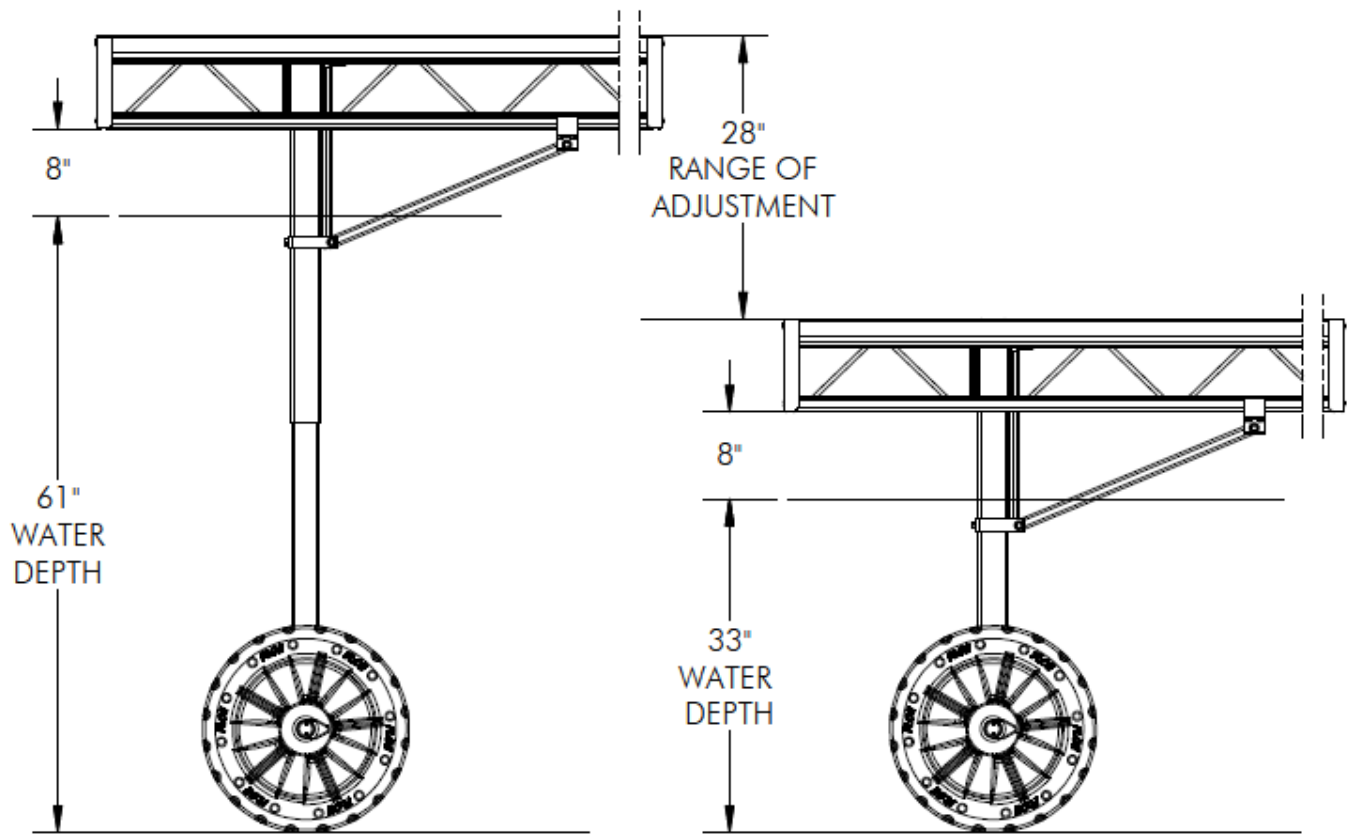
WE RECOMMEND THAT THE LOWER DOCK FRAME IS A MINIMUM OF 8" ABOVE THE WATER WHEN PROPERLY ADJUSTED. HOWEVER, IF YOU HAVE HIGH WAVE CONDITIONS THAT COMMONLY EXCEED 15", WE RECOMMEND THAT YOU RAISE YOUR DOCK ACCORDINGLY.



WARNING



NEVER ADJUST YOUR DOCK LEGS WITH AN IMPACT WRENCH. NEVER ADJUST YOUR DOCK LEGS WITH MORE THAN 15 FT-LBS OF FORCE. APPLYING TOO MUCH FORCE TO YOUR DOCK LEGS WILL DAMAGE THE MECHANISM.



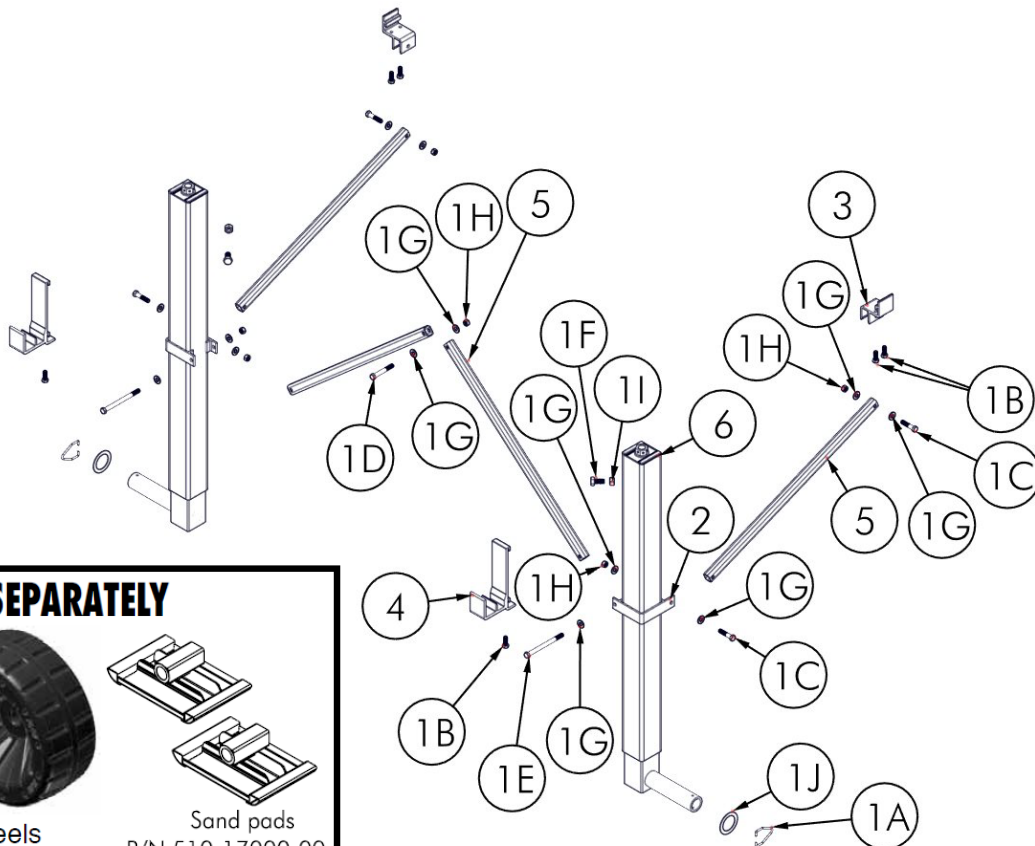
DEEP WHEEL KIT
FULLY EXTENDED

DEEP WHEEL KIT
FULLY COLLAPSED

BILL OF MATERIALS/EXPLODED VIEW

510-27400-00		WHEEL KIT, QA DEEP (PAIR) BZ	
NUMBER	PART NUMBER	QTY.	DESCRIPTION
1	001-02324-00	1	FASTENERS, QA ROLL-IN MED.-DEEP W/K PAIR
2	002-00064-00	2	BRACKET, W/K BRACE 1.125"
3	002-00285-00	2	BRACKET, QA DOCK SIDE BRACE
4	002-00291-00	2	QUICK CONNECT, QA ROLL-IN - 2"
5	002-02088-00	4	TUBE, .875" X 1.063" X 26"
6	110-00219-02	2	ASS'Y, LEG W/K (DEEP) BRONZE

001-02324-00		FASTENERS, QA ROLL-IN MED.-DEEP W/K PAIR	
NUMBER	PART NUMBER	QTY.	DESCRIPTION
1A	001-26728-00	2	CLIP, STAINLESS STEEL SPINDLE
1B	001-70105-00	6	HHCS, 3/8-16 X 1" SS
1C	001-70110-00	4	HHCS, 3/8-16 X 1-3/4" 18-8 SS
1D	001-70114-00	1	HHCS, 3/8-16 X 2-3/4" 18-8 SS
1E	001-70123-00	2	HHCS, 3/8-16 X 5" 18-8 SS
1F	001-70205-00	2	HHCS, 1/2-13 X 1" SS 18-8
1G	001-71017-00	14	FLAT WASHER, 3/8" SAE SS 18-8
1H	001-76349-00	7	NUT, 3/8-16 ALUM.
1I	001-76350-00	2	NUT, 1/2-13 ALUM.
1J	010-00020-00	2	WASHER, 2.5" O.D. X 1.75" I.D.



SOLD SEPARATELY

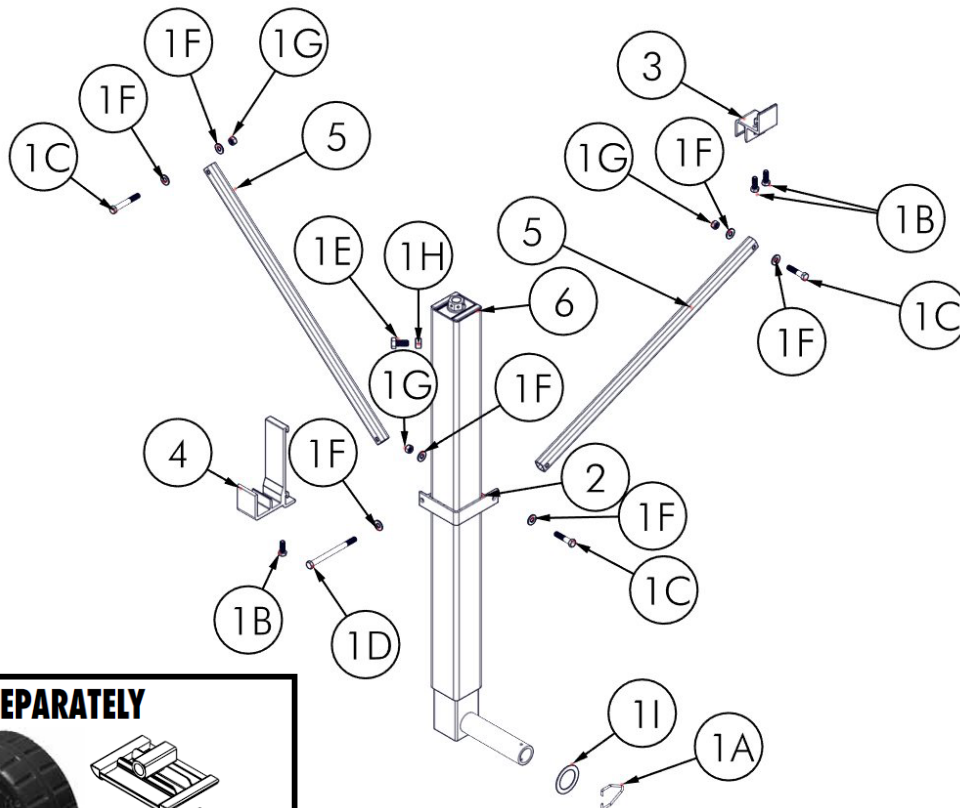
Plastic dock wheels
 Drilled 010-06001-00
 Floating 010-06002-00

Sand pads
 P/N 510-17000-00

BILL OF MATERIALS/EXPLODED VIEW

510-27410-00		WHEEL KIT, QA DEEP (SINGLE) BZ	
NUMBER	PART NUMBER	QTY.	DESCRIPTION
1	001-02323-00	1	FASTENERS, QA ROLL-IN MED.-DEEP W/K SINGLE
2	002-00064-00	1	BRACKET, W/K BRACE 1.125"
3	002-00285-00	1	BRACKET, QA DOCK SIDE BRACE
4	002-00291-00	1	QUICK CONNECT, QA ROLL-IN - 2"
5	002-02088-00	2	TUBE, .875" X 1.063" X 26"
6	110-00219-02	1	ASS'Y, LEG W/K (DEEP) BRONZE

001-02323-00		FASTENERS, QA ROLL-IN MED.-DEEP W/K SINGLE	
NUMBER	PART NUMBER	QTY.	DESCRIPTION
1A	001-26728-00	1	CLIP, STAINLESS STEEL SPINDLE
1B	001-70105-00	3	HHCS, 3/8-16 X 1" SS
1C	001-70110-00	3	HHCS, 3/8-16 X 1-3/4" 18-8 SS
1D	001-70123-00	1	HHCS, 3/8-16 X 5" 18-8 SS
1E	001-70205-00	1	HHCS, 1/2-13 X 1" SS 18-8
1F	001-71017-00	8	FLAT WASHER, 3/8" SAE SS 18-8
1G	001-76349-00	4	NUT, 3/8-16 ALUM.
1H	001-76350-00	1	NUT, 1/2-13 ALUM.
1I	010-00020-00	1	WASHER, 2.5" O.D. X 1.75" I.D.



SOLD SEPARATELY

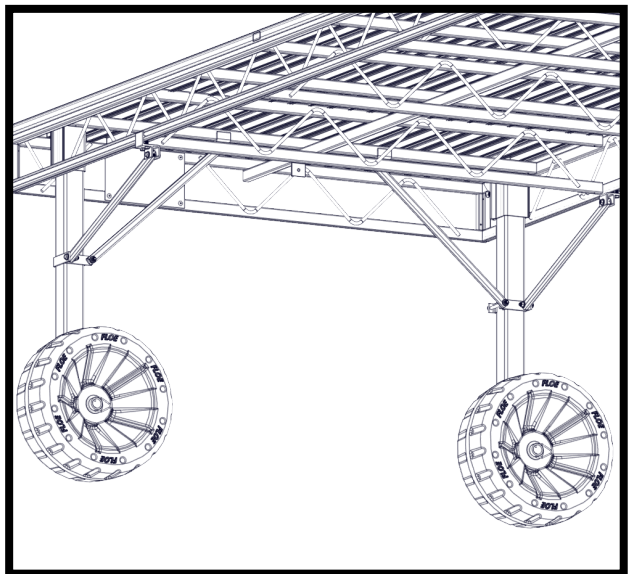
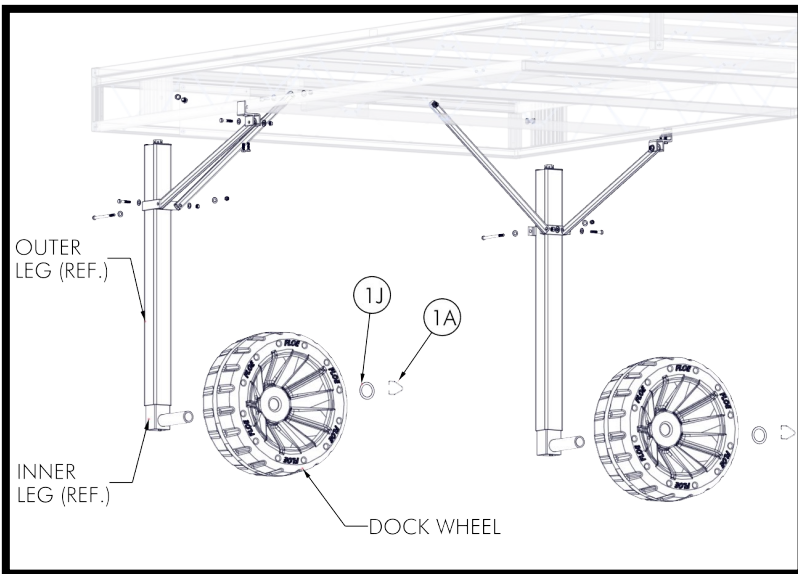
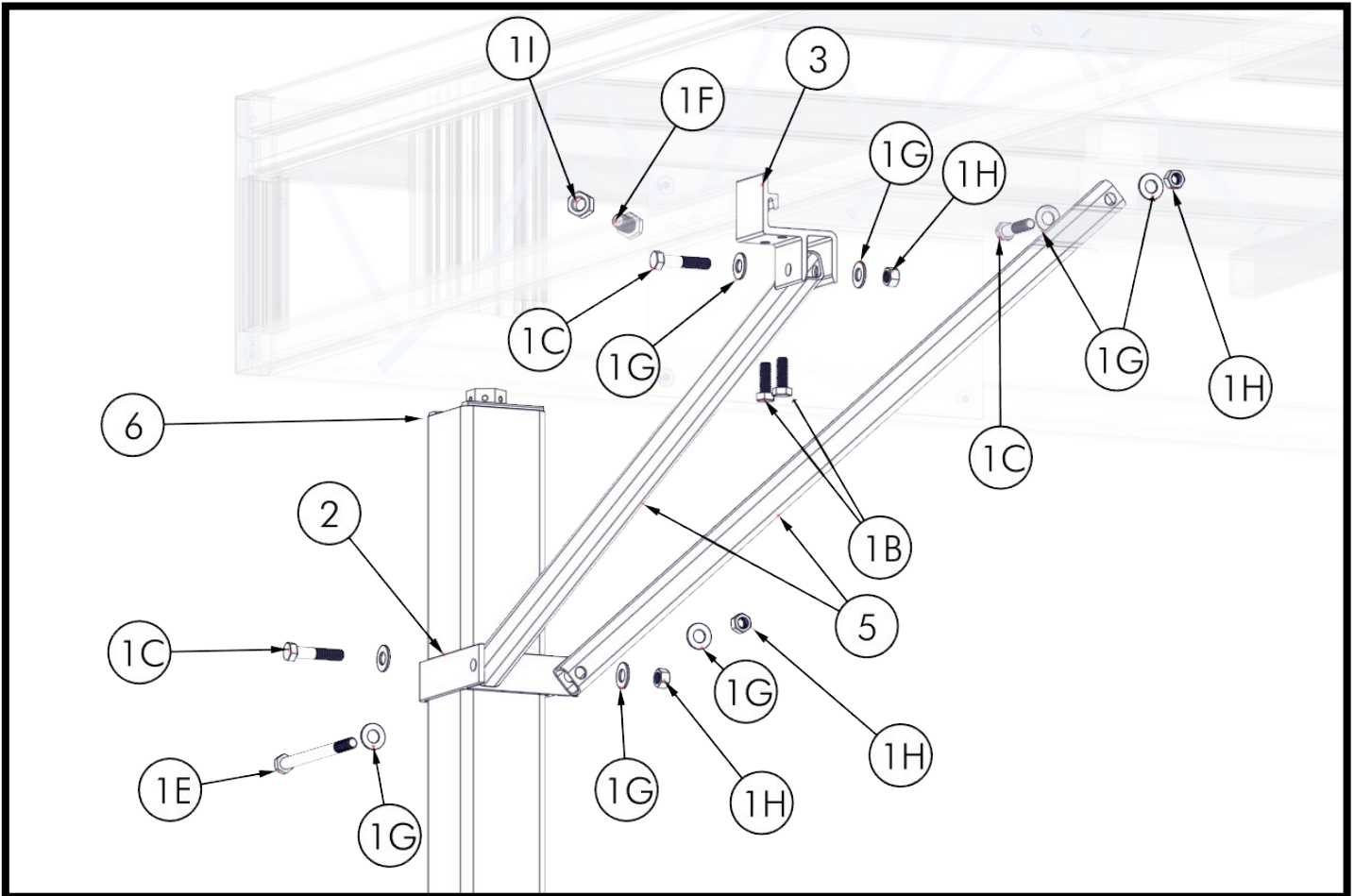
Plastic dock wheels
 Drilled 010-06001-00
 Floating 010-06002-00

Sand pads
 P/N 510-17000-00

SUNDECK INSTALLATION

6' WIDE SHOWN

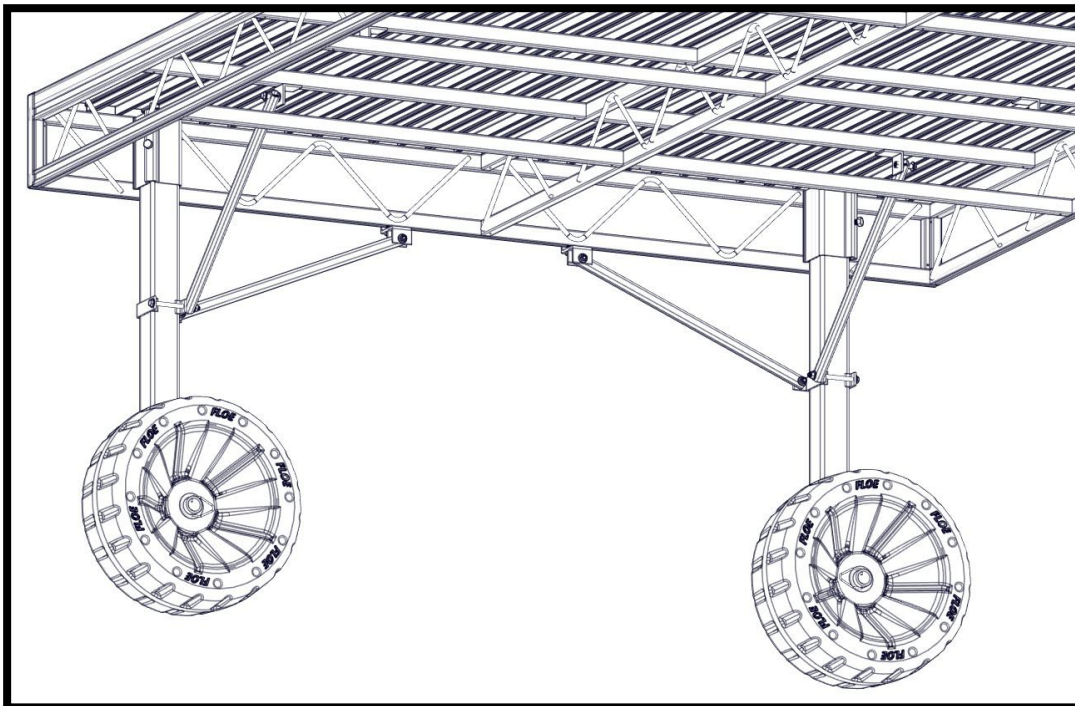
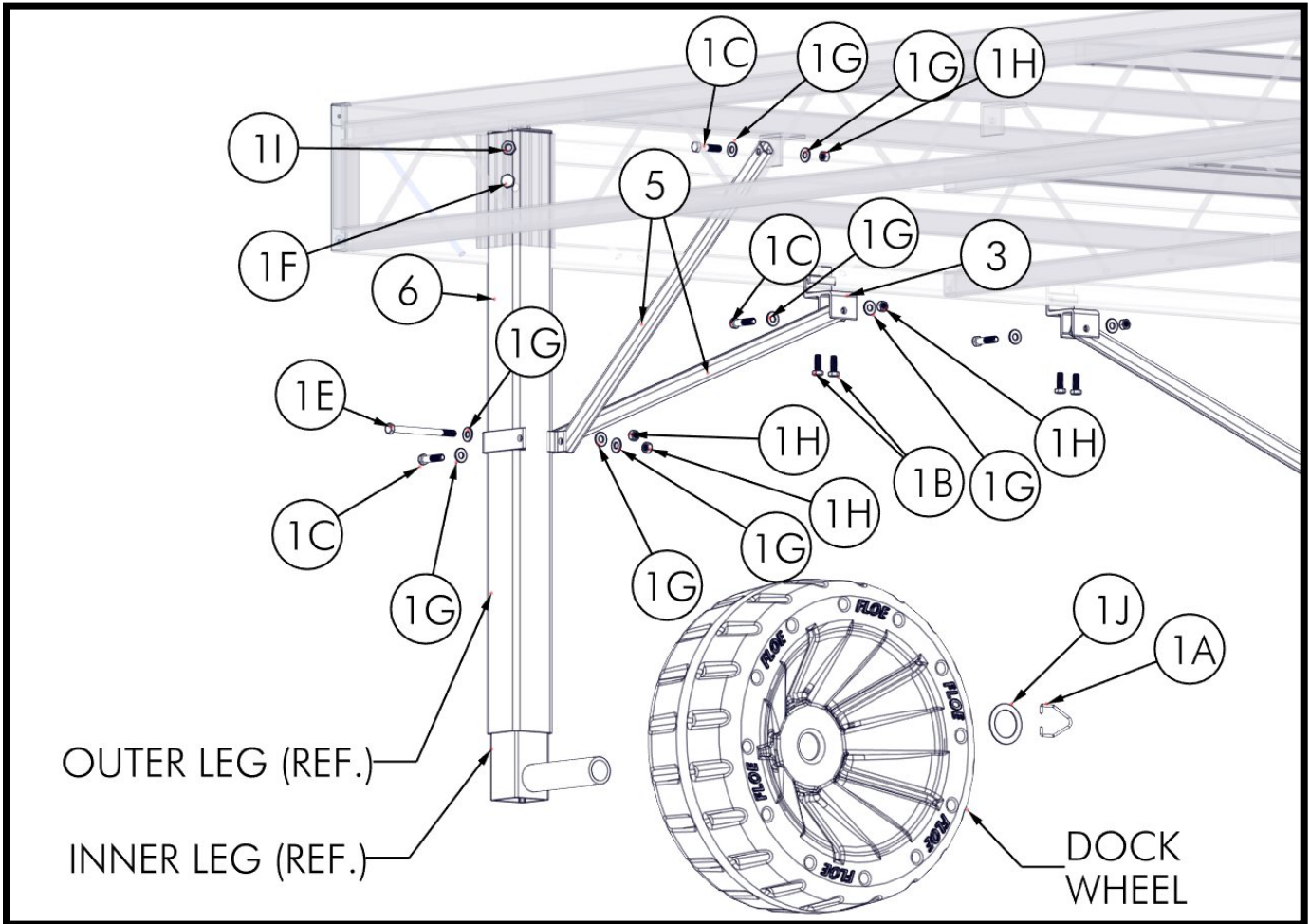
.....NOTE.....
Shown with wheels turned in



SUNDECK INSTALLATION

8' WIDE SHOWN

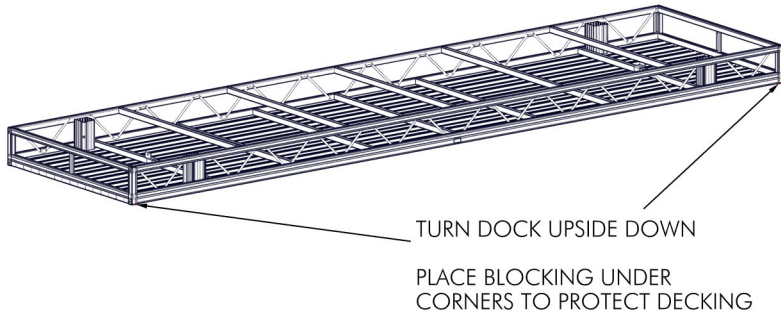
----- **NOTE** -----
Shown with wheels turned in



STEP 1

TURN DOCK UPSIDE DOWN AND BLOCK CORNERS (OR USE A SOFT SURFACE) TO PROTECT THE DECK SURFACE (FIGURE 1.1). INSTALL (1) 1/2" X 1" BOLT AND (1) 1/2" NUT INTO EACH POCKET WELDED ON THE DOCK (FIGURE 1.2). SLIDE THE WHEEL KIT BRACKETS ONTO THE WHEEL KIT LEGS (FIGURE 1.3).

FIGURE 1.1



NOTE:

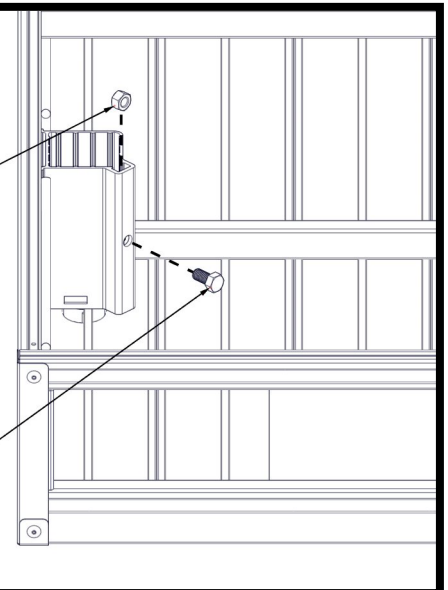
DIAGRAMS SHOW 4' WIDE DOCK SECTIONS. IF YOU ARE ATTACHING WHEEL KITS TO AN 8' WIDE SUNDECK, REFER TO THE EXPLODED VIEW ON SHEET 5.

FIGURE 1.2

2X

1/2" NUT

1/2" X 1" BOLT
DO NOT TIGHTEN



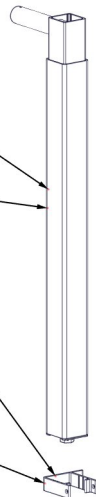
2X

WHEEL KIT LEG

SLIDE WHEEL KIT BRACKET ONTO WHEEL KIT LEG

WHEEL KIT BRACE BRACKET

FIGURE 1.3



INSERT WHEEL KIT LEGS INTO THE POCKETS THAT ARE WELDED ON THE DOCK (FIGURE 1.4). UNDER NORMAL CONDITIONS, THE WHEEL KITS ARE MOUNTED AS SHOWN IN FIGURE 1.5A. IF NECESSARY, WHEEL KITS MAY BE TURNED 180° FOR BOAT LIFT CLEARANCE. HOWEVER, SOME STABILITY MAY BE LOST (FIGURE 1.5B). REFER TO DOCK OWNER'S MANUAL FOR SPECIAL CONDITIONS ON SETTING UP YOUR DOCK. TORQUE THE 1/2" BOLT TO 20 FT-LB (FIGURE 1.6).

FIGURE 1.4

2X

SLIDE WHEEL KIT WITH BRACKET INTO POCKET ON DOCK

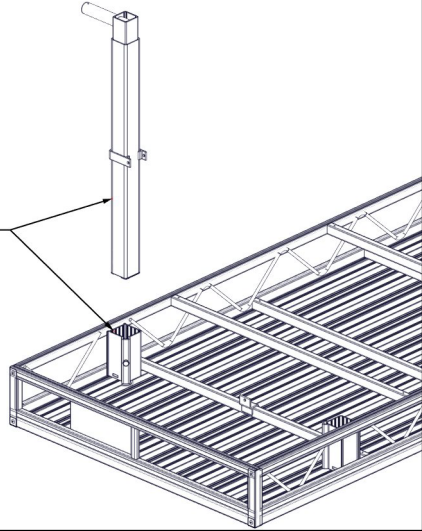


FIGURE 1.5A

STANDARD INSTALLATION

BOTH SPINDLES FACING OUTWARDS

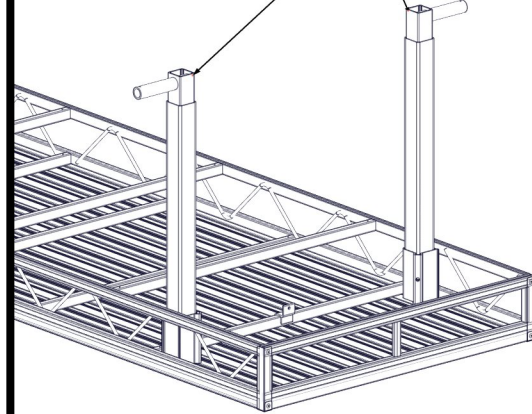


FIGURE 1.5B

WHEEL KIT LEG MAY BE TURNED 180° IF ROOM IS NEEDED BESIDE THE DOCK FOR A BOAT LIFT. HOWEVER, SOME STABILITY WILL BE LOST

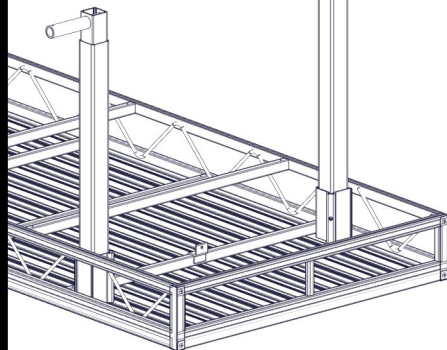
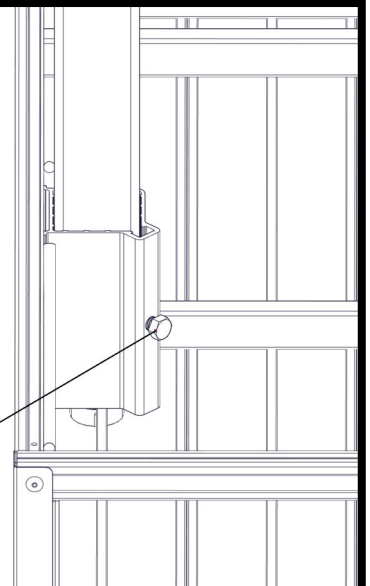


FIGURE 1.6

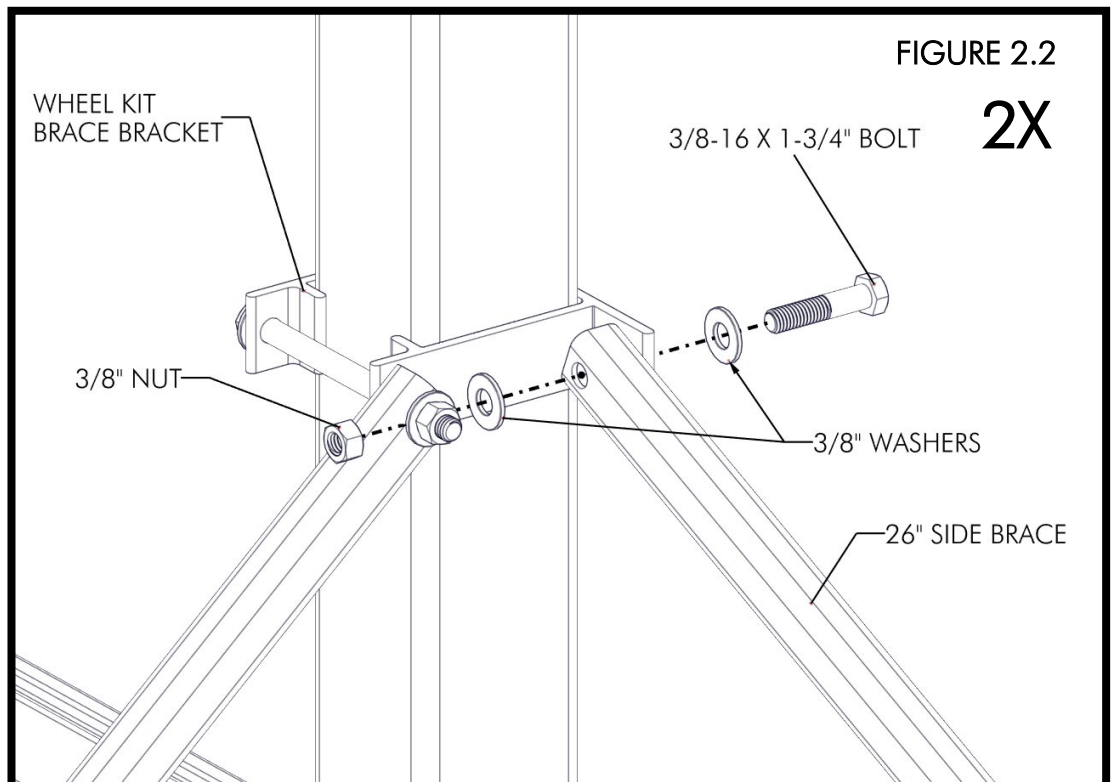
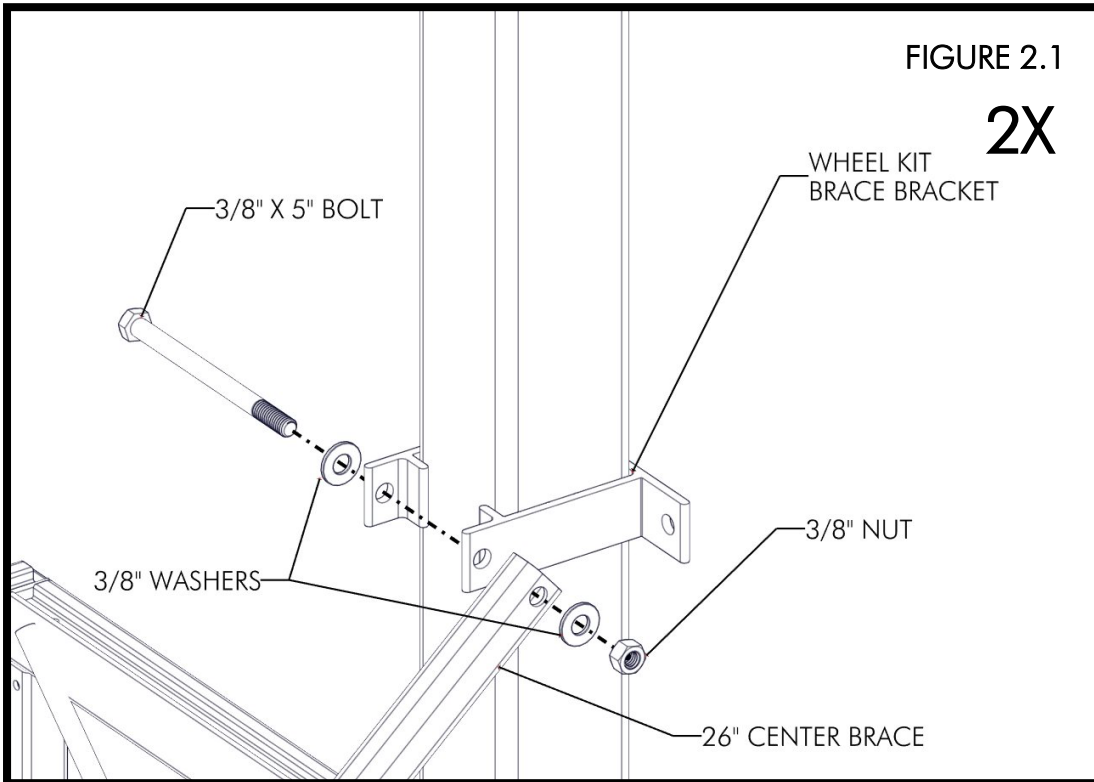
2X

TORQUE TO 20 FT-LB

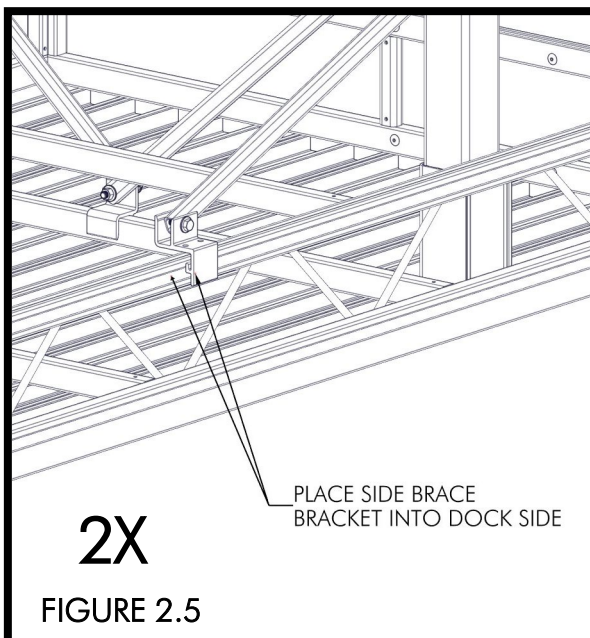
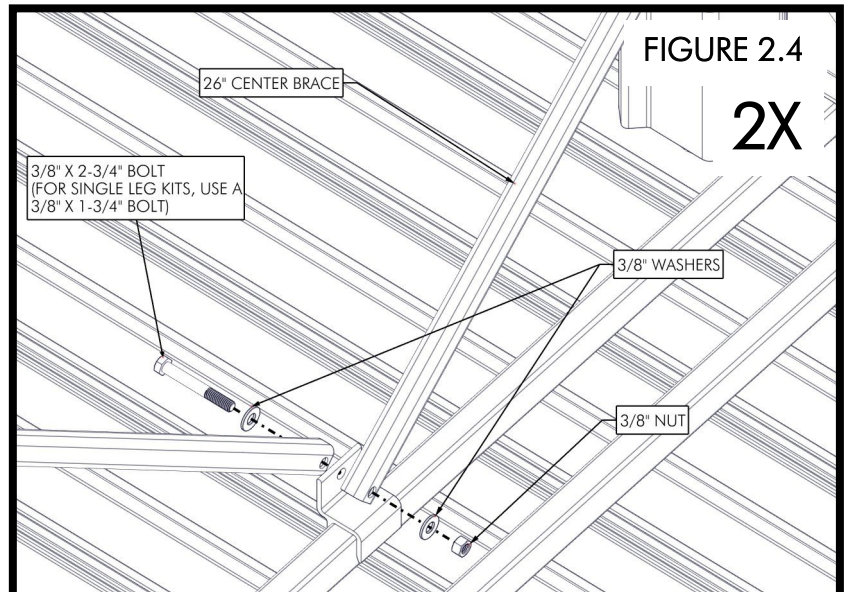
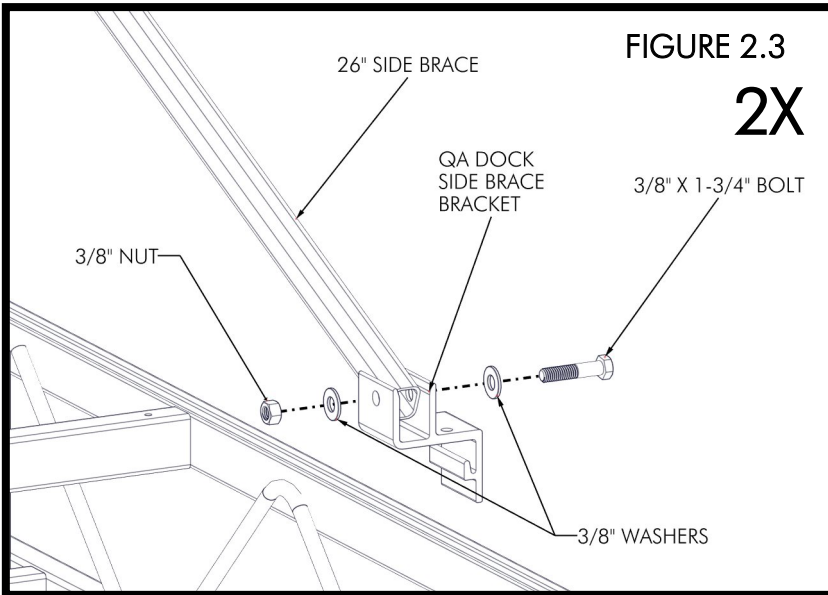


STEP 2

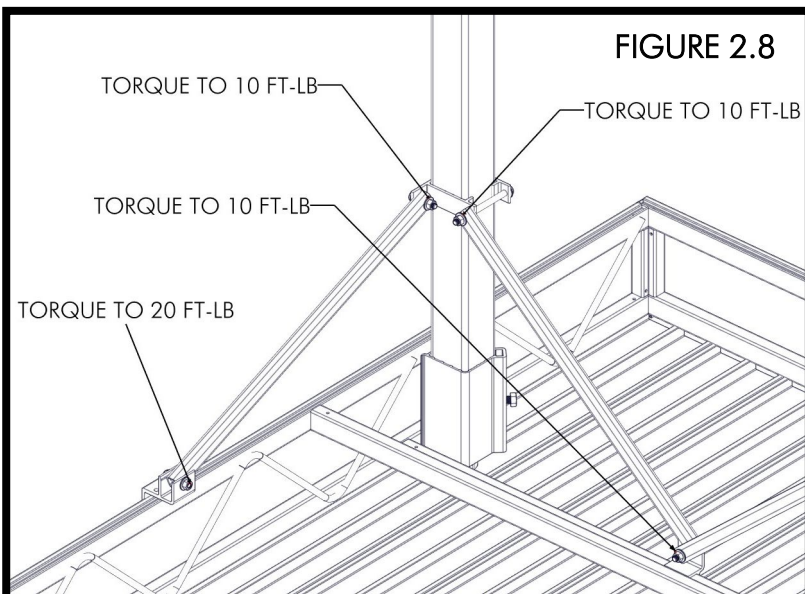
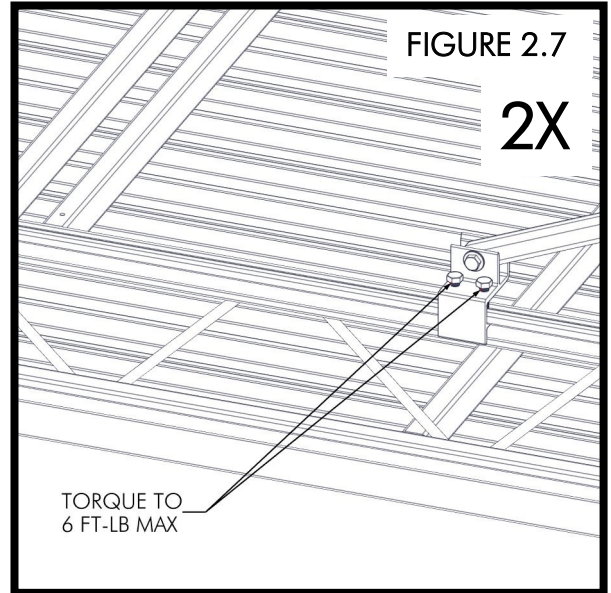
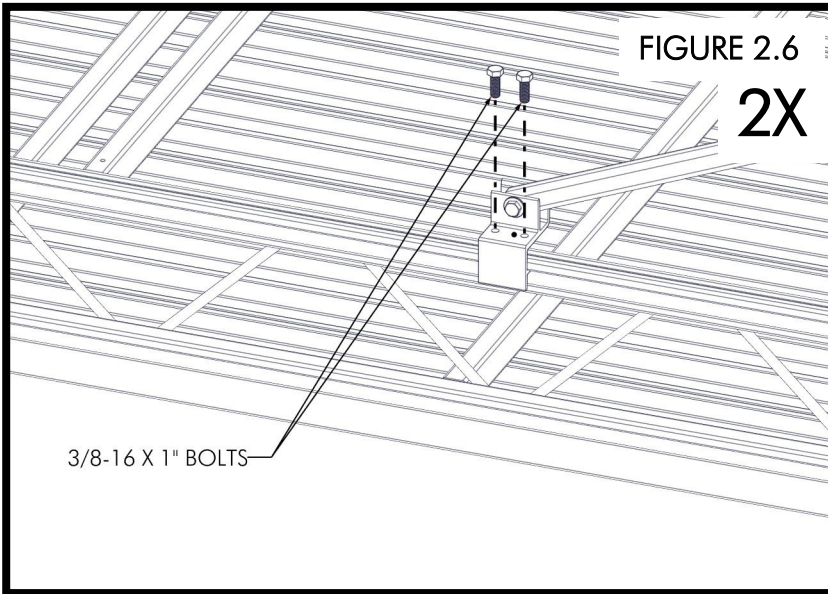
ATTACH THE 26" CENTER BRACES TO THE WHEEL KIT LEG BRACKET USING (1) 3/8" X 5" BOLT, (2) 3/8" WASHERS, AND (1) 3/8" NUT PER SIDE (FIGURE 2.1). ATTACH THE 26" SIDE BRACES TO THE WHEEL KIT BRACKET USING (1) 3/8" X 1-3/4" BOLT, (2) 3/8" WASHERS, AND (1) 3/8" NUT PER SIDE (FIGURE 2.2).



ATTACH THE 26" SIDE BRACES TO THE SIDE BRACE BRACKET USING (1) 3/8" X 1-3/4" BOLT, (2) 3/8" WASHERS, AND (1) 3/8" NUT PER SIDE (FIGURE 2.3). CONNECT THE END(S) OF THE (2) CENTER BRACE(S) TO THE BRACKET ON THE DOCK USING (1) 3/8" X 2-3/4" BOLT, (2) 3/8" WASHERS, AND (1) 3/8" NUT. FOR SINGLE LEG KIT INSTALLATIONS, USE (1) 3/8" X 1-3/4" BOLT INSTEAD (FIGURE 2.4). THE ENDS OF THE TWO SIDE BRACES ARE ATTACHED TO THE DOCK BY PLACING THE SIDE BRACE BRACKETS INTO THE DOCK SIDE (FIGURE 2.5).

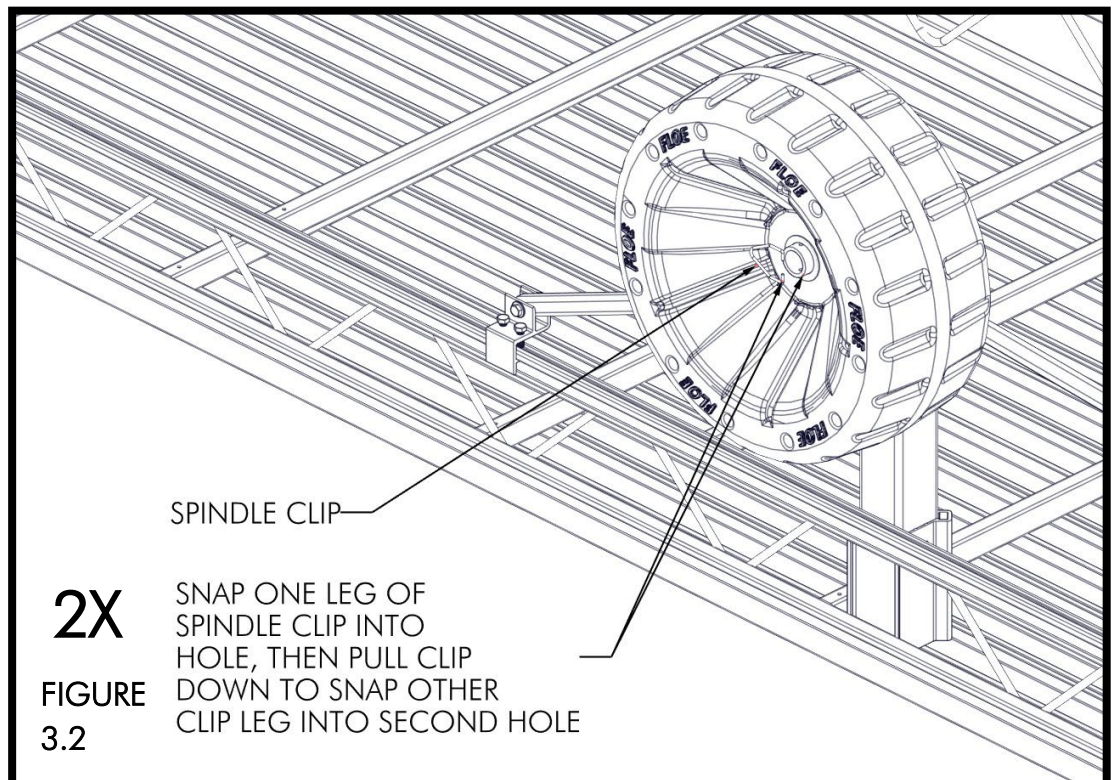
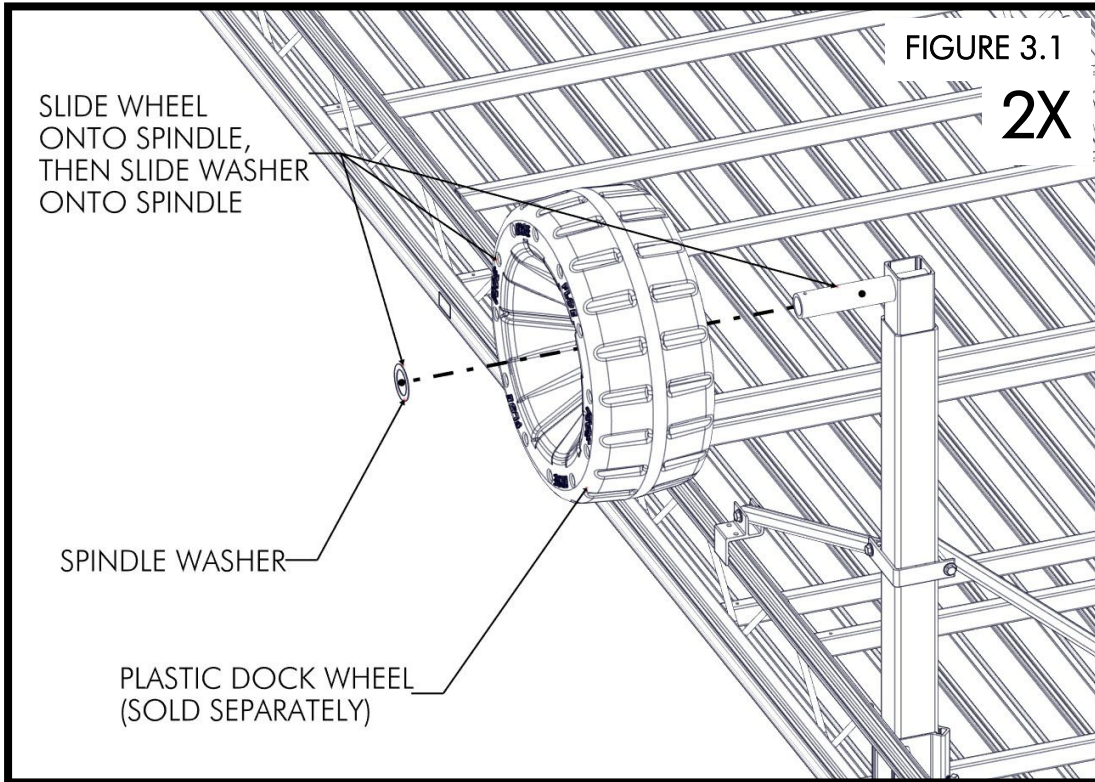


INSERT (2) 3/8" X 1" BOLTS INTO THE BOTTOM OF THE BRACKET (FIGURE 2.6). TORQUE TO 6 FT-LBS MAXIMUM (FIGURE 2.7). TORQUE ALL 3/8" NUTS INSTALLED IN THIS STEP TO THE SPECIFICATIONS SHOWN. OVERTIGHTENING THE FASTENERS WILL CRUSH THE BRACES (FIGURE 2.8).



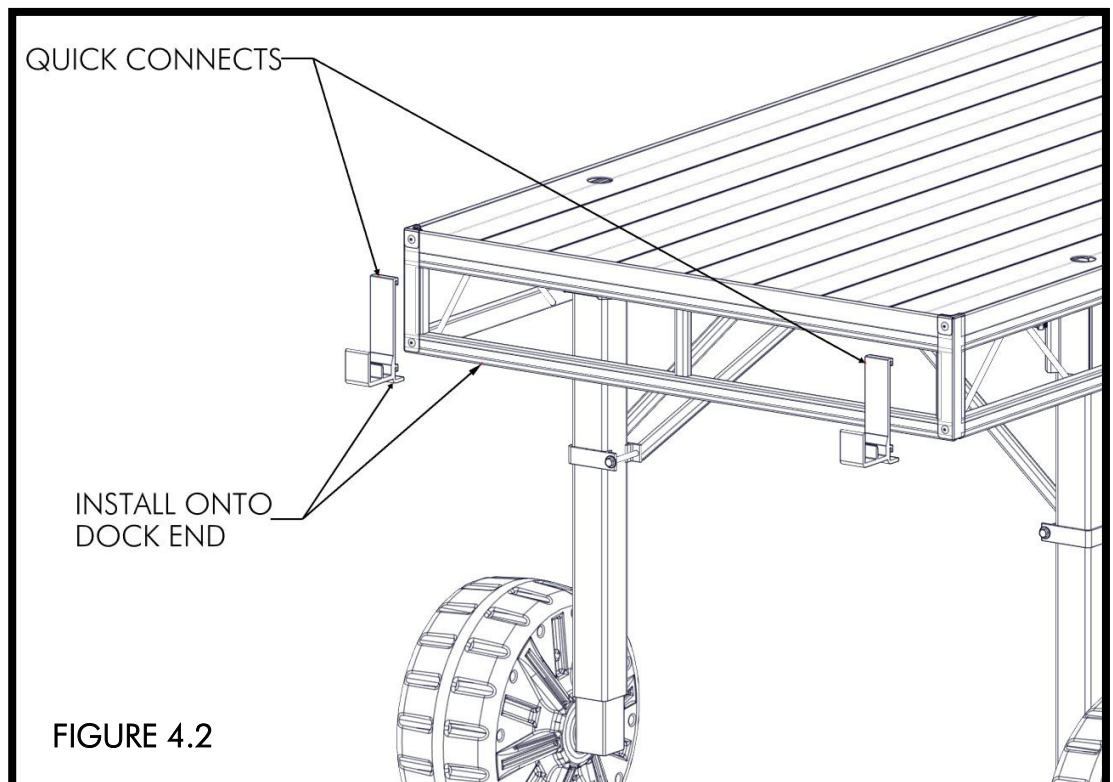
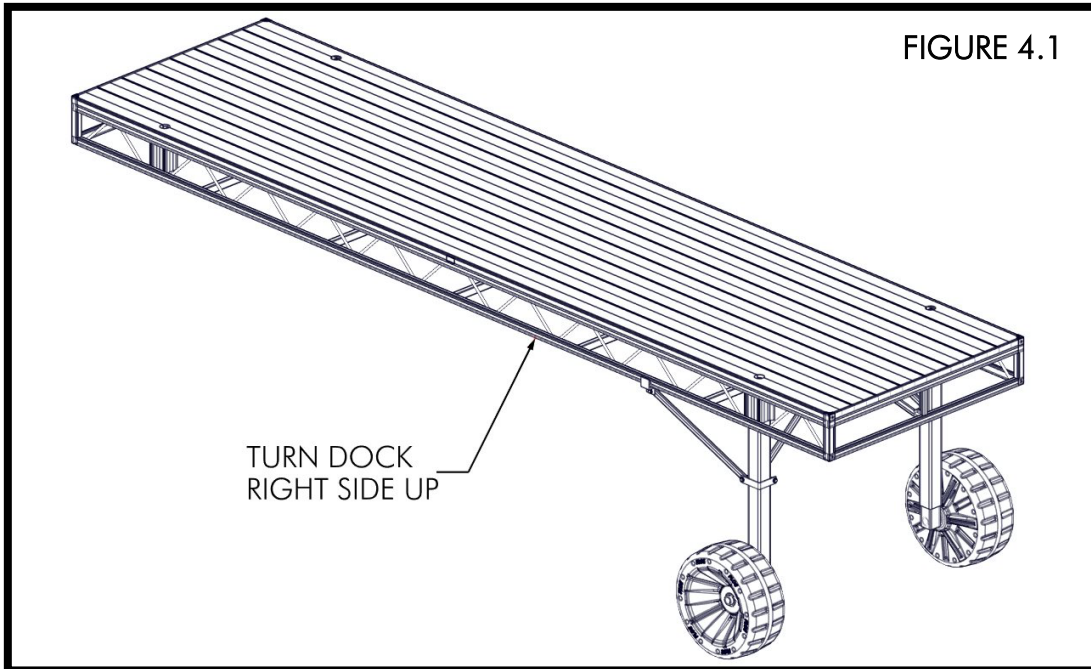
STEP 3

SLIDE WHEEL(S) (SOLD SEPARATELY) ONTO THE SPINDLE ON THE WHEEL KIT AND PLACE A 2-1/2" WASHER ONTO THE SPINDLE (FIGURE 3.1). INSERT SPINDLE CLIP LEG INTO ONE OF THE HOLES IN THE SPINDLE, THEN PULL CLIP DOWN TO SNAP OTHER CLIP LEG INTO THE SECOND HOLE (FIGURE 3.2).

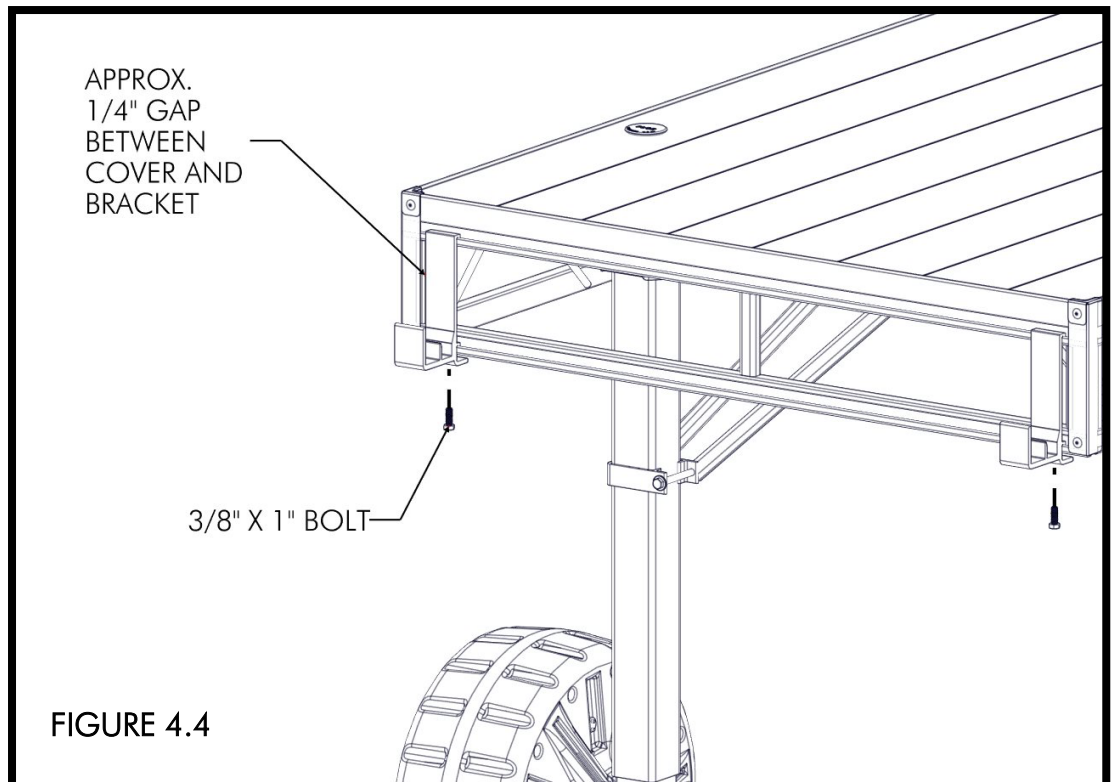
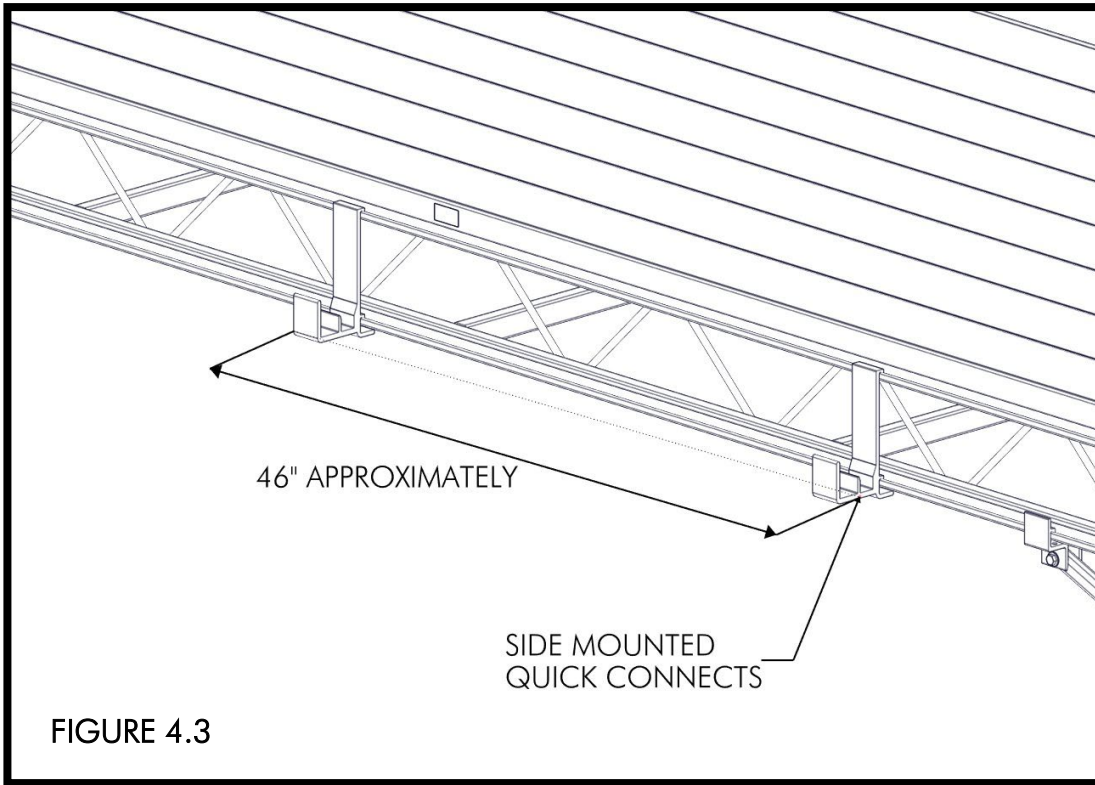


STEP 4

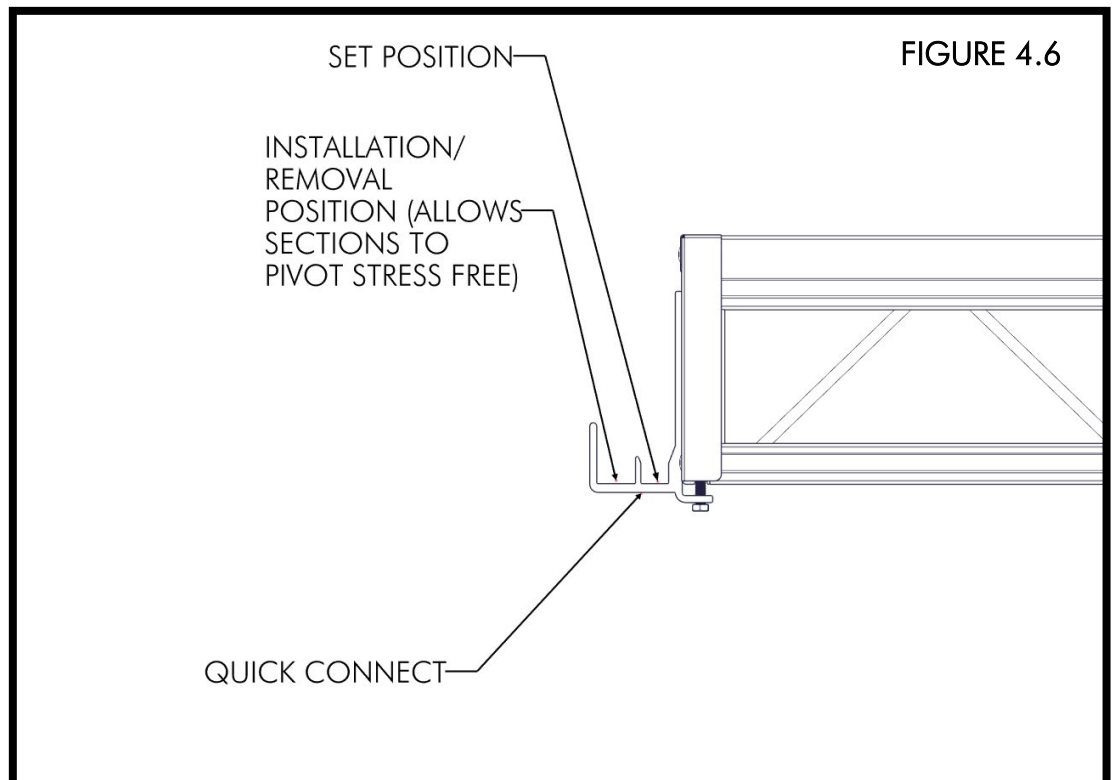
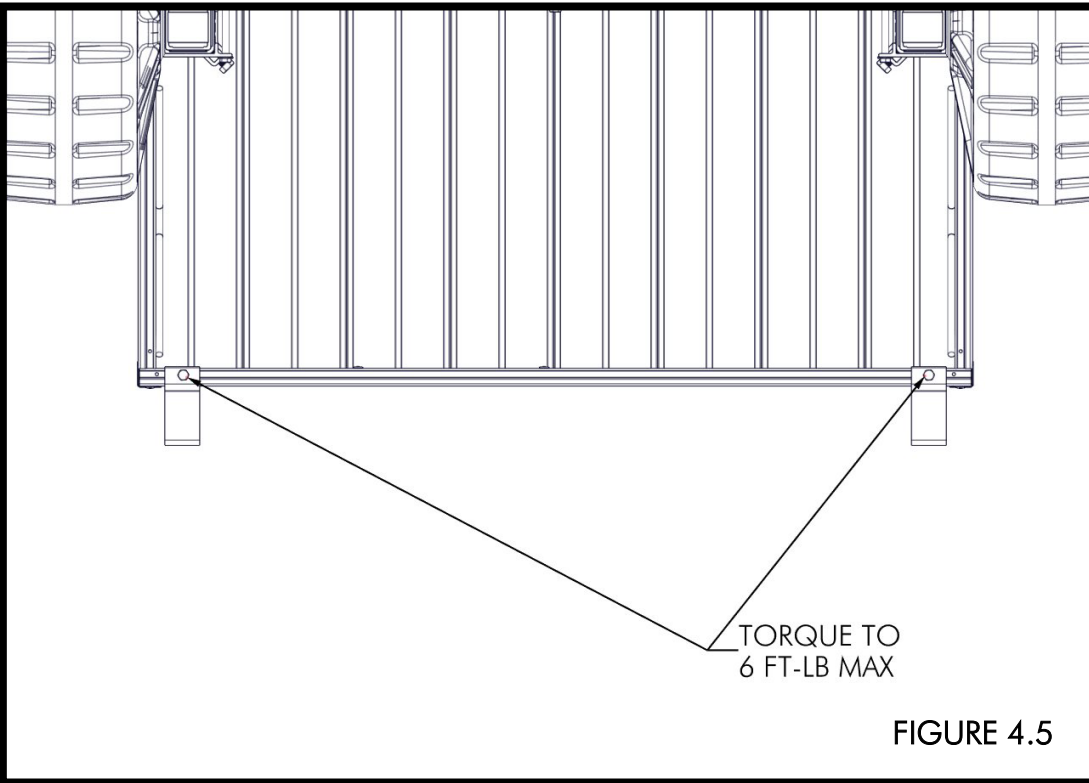
TURN DOCK RIGHT SIDE UP (FIGURE 4.1). ATTACH QUICK CONNECTS TO THE WHEEL KIT END OF THE DOCK SECTION IF ANOTHER SECTION IS TO BE CONNECT TO IT. TO ATTACH DOCK SECTIONS IN A STRAIGHT LINE, QUICK CONNECTS SHOULD BE ASSEMBLED AS SHOWN. SPACE THE QUICK CONNECTS AS FAR OUT AS POSSIBLE BY POSITIONING THE BRACKETS 1-5/8" FROM THE OUTSIDE OF THE DOCK TO THE OUTSIDE OF THE BRACKET (THERE WILL BE APPROXIMATELY A 1/4" GAP BETWEEN THE BRACKET AND THE INSIDE OF THE COVER) (FIGURE 4.2 & 4.4).



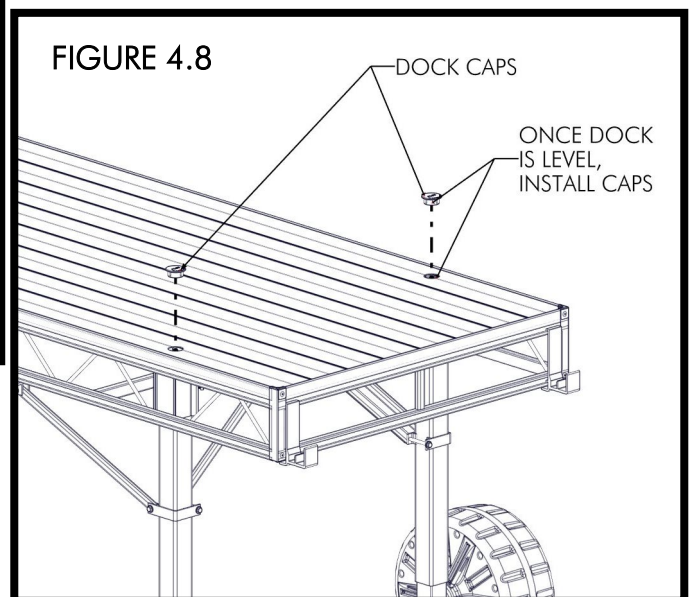
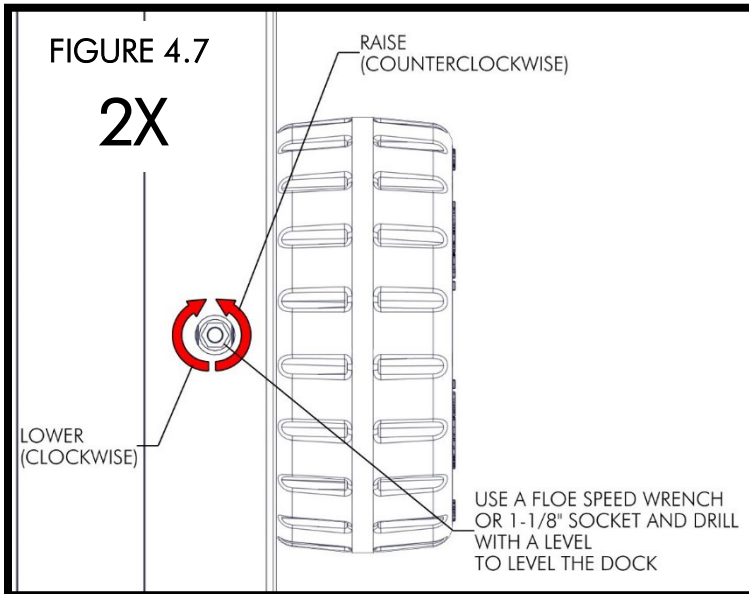
WHEN ANOTHER DOCK SECTION CONNECTS TO A SIDE OF THE DOCK, QUICK CONNECTS SHOULD BE PLACED AS SHOWN (FIGURE 4.3). ATTACH USING A 3/8" X 1" BOLT PER CONNECT. POSITION THE BRACKETS 1-5/8" FROM THE OUTSIDE OF THE DOCK TO THE OUTSIDE OF THE BRACKET (THERE WILL BE APPROXIMATELY A 1/4" GAP BETWEEN THE BRACKET AND THE INSIDE OF THE COVER) (FIGURE 4.4).



TORQUE BOLTS TO 6 FT-LBS (FIGURE 4.5). **QUICK CONNECTS SHOULD BE SPREAD APART AS FAR AS POSSIBLE TO KEEP THE JOINING SECTION FROM SHIFTING SIDWAYS.** PLACE CONNECTING DOCK SECTIONS IN THE QUICK CONNECT INSTALLATION/REMOVAL POSITION WHEN INSTALLING OR REMOVING MULTIPLE SECTIONS. PUSH THE DOCKS INTO POSITION IN THE WATER. ONCE THE DOCKS ARE IN POSITION, PUT THEM IN THE QUICK CONNECTS SET POSITION (FIGURE 4.6).



WITH THE CAPS REMOVED FROM THE DOCK, USE A FLOE SPEED WRENCH OR 1-1/8" SOCKET AND CORDLESS DRILL TO ADJUST THE HEIGHT OF THE DOCK SO THE BOTTOM FRAME OF THE DOCK IS APPROXIMATELY 8" ABOVE THE WATER. *SEE NOTE ON SHEET 1. TURN THE DOCK ADJUSTING NUT ON THE TOP OF THE DOCK CLOCKWISE TO LOWER THE DOCK AND COUNTERCLOCKWISE TO RAISE THE DOCK. USE A LEVEL TO MAKE SURE ALL DOCK SURFACES ARE LEVEL (FIGURE 4.7). ONCE THE DOCK IS SET IN PLACE AND LEVELED, RE-INSERT THE PLASTIC CAPS IN THE ADJUSTMENT NUT HOLE (FIGURE 4.8).



! WARNING !

CORDLESS DRILL MAY COME TO A SUDDEN STOP WHEN THE LEG IS FULLY EXTENDED OR RETRACTED.

BE SURE TO HAVE YOUR CORDLESS DRILL IN CLUTCH MODE WHEN ADJUSTING THE LEGS. USE OF A CORDED DRILL MAY CAUSE ELECTROCUTION. FAILURE TO USE DRILL IN CLUTCH MODE MAY CAUSE INJURY TO YOUR HAND OR ARM.

! WARNING !

NEVER ADJUST YOUR DOCK LEGS WITH AN IMPACT WRENCH. IF YOU CAN NOT TURN THE ADJUSTING NUT, DO NOT FORCE IT – YOU HAVE REACHED THE END OF THE ADJUSTMENT RANGE. DO NOT EXCEED 15 FT-LBS. APPLYING TOO MUCH FORCE TO YOUR DOCK LEGS WILL DAMAGE THE MECHANISM.