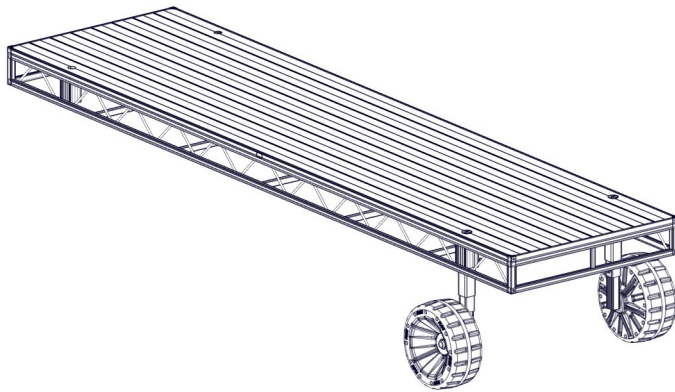


FLOE QUICK ATTACH ROLL IN SHALLOW WHEEL KIT

ASSEMBLY INSTRUCTIONS AND OWNERS MANUAL

4', 5', 6' & 8' WIDE DOCK SECTIONS

KIT P/N 510-27200-00, 510-27210-00



*DOCK NOT INCLUDED

NOTE:

FOR USE IN APPROXIMATELY
13"-30" OF WATER.

WE RECOMMEND THAT THE
LOWER DOCK FRAME IS A
MINIMUM OF 8" ABOVE THE
WATER WHEN PROPERLY
ADJUSTED. HOWEVER, IF YOU
HAVE HIGH WAVE
CONDITIONS THAT
COMMONLY EXCEED 15", WE
RECOMMEND THAT YOU RAISE
YOUR DOCK ACCORDINGLY.

TOOLS REQUIRED

- 9/16" SOCKET/WRENCH
- 3/4" SOCKET/WRENCH
- CORDLESS DRILL WITH SOCKET
ADAPTER & 1-1/8" SOCKET OR
FLOE SPEED WRENCH
- TORQUE WRENCH
- TAPE MEASURE
- LEVEL
- BLOCKING MATERIAL



WARNING



NEVER ADJUST YOUR DOCK LEGS WITH
AN IMPACT WRENCH. NEVER ADJUST
YOUR DOCK LEGS WITH MORE THAN 15
FT-LBS OF FORCE. APPLYING TOO MUCH
FORCE TO YOUR DOCK LEGS WILL
DAMAGE THE MECHANISM.

**DOCK OWNERS MANUAL IS LOCATED ONLINE AT
FLOEINTL.COM/MANUALS-AND-INFORMATION**

LEG ADJUSTMENT

NOTE:

FOR USE IN APPROXIMATELY 13"-30" OF WATER.

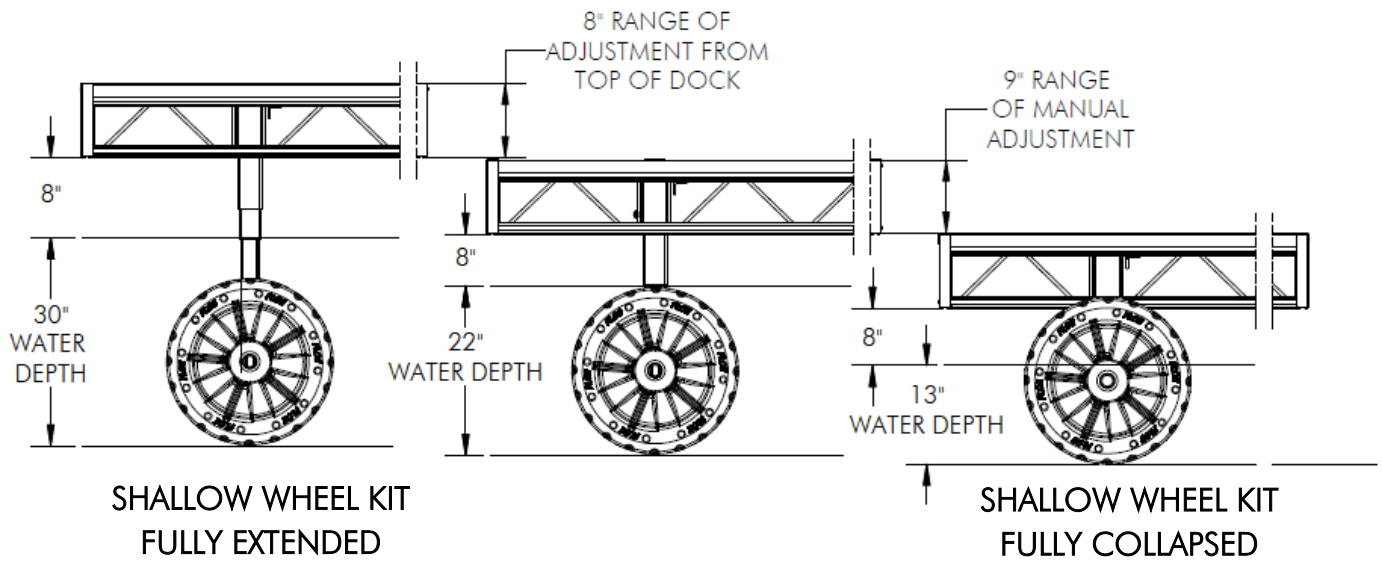
WE RECOMMEND THAT THE LOWER DOCK FRAME IS A MINIMUM OF 8" ABOVE THE WATER WHEN PROPERLY ADJUSTED. HOWEVER, IF YOU HAVE HIGH WAVE CONDITIONS THAT COMMONLY EXCEED 15", WE RECOMMEND THAT YOU RAISE YOUR DOCK ACCORDINGLY.



WARNING



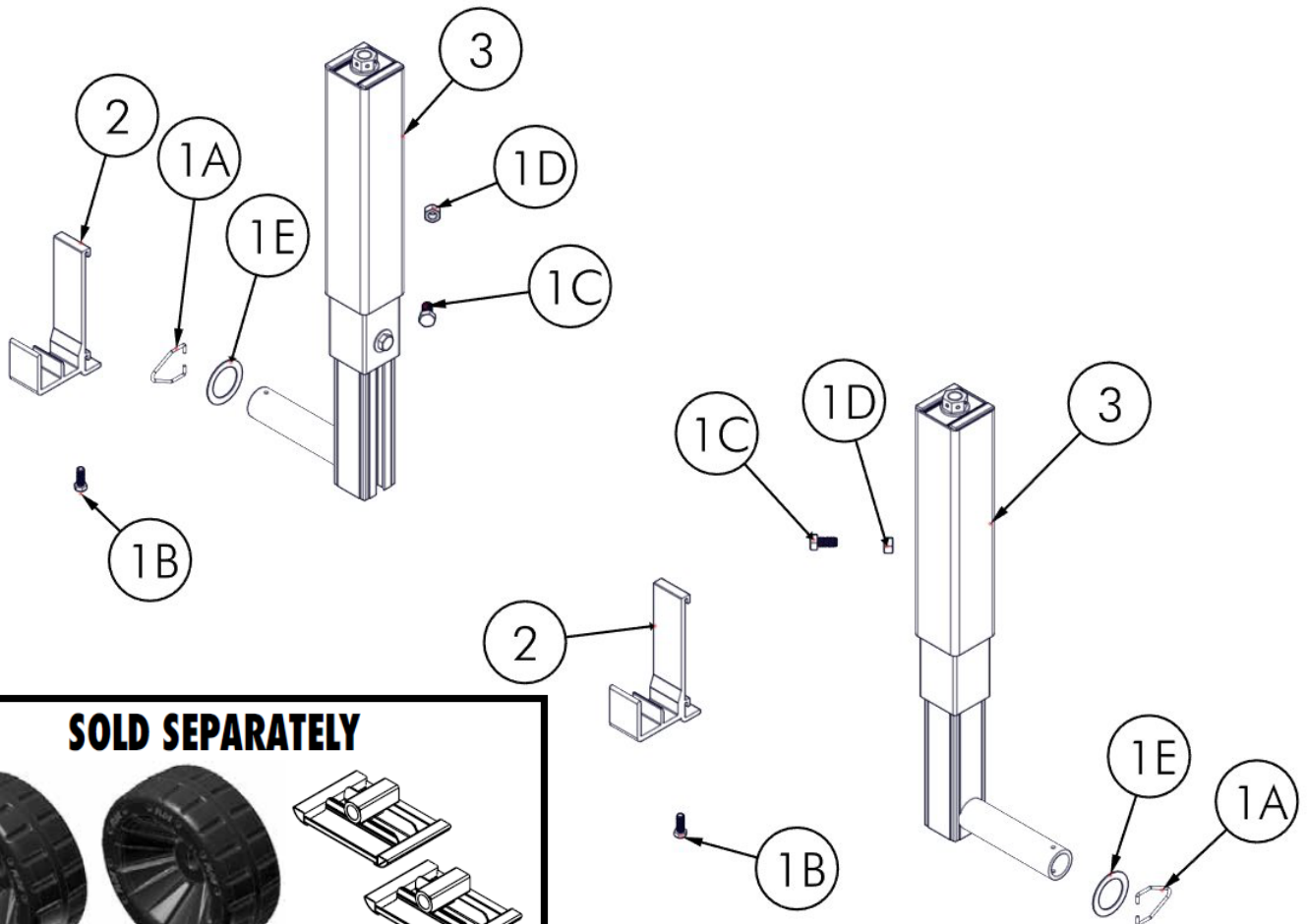
NEVER ADJUST YOUR DOCK LEGS WITH AN IMPACT WRENCH. NEVER ADJUST YOUR DOCK LEGS WITH MORE THAN 15 FT-LBS OF FORCE. APPLYING TOO MUCH FORCE TO YOUR DOCK LEGS WILL DAMAGE THE MECHANISM.



BILL OF MATERIALS/EXPLODED VIEW

510-27200-00		WHEEL KIT, QA SHALLOW (PAIR) BZ		
NUMBER	PART NUMBER	QTY.	DESCRIPTION	
1	001-02322-00	1	FASTENERS, QA ROLL-IN SHALLOW W/K PAIR	
2	002-00291-00	2	QUICK CONNECT, QA ROLL-IN - 2"	
3	110-00210-02	2	ASS'Y, W/K LEG (SHALLOW) BRONZE	

001-02322-00		FASTENERS, QA ROLL-IN SHALLOW W/K PAIR		
NUMBER	PART NUMBER	QTY.	DESCRIPTION	
1A	001-26728-00	2	CLIP, STAINLESS STEEL SPINDLE	
1B	001-70105-00	2	HHCS, 3/8-16 X 1" SS	
1C	001-70205-00	2	HHCS, 1/2-13 X 1" SS 18-8	
1D	001-76350-00	2	NUT, 1/2-13 ALUM.	
1E	010-00020-00	2	WASHER, 2.5" O.D. X 1.75" I.D.	



SOLD SEPARATELY

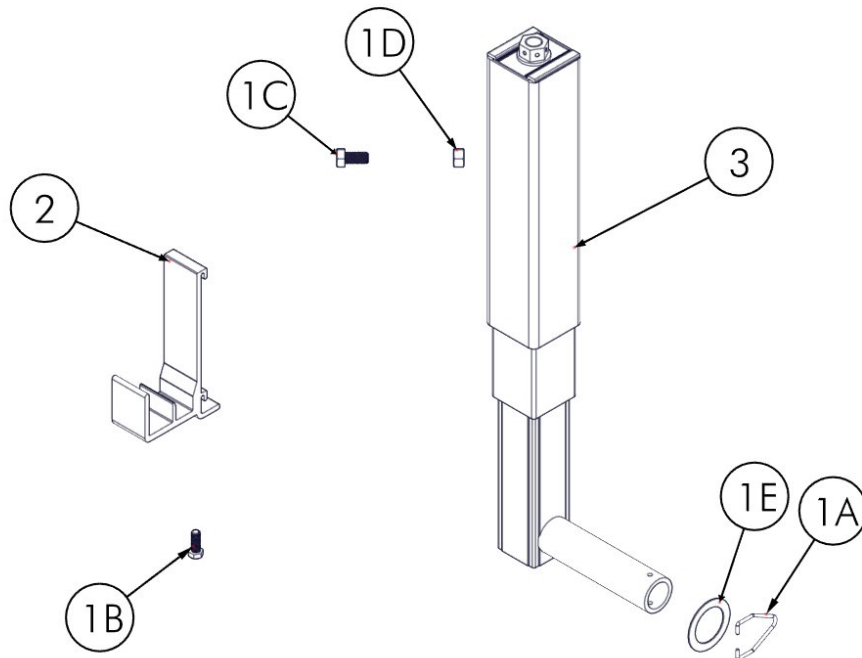
Plastic dock wheels
 Drilled 010-06001-00
 Floating 010-06002-00

Sand pads
 P/N 510-17000-00

BILL OF MATERIALS/EXPLODED VIEW

510-27210-00		WHEEL KIT, QA SHALLOW (SINGLE) BZ	
NUMBER	PART NUMBER	QTY.	DESCRIPTION
1	001-02321-00	1	FASTENERS, QA ROLL-IN SHALLOW W/K SINGLE
2	002-00291-00	1	QUICK CONNECT, QA ROLL-IN - 2"
3	110-00210-02	1	ASS'Y, W/K LEG (SHALLOW) BRONZE

001-02321-00		FASTENERS, QA ROLL-IN SHALLOW W/K SINGLE	
NUMBER	PART NUMBER	QTY.	DESCRIPTION
1A	001-26728-00	1	CLIP, STAINLESS STEEL SPINDLE
1B	001-70105-00	1	HHCS, 3/8-16 X 1" SS
1C	001-70205-00	1	HHCS, 1/2-13 X 1" SS 18-8
1D	001-76350-00	1	NUT, 1/2-13 ALUM.
1E	010-00020-00	1	WASHER, 2.5" O.D. X 1.75" I.D.



SOLD SEPARATELY

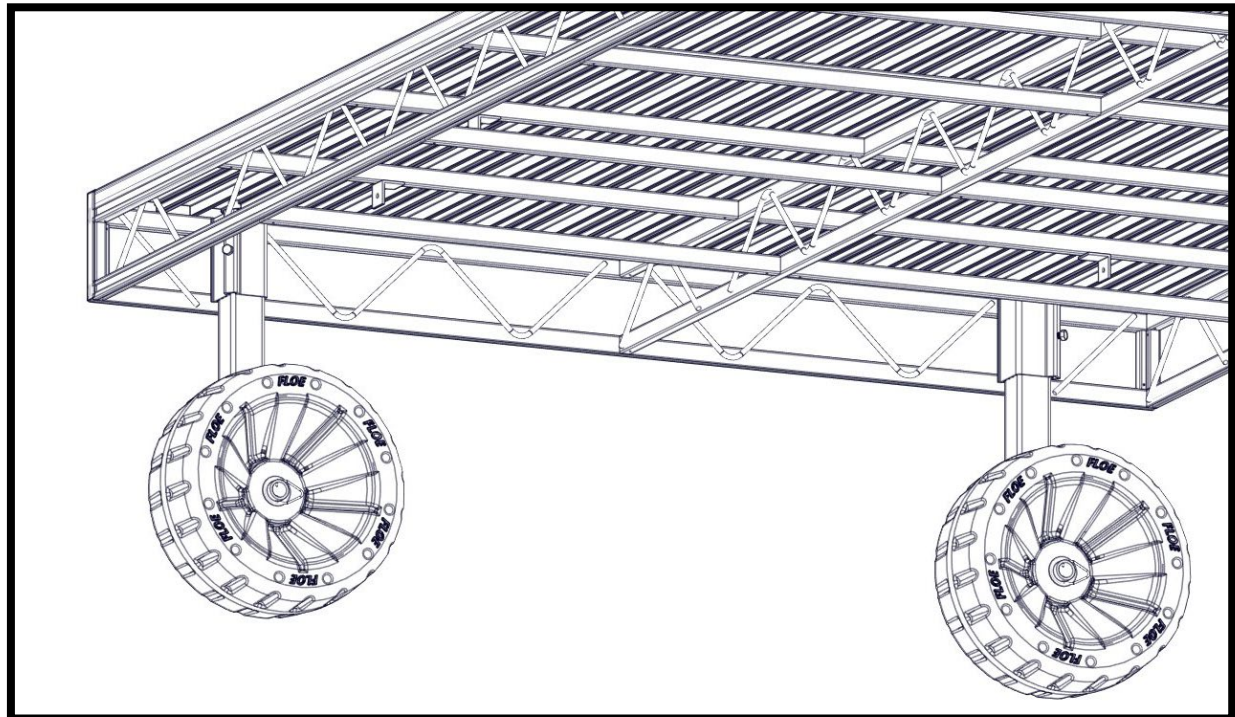
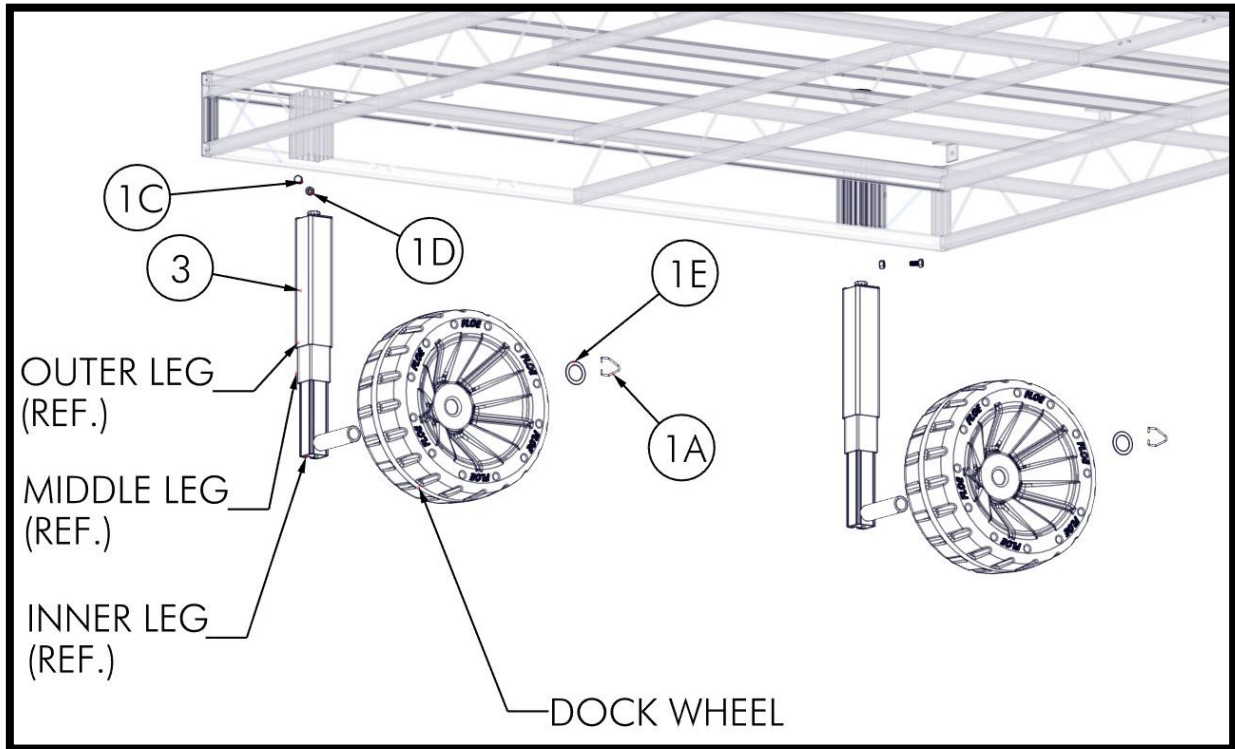
Plastic dock wheels
 Drilled 010-06001-00
 Floating 010-06002-00

Sand pads
 P/N 510-17000-00

SUNDECK INSTALLATION

8' WIDE SHOWN

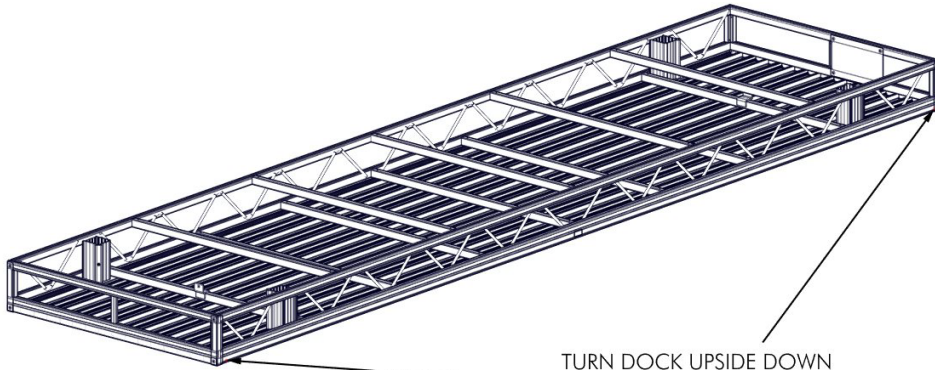
.....NOTE.....
Shown with wheels turned in



STEP 1

TURN DOCK UPSIDE DOWN AND BLOCK CORNERS (OR USE A SOFT SURFACE) TO PROTECT THE DECK SURFACE (FIGURE 1.1). INSTALL (1) 1/2" X 1" BOLT AND (1) 1/2" NUT INTO EACH POCKET WELDED ON THE DOCK (FIGURE 1.2).

FIGURE 1.1



TURN DOCK UPSIDE DOWN
PLACE BLOCKING UNDER
CORNERS TO PROTECT DECKING

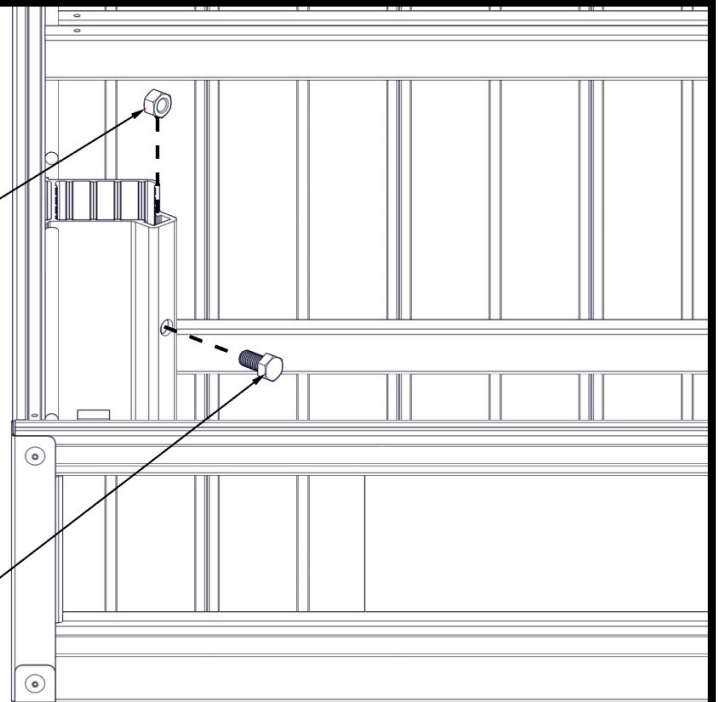
NOTE:
DIAGRAMS SHOW 4'
WIDE DOCK
SECTIONS. IF YOU
ARE ATTACHING
WHEEL KITS TO AN
8' WIDE SUNDECK,
REFER TO THE
EXPLODED VIEW ON
SHEET 5.

FIGURE 1.2

2X

1/2" NUT

1/2" X 1" BOLT
DO NOT TIGHTEN

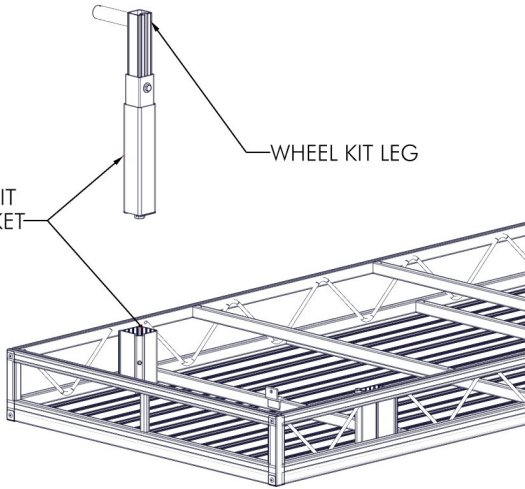


INSERT WHEEL KIT LEGS INTO THE POCKETS THAT ARE WELDED ON THE DOCK (FIGURE 1.3). UNDER NORMAL CONDITIONS, THE WHEEL KITS ARE MOUNTED AS SHOWN IN FIGURE 1.4A. IF NECESSARY, WHEEL KITS MAY BE TURNED 180° FOR BOAT LIFT CLEARANCE. HOWEVER, SOME STABILITY MAY BE LOST (FIGURE 1.4B). REFER TO DOCK OWNER'S MANUAL FOR SPECIAL CONDITIONS ON SETTING UP YOUR DOCK. TORQUE 1/2" BOLT TO 20 FT-LB (FIGURE 1.5).

FIGURE 1.3

2X

INSERT WHEEL KIT LEG INTO POCKET ON DOCK



STANDARD INSTALLATION

FIGURE 1.4A

BOTH SPINDLES FACING OUTWARDS

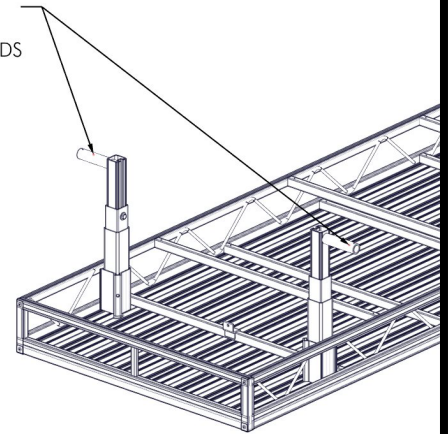


FIGURE 1.4B

WHEEL KIT LEG MAY BE TURNED 180° IF ROOM IS NEEDED BESIDE THE DOCK FOR A BOAT LIFT. HOWEVER, SOME STABILITY WILL BE LOST.

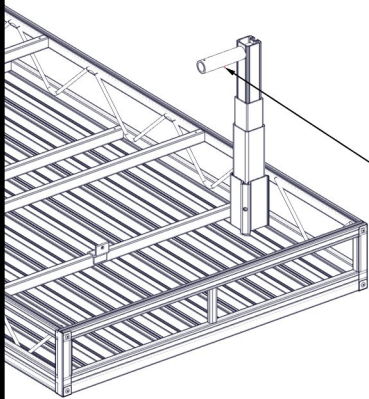
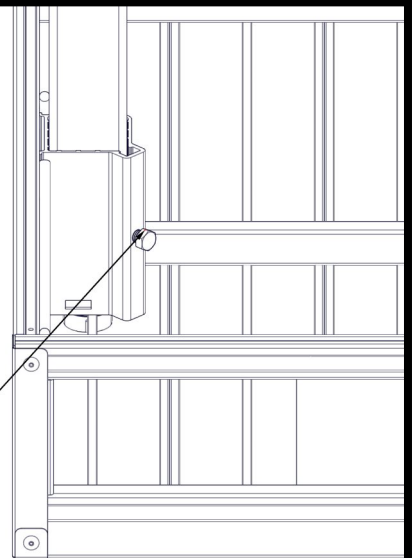


FIGURE 1.5

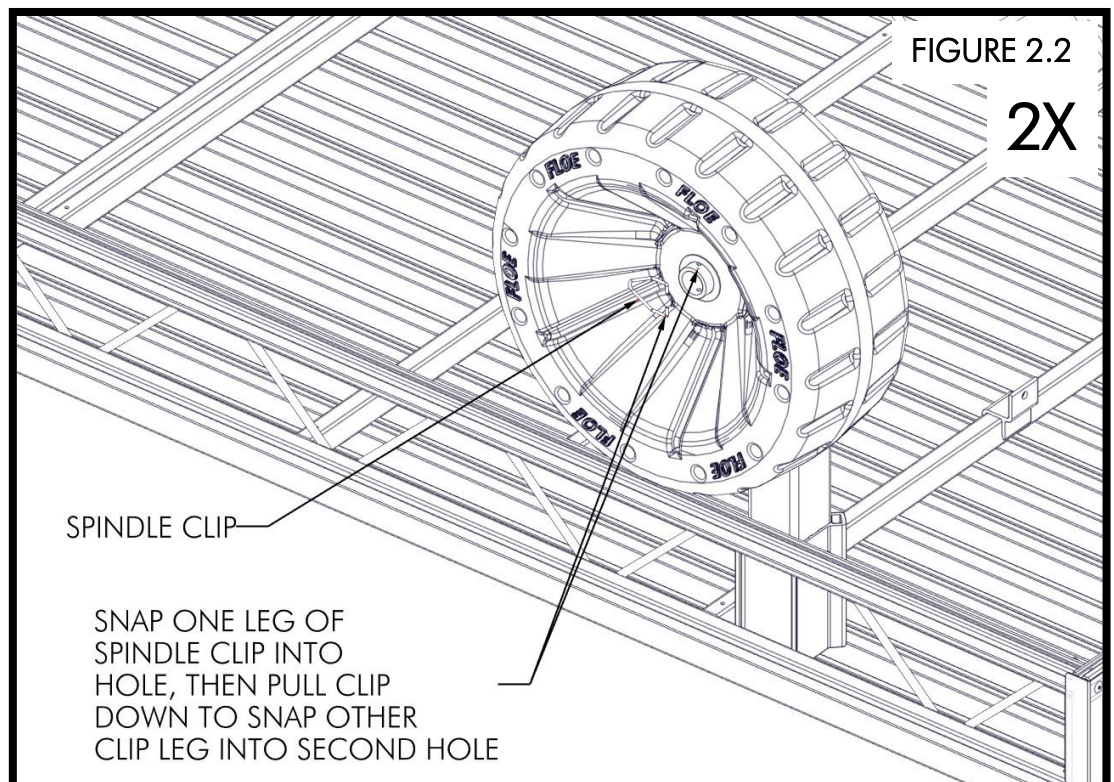
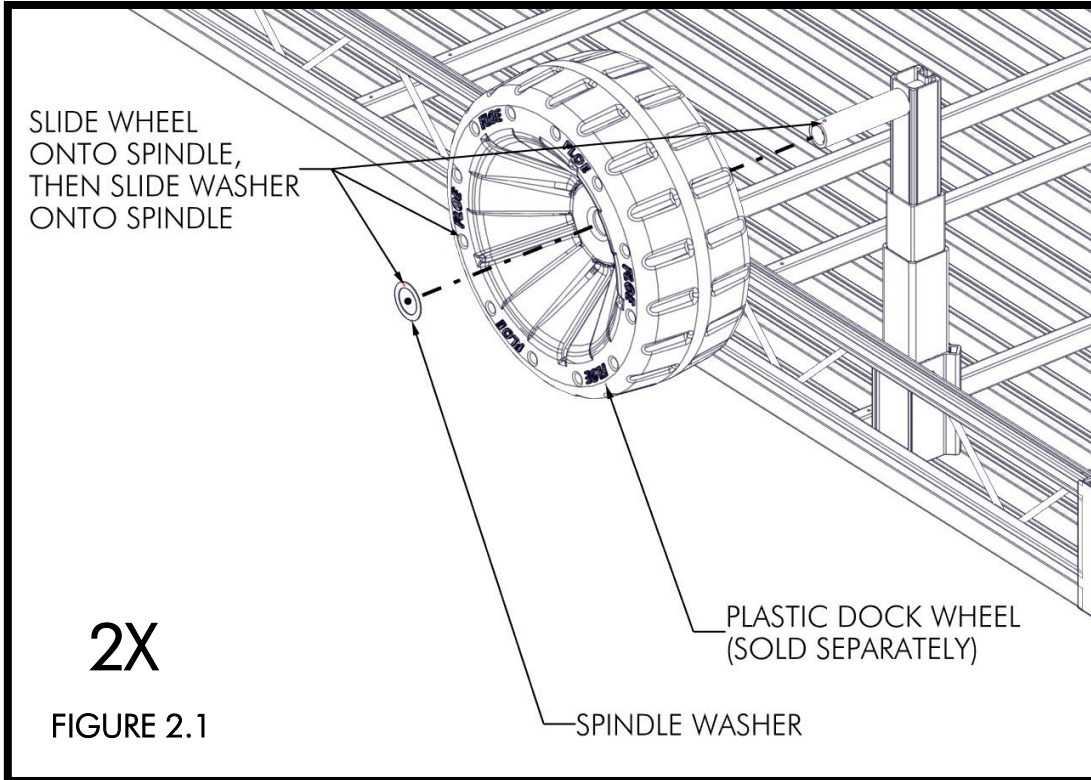
2X

TORQUE TO 20 FT-LB

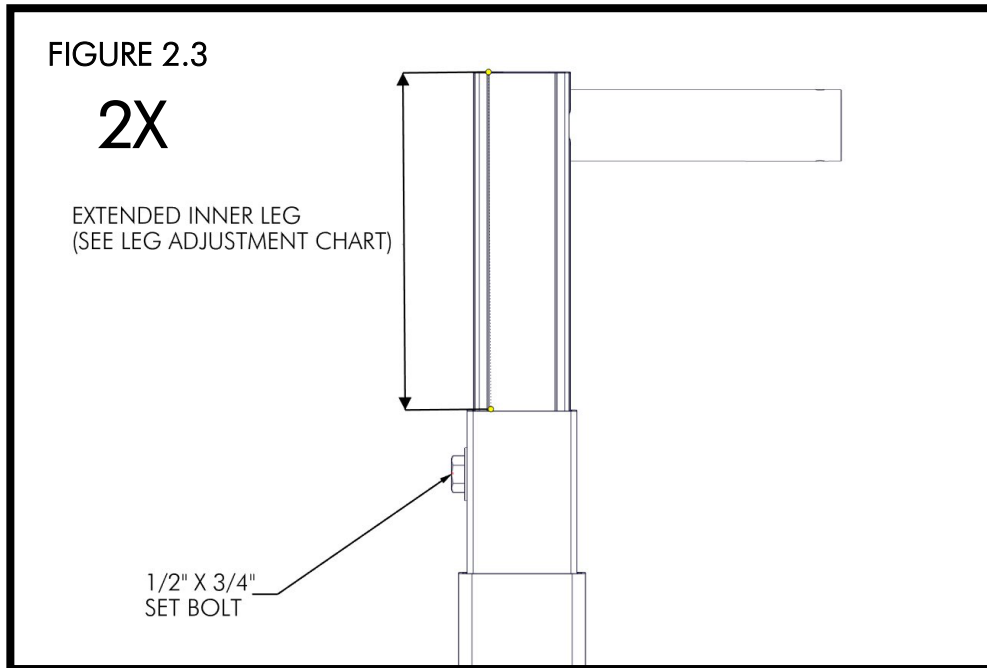


STEP 2

SLIDE WHEEL(S) (SOLD SEPARATELY) ONTO THE SPINDLE ON THE WHEEL KIT AND PLACE A 2-1/2" WASHER ONTO THE SPINDLE (FIGURE 2.1). INSERT SPINDLE CLIP LEG INTO ONE OF THE HOLES IN THE SPINDLE, THEN PULL CLIP DOWN TO SNAP OTHER CLIP LEG INTO THE SECOND HOLE (FIGURE 2.2).



THE INNER LEG SHOULD BE ADJUSTED NOW BY LOOSENING THE 1/2" SET BOLT AND EXTENDING THE INNER LEG (FIGURE 2.3). SEE THE CHART BELOW AND FIGURE 2.3 FOR APPROXIMATE INNER LEG EXTENSION. USE THIS CHART AS A REFERENCE. NEVER EXCEED 13" OF EXTENDED LENGTH.



! WARNING !

EXTENDING THE INNER WHEEL KIT LEG MORE THAN 13" CAN CAUSE THE DOCK TO BECOME UNSTABLE AND REDUCE THE STRUCTURAL INTEGRITY OF THE WHEEL KIT.

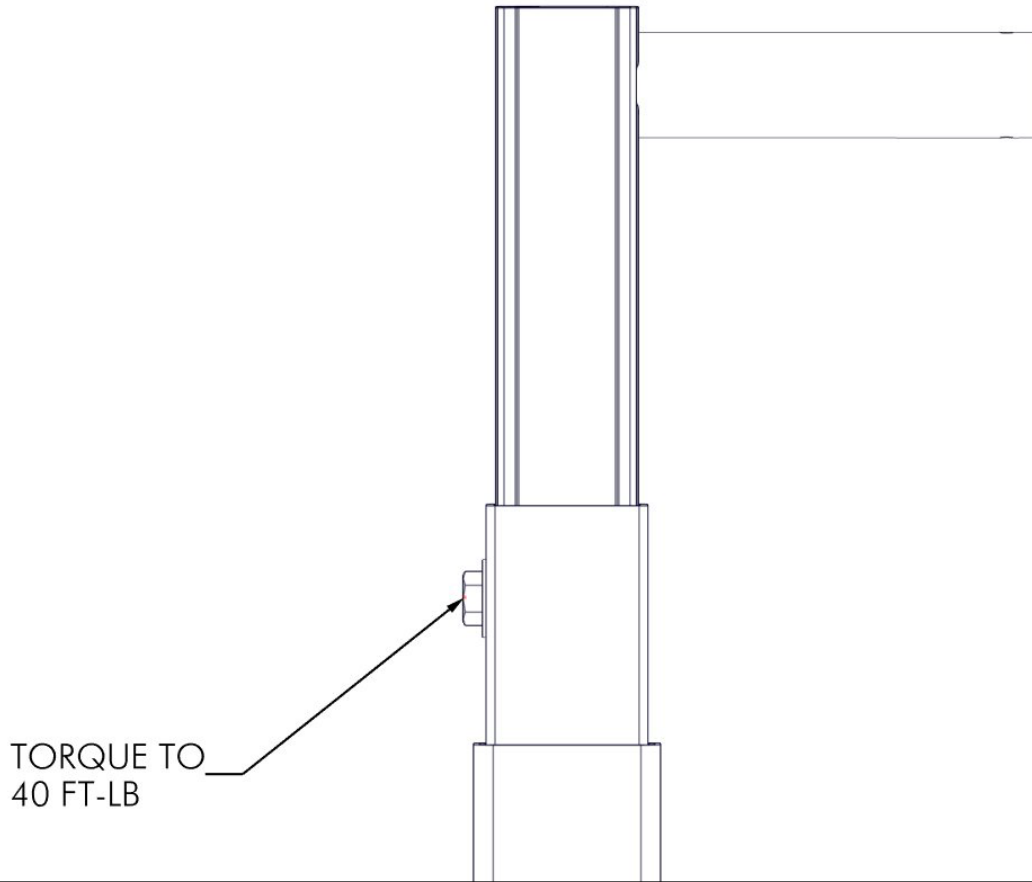
LEG ADJUSTMENT CHART	
**WATER DEPTH	EXTENDED INNER LEG
13"-19"	2-5/8"
19"-25"	8"
25"-30"	13"

**WHEN DETERMINING WATER DEPTH, INCLUDE THE AMOUNT OF SETTLING THAT WILL OCCUR IF YOU HAVE A SOFT OR MUDDY LAKE BOTTOM

TORQUE TO 40 FT-LBS ONCE LEG HEIGHT IS SET (FIGURE 2.4).

FIGURE 2.4

2X



STEP 3

TURN DOCK RIGHT SIDE UP (FIGURE 3.1). ATTACH QUICK CONNECTS TO THE WHEEL KIT END OF THE DOCK SECTION IF ANOTHER SECTION IS TO BE CONNECT TO IT. TO ATTACH DOCK SECTIONS IN A STRAIGHT LINE, QUICK CONNECTS SHOULD BE ASSEMBLED AS SHOWN. SPACE THE QUICK CONNECTS AS FAR OUT AS POSSIBLE BY POSITIONING THE BRACKETS 1-5/8" FROM THE OUTSIDE OF THE DOCK TO THE OUTSIDE OF THE BRACKET (THERE WILL BE APPROXIMATELY A 1/4" GAP BETWEEN THE BRACKET AND THE INSIDE OF THE COVER) (FIGURE 3.2 & 3.4).

FIGURE 3.1

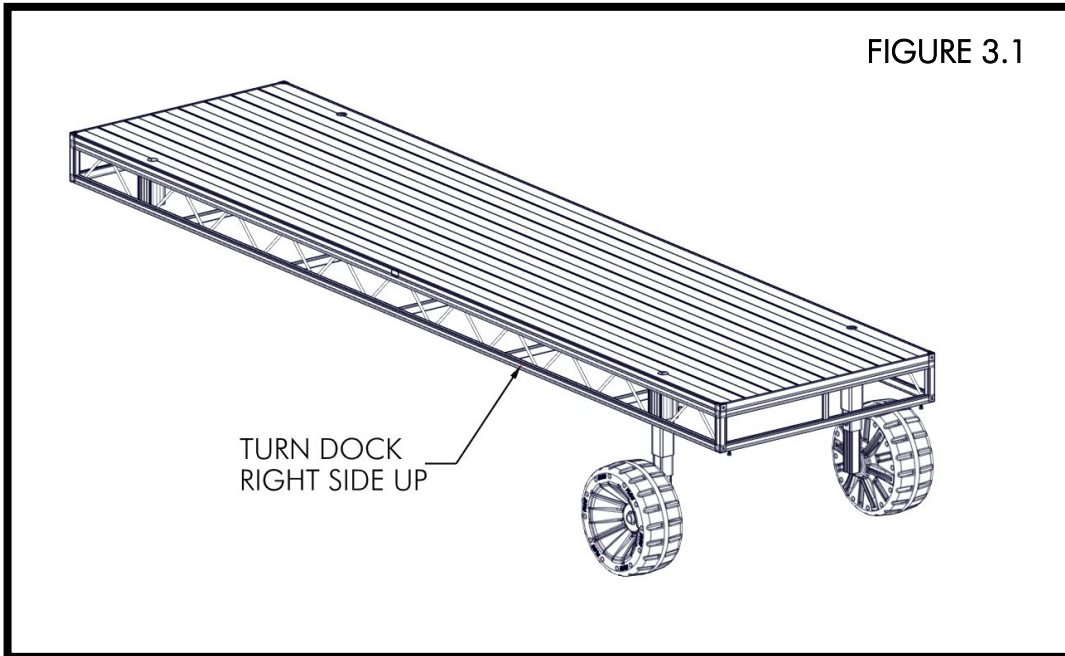
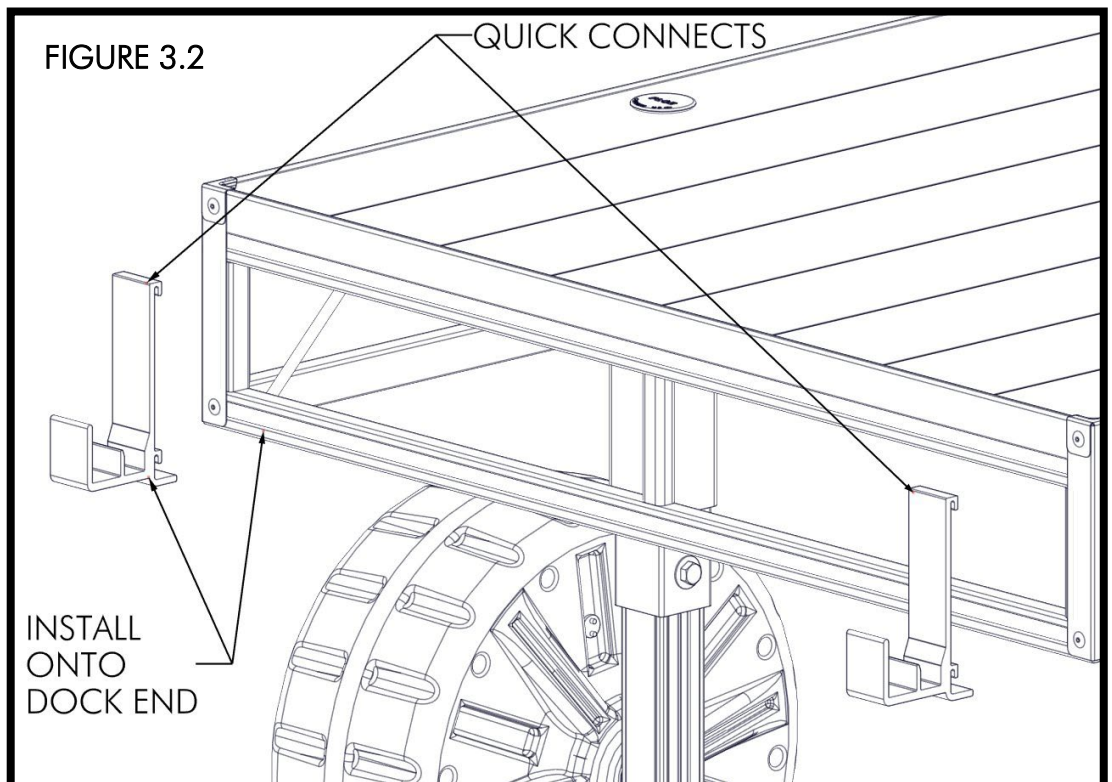
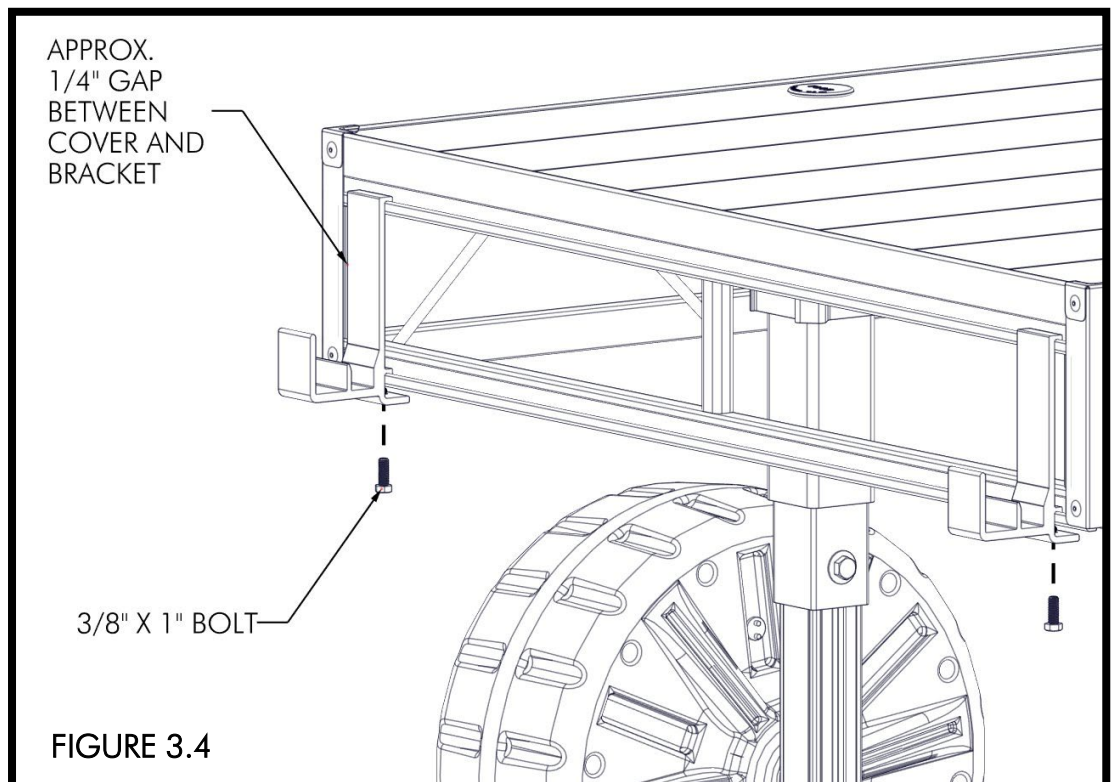
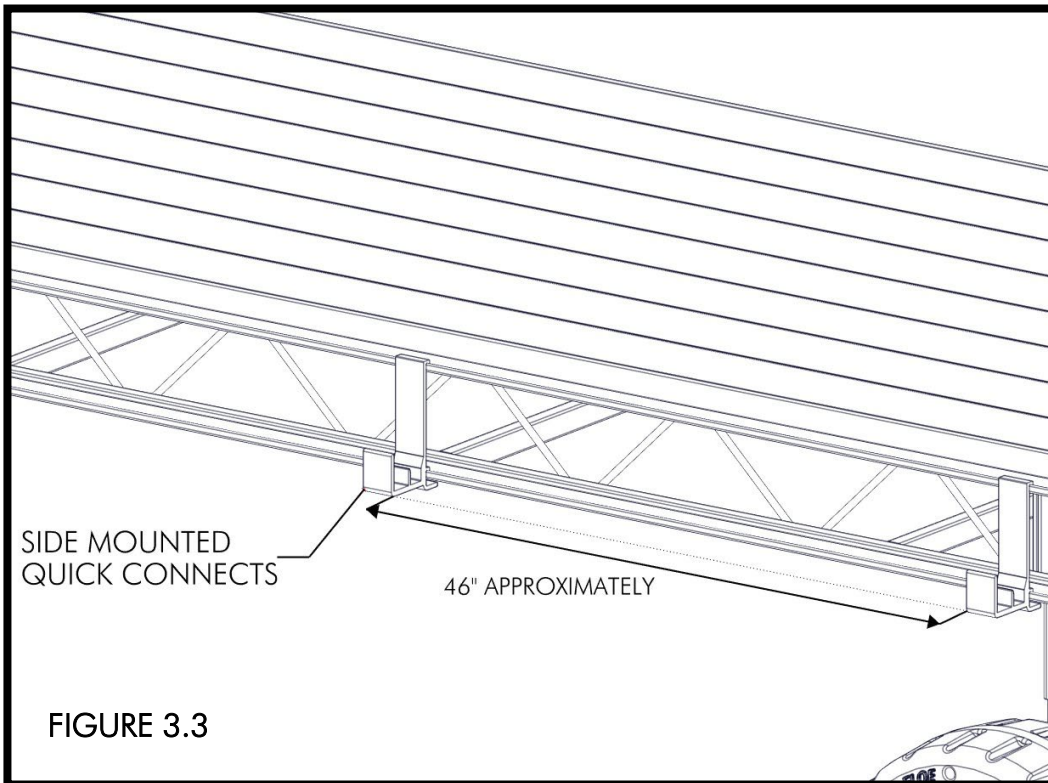


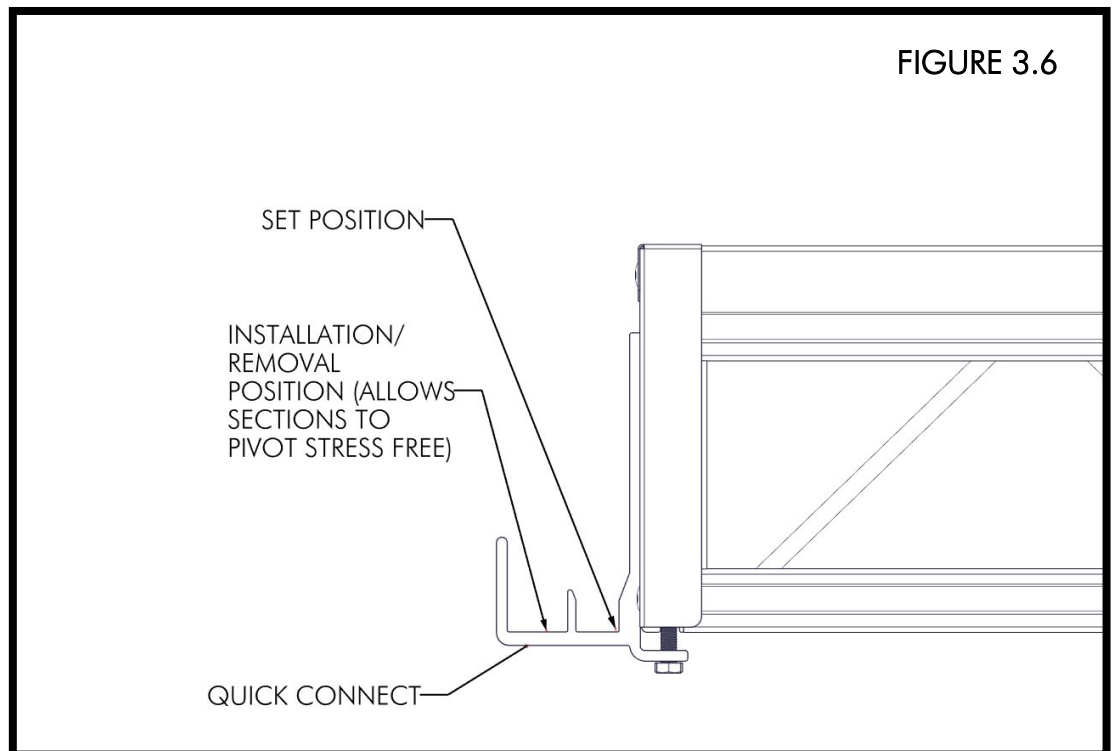
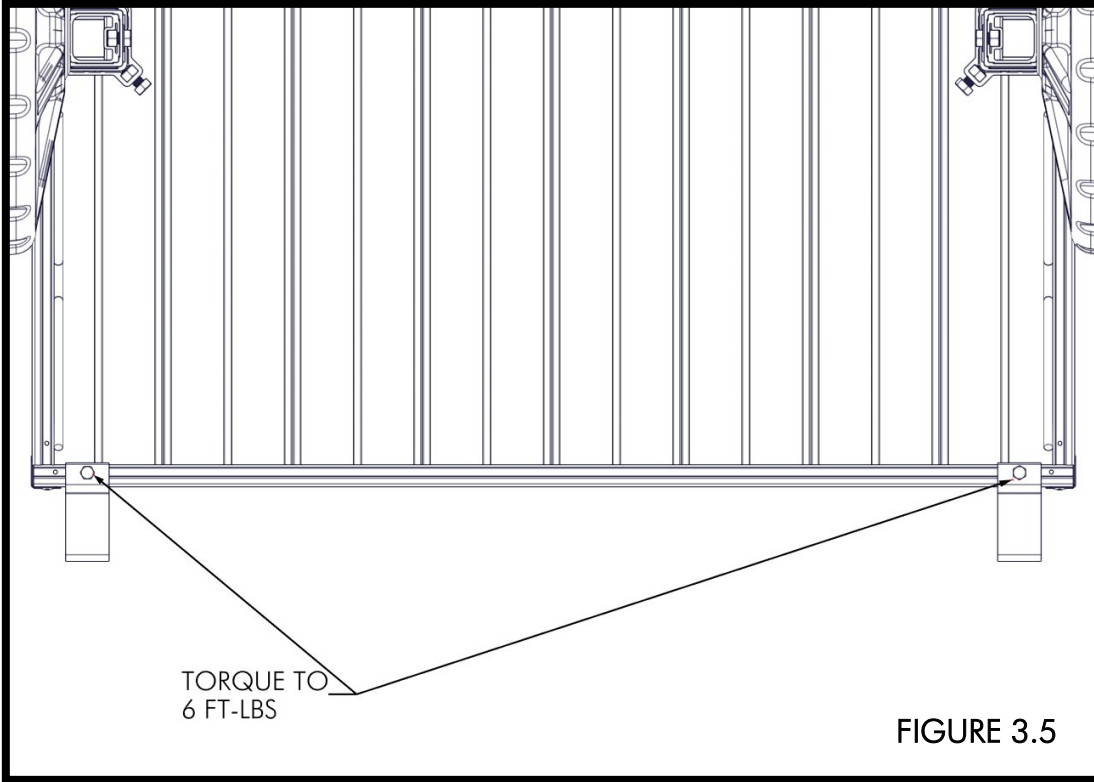
FIGURE 3.2



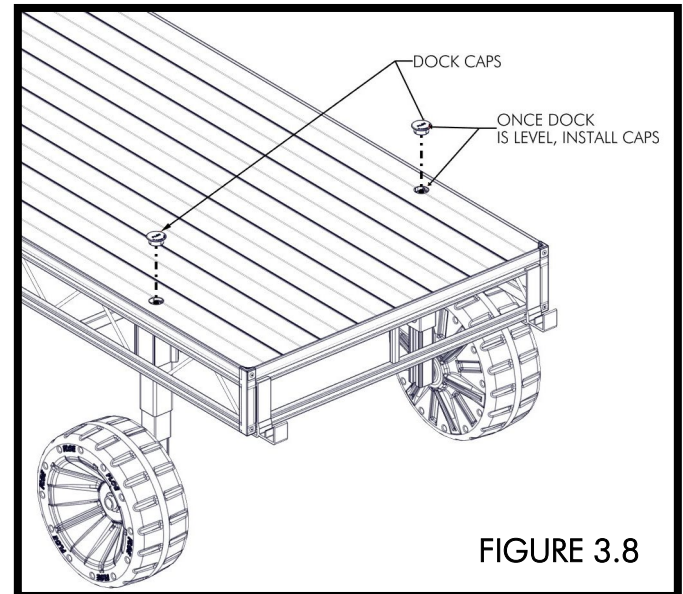
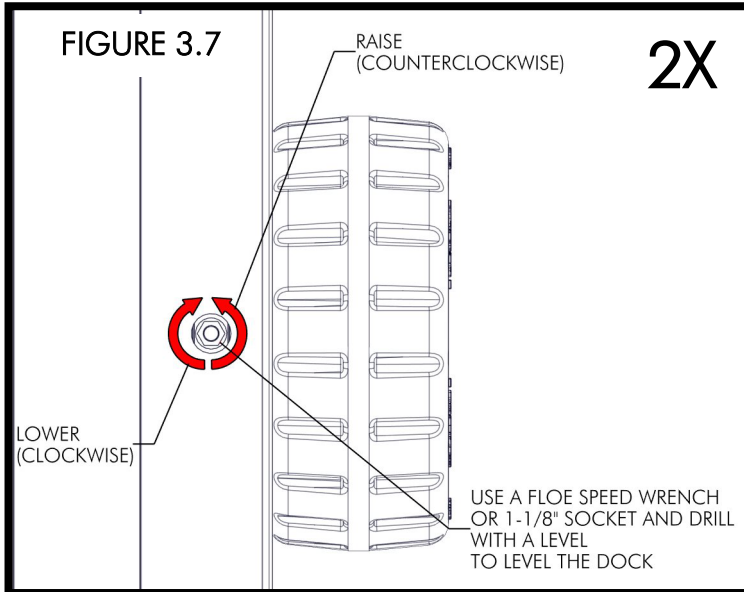
WHEN ANOTHER DOCK SECTION CONNECTS TO A SIDE OF THE DOCK, QUICK CONNECTS SHOULD BE PLACED AS SHOWN (FIGURE 3.3). ATTACH USING A 3/8" X 1" BOLT PER CONNECT. POSITION THE BRACKETS 1-5/8" FROM THE OUTSIDE OF THE DOCK TO THE OUTSIDE OF THE BRACKET (THERE WILL BE APPROXIMATELY A 1/4" GAP BETWEEN THE BRACKET AND THE INSIDE OF THE COVER) (FIGURE 3.4).



TORQUE BOLTS TO 6 FT-LB MAXIMUM (FIGURE 3.5). **QUICK CONNECTS SHOULD BE SPREAD APART AS FAR AS POSSIBLE TO KEEP THE JOINING SECTION FROM SHIFTING SIDEWAYS.** PLACE CONNECTING DOCK SECTIONS IN THE QUICK CONNECT INSTALLATION/REMOVAL POSITION WHEN INSTALLING OR REMOVING MULTIPLE SECTIONS. PUSH THE DOCKS INTO POSITION IN THE WATER. ONCE THE DOCKS ARE IN POSITION, PUT THEM IN THE QUICK CONNECTS SET POSITION (FIGURE 3.6).



WITH THE CAPS REMOVED FROM THE DOCK, USE A FLOE SPEED WRENCH OR 1-1/8" SOCKET AND CORDLESS DRILL TO ADJUST THE HEIGHT OF THE DOCK SO THE BOTTOM FRAME OF THE DOCK IS APPROXIMATELY 8" ABOVE THE WATER. *SEE NOTE ON SHEET 1. TURN THE DOCK ADJUSTING NUT ON THE TOP OF THE DOCK CLOCKWISE TO LOWER THE DOCK AND COUNTERCLOCKWISE TO RAISE THE DOCK. USE A LEVEL TO MAKE SURE ALL DOCK SURFACES ARE LEVEL (FIGURE 3.7). ONCE THE DOCK IS SET IN PLACE AND LEVELED, RE-INSERT THE PLASTIC CAPS IN THE ADJUSTMENT NUT HOLE (FIGURE 3.8).



! WARNING !

CORDLESS DRILL MAY COME TO A SUDDEN STOP WHEN THE LEG IS FULLY EXTENDED OR RETRACTED. BE SURE TO HAVE YOUR CORDLESS DRILL IN CLUTCH MODE WHEN ADJUSTING THE LEGS. USE OF A CORDED DRILL MAY CAUSE ELECTROCUTION. FAILURE TO USE DRILL IN CLUTCH MODE MAY CAUSE INJURY TO YOUR HAND OR ARM.

! WARNING !

NEVER ADJUST YOUR DOCK LEGS WITH AN IMPACT WRENCH. IF YOU CAN NOT TURN THE ADJUSTING NUT, DO NOT FORCE IT – YOU HAVE REACHED THE END OF THE ADJUSTMENT RANGE. DO NOT EXCEED 15 FT-LBS. APPLYING TOO MUCH FORCE TO YOUR DOCK LEGS WILL DAMAGE THE MECHANISM.

NOTES

