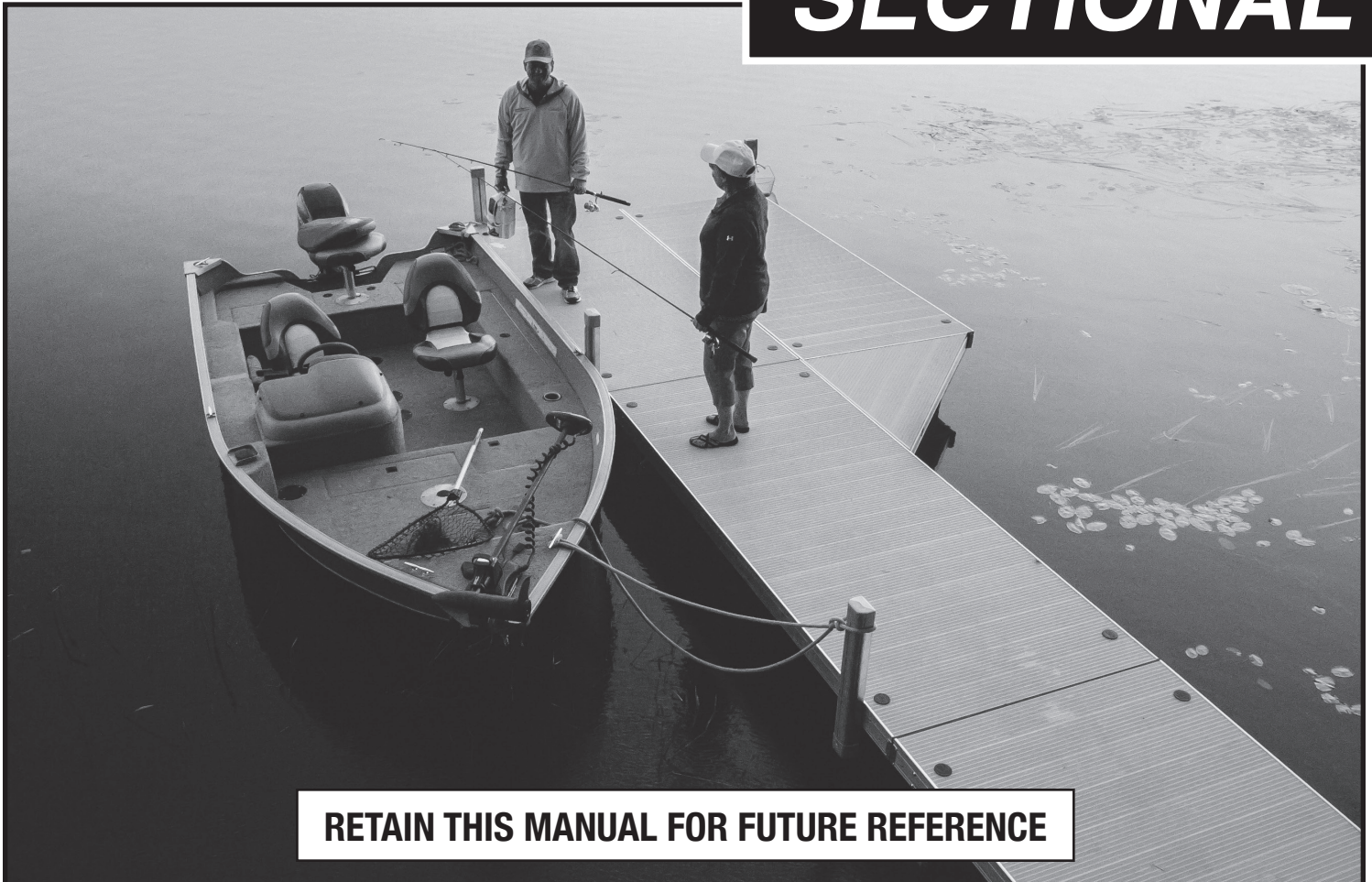




OWNER'S MANUAL

DOCK SYSTEMS

SECTIONAL



RETAIN THIS MANUAL FOR FUTURE REFERENCE



ATTENTION



ATTENTION



ATTENTION

Read and follow all safety rules and operating instructions carefully before attempting to install or operate dock system.

Refer to the Customized Training video for Dock Set-up, Installation and Removal on FLOE's website at www.floeintl.com/manuals-information

Visit our website at www.floeintl.com

Dear Friend,

Thank you and congratulations on the purchase of your new FLOE Dock System! The fact that you purchased a FLOE system indicates that you value durability, quality construction, and innovative features not found on other brands.



Our goal at FLOE is to build the easiest to use, most durable and safest docks possible. Once you have had the chance to use and enjoy your new FLOE system, we hope you will feel that we have delivered on these goals

Proper use of your new FLOE system will ensure you experience the highest level of enjoyment on the water. Please take the time to read and review the materials in this manual. In addition to many tips related to installation and removal of your dock system, you will find a great deal of information related to your safety and the safety of your friends and family.

We are proud to produce products that will serve as the platform for friends and family to gather, spend quality time together and generate memories that will last a lifetime.

Thanks again for choosing FLOE. See you on the water!

A handwritten signature in black ink that reads "Wayne Floe".

Wayne Floe, CEO - FLOE International

CONTENTS

Letter from Wayne Floe	2	Removal	9
Important Safety Information	3	Weight Rating	9
Sectional Dock Components	4	Snow Load.....	9
Modular Design	5	Maintenance	10
Definitions.....	5	Dock Accessories	11
How Leg Kits Work On Your Dock.....	6	Warranty & Registration	12-14
Quick Connects™	7		
Leveling the Dock.....	8		
Installation	8		

This manual is intended to serve as an owner's use and maintenance guide.
Detailed assembly instructions are packaged with the dock systems.

Please retain this manual for future reference

IMPORTANT SAFETY INFORMATION

Your safety and the safety of others is very important. We have provided many important safety messages in this manual and on your dock system. Always read and obey all safety messages.



This is the safety alert symbol. This symbol alerts you to hazards that can cause serious injury or potential death to you and others, plus damage to the dock system. All safety messages will be preceded by the safety alert symbol and the word “DANGER”, “CAUTION” or “WARNING.”

All safety messages will identify the hazard and tell you how to reduce the chance of injury.



DANGER

You will be killed or seriously injured if you don't follow instructions.



CAUTION

You can be killed or seriously injured if you don't follow instructions.



WARNING

Failure to take appropriate action could result in mechanical failure, product damage and/or cause serious injury or potential death.



DANGER

- ⚠ Never allow anyone under or on the dock when installing or removing the dock.
- ⚠ Use of a corded drill may cause electrocution.
- ⚠ FLOE docks hold 30 lbs per square foot of weight evenly distributed evenly across the dock. A 4'x12' dock holds 1440 lbs. Never exceed the weight capacity of your dock.
- ⚠ Never allow anyone to dive off dock in shallow water.



CAUTION

- ⚠ Never run on a dock. Dock may be slippery when wet.
- ⚠ Steps may be slippery. Hold onto handrails while walking down steps.



WARNING

- ⚠ In northern climates, extreme snow accumulation can exceed dock capacity and should be removed, or store the dock on its side to prevent accumulation.



WARNING

- ⚠ Never adjust your dock legs with an impact wrench or hammer drill. If you cannot turn the adjusting nut, do not force it – you have reached the end of the adjustment range. DO NOT exceed 15 ft/lbs. Applying too much force to your dock legs will damage the mechanism.
- ⚠ Cordless drill may come to a sudden stop when the leg is fully extended or retracted. Be sure to have your cordless drill in clutch mode when adjusting the legs. Use of a corded drill may cause electrocution. Failure to use drill in clutch mode may cause injury to your hand or arm.
- ⚠ If transporting a dock from one lake to another be sure to follow any regulations regarding invasive species such as Zebra Mussels. Contact your local Department of Natural Resources or government agencies for further information. Help protect our lakes and rivers from any invasive species.
- ⚠ If sand pads are sunk in mud, slowly rock or left to release mud before removing or you may damage the dock.
- ⚠ Never leave a Quick Connect™ on a dock if you are not attaching a dock section to it. Serious injury could occur if someone fell or hit the Quick Connect™.

SECTIONAL DOCK COMPONENTS

Dock Sections

FLOE sectional docks come in three sizes: 4'x8', 4'x10' & 4'x12', enabling you to create a custom dock system. The modular design lets you easily add on as your needs increase.



Once your main dock system has been connected, you may need to attach other components and accessories.



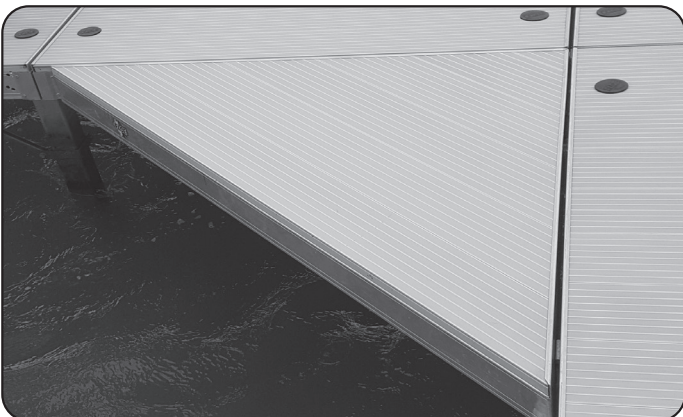
Shore-End Ramps

The very first section is used as a ramp and sits on the ground.



3' Shore-End Transition Ramp

When all you need is that little extra. Our 3' Transition Ramp is perfect for when you have a small transition or when working with a limited shoreline. 4'x3'



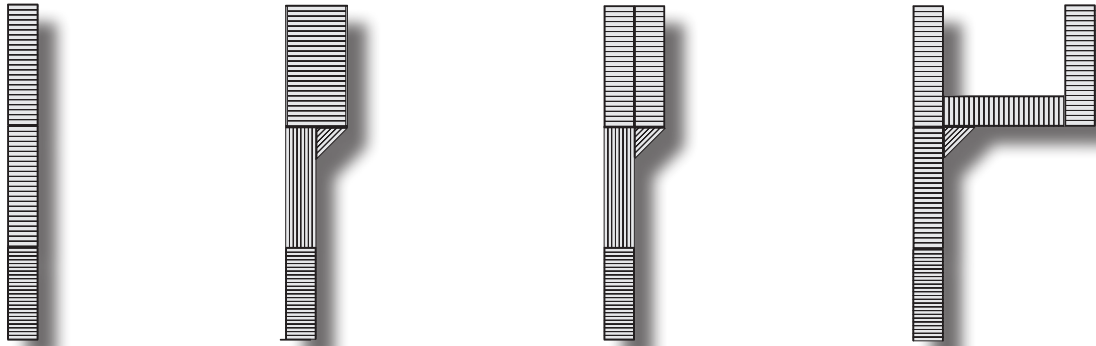
Dock Wedges

Increases your deck space while making an attractive, safe corner. They also make a great spot to attach a bench, ladder, or furniture. 48".

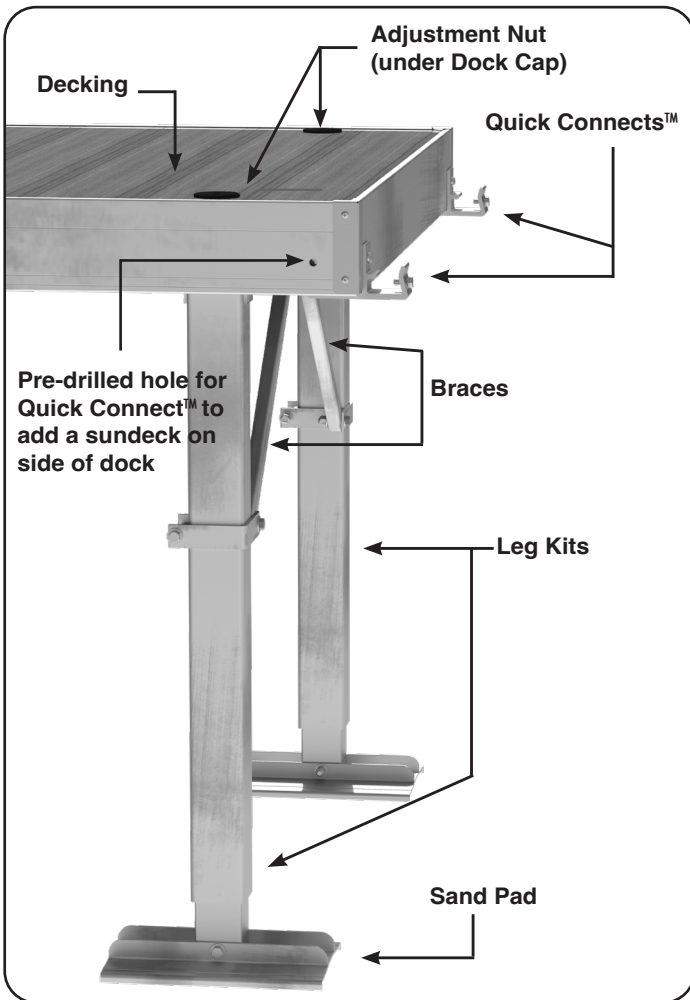
MODULAR DESIGN

FLOE's modular design lets you create your ideal system – create any dock you desire without the custom cost. Shown below are just a fraction of the systems that you can create with modular components; the configuration possibilities are endless. Add components as your needs grow.

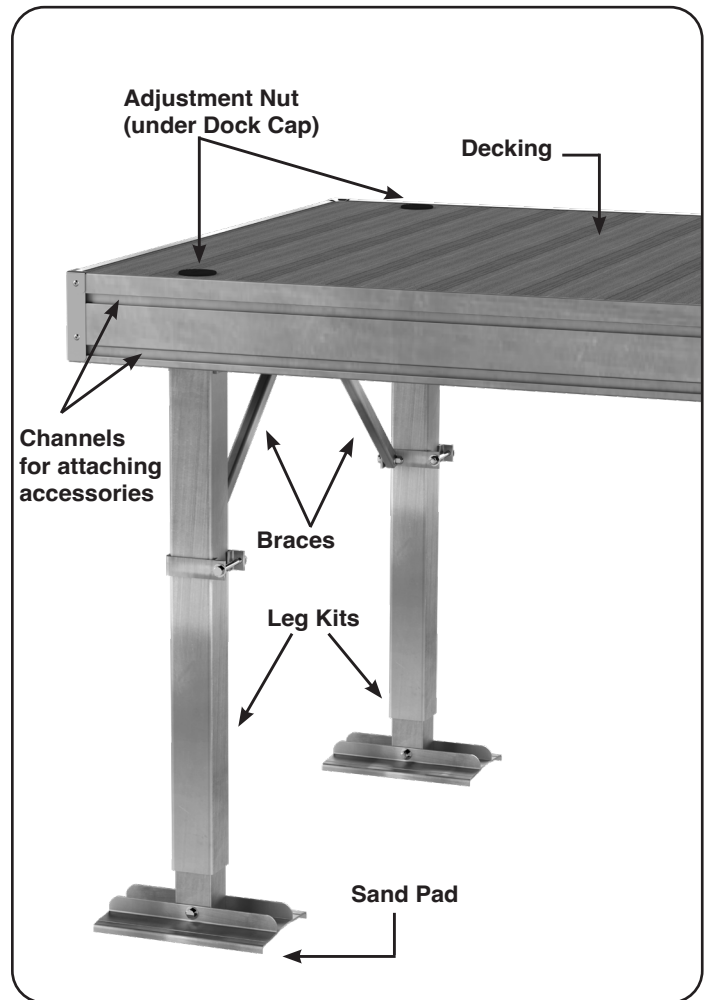
FLOE's modular engineering allows you to simply configure sections and add components where and when you want them. Layout designs are endless. See your FLOE dealer or use our Design-a-Dock program on our website www.floeintl.com to create your perfect dock system.



DEFINITIONS

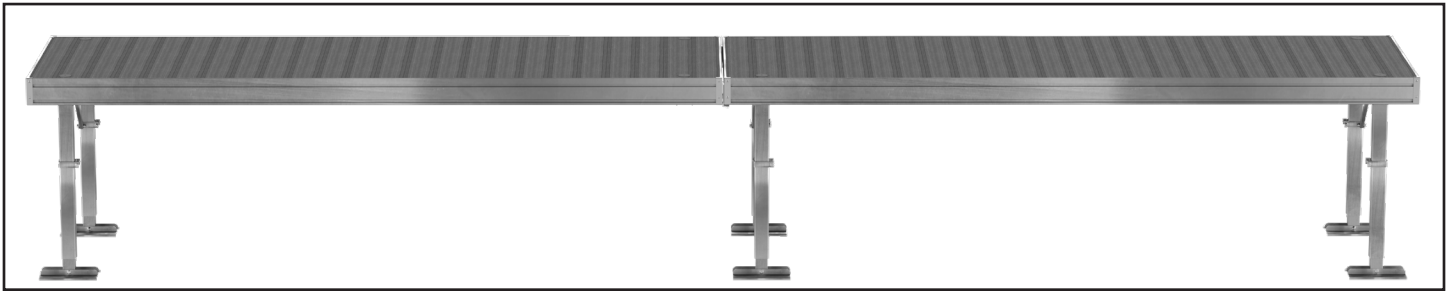


Standard



Quick Attach™

HOW LEG KITS WORK ON YOUR DOCK



It is important that you have the correct leg kits for your water depth.

- FLOE docks are typically ordered with Easy-Level™ leg kits on each section. The four sizes available are for varying water depths. Be sure your water depth falls in the middle of a leg adjustment range so you are able to adjust up or down with fluctuating water conditions. When determining water depth, include the amount of settling that will occur if you have a soft or muddy lake bottom.

	Water & mud depth	Total travel
XX-Shallow	0 - 8"	8"
Extra Shallow	8" - 22"	14"
Shallow	18" - 38"	20"
Medium	26" - 54"	28"
Deep	42" - 82"	40"

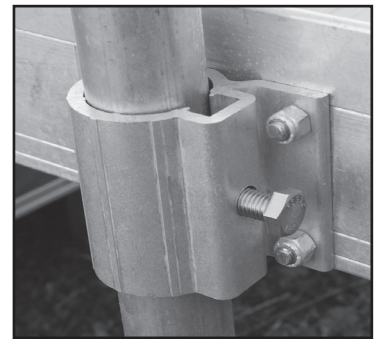
- Leg kit measurements are calculated with the top of the dock frame being 17" out of the water. If you need to have your dock higher or lower out of the water, add or subtract that amount to the depth measurement.
- If you have wave conditions exceeding 17", the dock height should be raised so waves pass under the dock surface.

BRACKET AND PIPE OPTION (Standard Sectional Docks Only)

INSTEAD OF EASY LEVEL™

(Each component sold separately)

For a more economical option, brackets with hardware, quick connects, standard pipe and pipe pads are also available.



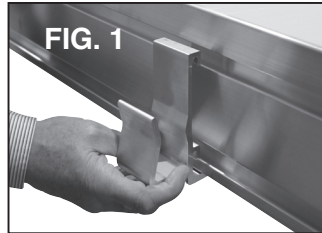
- Attach the bracket in desired location along dock side.
- Simply insert pipe into the brackets and tighten the set bolts at the proper height. You can even reuse pipes you already have.

QUICK CONNECTS™

- Quick Connects™ link modular dock sections together instead of hard bolting. This allows for quickly adding or disconnecting dock sections. They can be placed anywhere along the dock to create custom configurations.

QUICK ATTACH DOCKS

- On Quick Attach™ Sectional docks, the Quick Connects™ slide into the side channel. (FIG. 1)

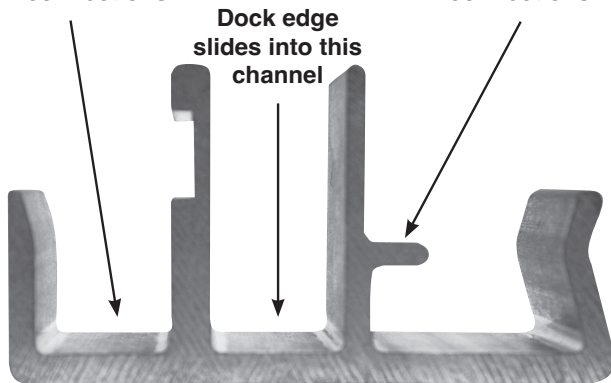


STANDARD SECTIONAL DOCKS

- Standard Sectional Quick Connects™ are reversible. At each dock connection point, one side of the Quick Connect™ will be used and one will not.
- On Standard Sectional docks, there are pre-drilled holes for Quick Connects™ on the ends of each dock. You may need to drill a hole for the Quick Connects™ if you are placing a dock section off the middle of a section.

No spacer tab for side-to-side dock connections

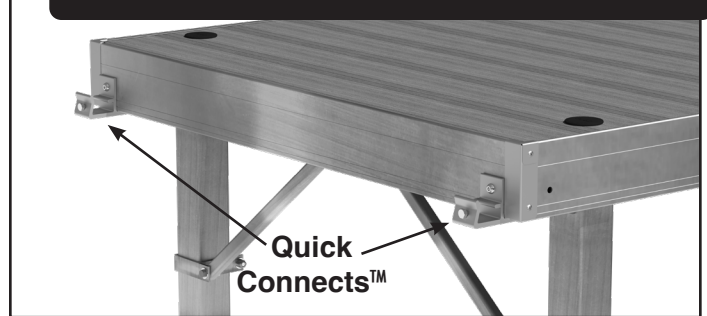
Spacer tab for end-to-end dock connections



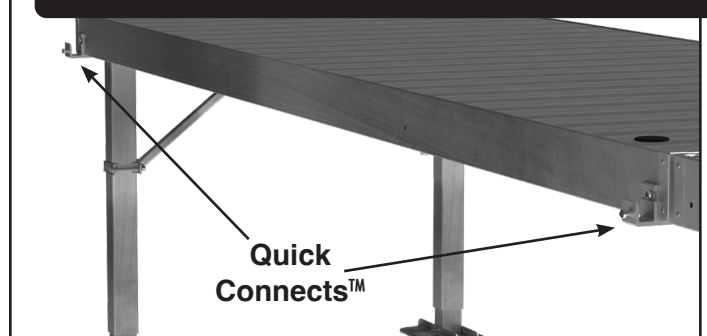
The side *with* the spacer tab is used for connecting sections end-to-end. The other side is used for connecting side-to-side.

- Incorrect orientation will either produce a large gap, or will not provide enough space to connect the sections together.

Standard Sectional End Connections



Standard Sectional Side Connections



- When placing docks side-by-side, and when using wedges, safety Quick Connects™ are required in addition to standard Quick Connects™. On the safety Quick Connect™, be sure the Y-bolt is tightened so the adjoining dock doesn't move.

STANDARD SECTIONAL SAFETY QUICK CONNECT

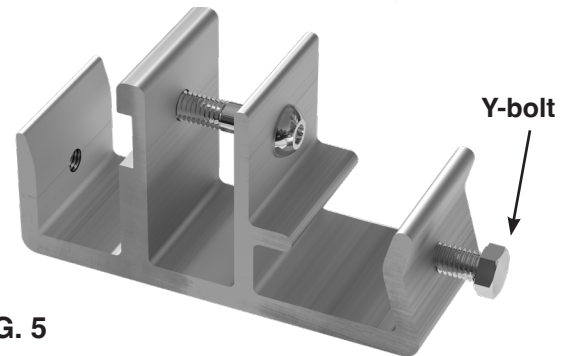


FIG. 5



WARNING

Never leave a Quick Connect™ on a dock if you are not attaching a dock section to it. Serious injury could occur if someone fell or hit the Quick Connect™.

INSTALLATION

Refer to the Customized Training video for proper Dock Set-up, Installation and Removal on FLOE's website at www.floeintl.com/manuals-information. Sectional Docks are installed by placing a section at the shore and adding sections to create your desired layout.



Adjusting legs with cordless drill



Adjusting legs with FLOE Speed Wrench

LEVELING THE DOCK

- Using a 1-1/8" socket or FLOE Speed Wrench, adjust each leg by turning the adjusting nut clockwise to lower and counter clockwise to raise the dock. Simply adjust the height of each leg so the top frame of each dock is above the water, unless a higher clearance is required. Use a level to ensure all surfaces are level. Once the dock is level, insert the plastic caps in the adjustment hole.
- During adjustment, alternate legs after a few inches. This will reduce binding of the sections and make leveling easier.

Sectional Dock Weights

Aluminum		Composite	
8-ft.	97 lbs	8-ft	100 lbs
10-ft	120 lbs	10-ft	122 lbs
12-ft.	143 lbs	12-ft	144 lbs



WARNING

Cordless drill may come to a sudden stop when the leg is fully extended or retracted. Be sure to have your cordless drill in clutch mode when adjusting the legs. Use of a corded drill may cause electrocution. Failure to use drill in clutch mode may cause injury to your hand or arm.



WARNING

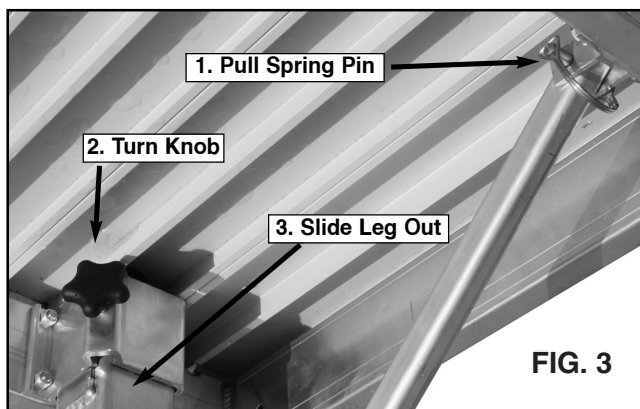
If you cannot turn the adjusting nut, do not force it – you have reached the end of the adjustment range. Do not exceed 15 foot pounds. Applying too much force to your dock legs will damage the mechanism.

REMOVAL

- If the dock is located where water freezes, it should be removed prior to ice developing as ice can cause damage to the dock system. Some accessories may need to be removed prior to removal such as steps and flag poles. You may also choose to remove furniture and store out of the elements over the winter. Accessories such as bumpers, ladders, benches and cleats are commonly left on a sectional dock in the off-season.
- Once the dock is safely on shore, be sure it is clear from any future rising water or ice movement.
- FLOE's Quick Connect™ system allows dock sections to come apart quickly for off-season storage. Sectional docks can be stacked for more compact storage. Simply lift the dock section out of the Quick Connect™ and move to your storage area.



- To remove the legs so you can stack the docks for compact storage, simply pull the spring pin out from the braces, loosen the turn knob and remove the leg. No tools are required (FIG. 3).



- This is also a good time for a thorough dock inspection including checking for loose hardware, broken welds and ensuring the drain holes are free from obstructions. If there is water in the dock frame and it freezes, it could crack the dock frame.

REMOVING FURNITURE

- For seasonal removal loosen the 1/2 x 1" set bolt and carefully remove the pedestal and chair from the chair mount. The table and post may be detached by removing the 3/8 x 1-3/4" bolts.
- For more information on furniture installation/removal, refer to the instructions included with your furniture, or view the instructions online at www.floeintl.com under Manuals/Information.



WARNING

Chair weight capacity is 250 lbs.

WEIGHT RATING

When the dock is standing on its legs, the maximum weight capacity rating for post-sectional docks is 30 lbs. per square foot spread over the dock section. For example, a 4'x12' dock has 64 square feet and a total weight capacity rating of 1,440 lbs.

SNOW LOAD

Denser, wet snow, or severe accumulation of fluffy snow, may exceed the weight capacity of the dock. Rain on top of snow compacting the snow adds considerable weight to the docks. If in a heavy snow region, it may be best to disconnect the dock sections. Keep them shoveled as you would the roof of your house. Take care so you do not scratch the dock surface. Sections may also be placed on their side to minimize snow/ice load.

15" of compacted snow or 6" of ice will exceed the weight capacity.



WARNING

Snow load may exceed capacity of the dock.

MAINTENANCE

Aluminum docks require little maintenance. To keep the deck looking new, occasionally wet dock and use a soft brush to clean. Do not use a power washer, as you may damage the paint.

If your dock has become submerged and has become stained, use a mild detergent. Apply with a soft cloth in a circular motion. For severe stains, use an aluminum alloy wheel cleaner. Always ensure you use chemicals away from the shoreline to ensure they do not enter the lake.



WARNING

If transporting a dock from one lake to another be sure to follow any regulations regarding invasive species such as Zebra Mussels. Contact your local Department of Natural Resources or government agencies for further information. Help protect our lakes and rivers from any invasive species.

FURNITURE CARE & MAINTENANCE

Preserve your sling chairs by using furniture covers or storing out of the elements when not in use.

FRAME: Clean frames with a mild solution of soap and water, rinse with clean water and dry thoroughly. Do not use abrasive materials or strong detergents. Twice a year, apply a quality automobile wash/clear wax to frame to protect against UV light and salty, damp air. In cold climates, drain any water accumulated inside the frames before storing.

FABRIC: Clean mesh fabric by hand with a mild solution of soap and water. Do not use bleach or solvents on fabrics.



WARNING

It is the installer's responsibility to properly install this chair in a manner that is secure and will ensure that the chair will not tip over, disconnect or damage the dock system when in use. Failure to do so may result in a serious injury or potential death.

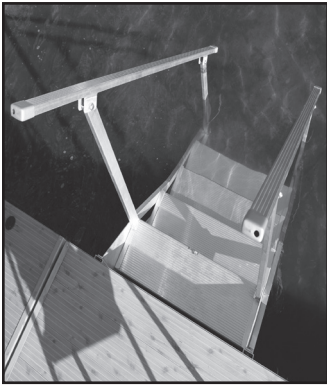


WARNING

Chair weight capacity is 250 lbs.

ACCESSORIES

FLOE offers many accessories for your sectional dock. Most accessories can be positioned anywhere along the dock. Refer to assembly instructions for details. All dock accessories must be assembled in accordance to FLOE's assembly instructions and torque specifications.



Stairs



Ladders



Furniture



Bench
(Also available in Aluma-Grain™)



Speed Wrench



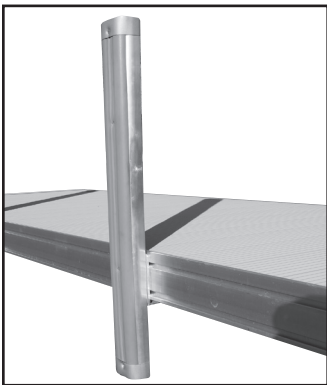
Lake Accessory Racks



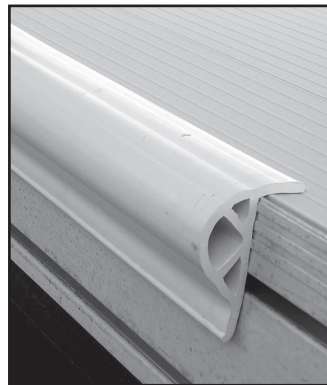
Telescoping Flag Pole



Fishing Pole Holder



Vertical Bumpers



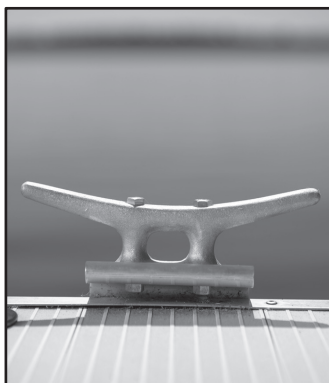
Bumper Edging



Corner Bumpers



Premium Corner Bumpers



Dock Cleats



Side Mount Dock Cleats



Handrails

FLOE INTERNATIONAL, INC. DOCK SYSTEM 15 YEAR LIMITED WARRANTY

FLOE INTERNATIONAL, INC. warrants, to the original purchaser, the FLOE dock system to be free from original defects in materials and workmanship under conditions and loads for which designed, and from the date of consumer purchase as follows:

WARRANTY GUIDELINES EFFECTIVE SEPTEMBER 1, 2004

TWO-YEAR PARTS AND LABOR WARRANTY

FLOE INTERNATIONAL, INC. will repair or replace, at their option, any portion of the dock system which fails as a result of a defect in material or workmanship during the first two years after the date of purchase. Items purchased by FLOE INTERNATIONAL, INC. are warranted by the original manufacturer and warranty is extended only to the original retail purchaser. FLOE INTERNATIONAL, INC. reserves the right to inspect and perform repairs at its main facility (F.O.B.) McGregor, Minnesota. This full two-year warranty includes parts and labor on the dock system and accessories including the following:

Aluminum frame structure, dock point, wheel kits, leg kits, leg bracing, support poles, quick-connects, flagpole, benches, furniture, kayak/canoe rack, ladders and bumpers.

Labor charges and mileage are covered within 40 miles from FLOE or the authorized FLOE dealership performing the repairs. Additional mileage/travel charges will apply if travel over 40 miles is required. If this charge applies, it is determined by the repairing dealer and must be paid by the customer to the dealer performing the repairs. Warranty does not cover damage, including broken welds, caused by improper installation or removal, or any damage of any sort caused by the use of power equipment.

EXTENDED PARTS WARRANTY

In addition to this two-year parts and labor warranty, additional warranty coverage applies to specific parts of the dock and accessories. All warranty coverage beyond two years is for parts only. Labor and mileage costs for any warranty claim are not covered past two years.

ALUMINUM DOCK FRAME AND ALUMINUM DOCK DECK 15-YEAR LIMITED WARRANTY

Defects in material and workmanship of structural components of the dock frame and deck are covered for 10 years from the date of purchase (excluding paint finish). FLOE will provide replacement parts, on a non pro-rated basis, for ten years from the date of purchase for these items if they are found to be defective in workmanship. After this 10-year parts warranty, an additional five-year pro-rated warranty covers these components as shown below. Aluminum decking warranty does not include paint fading, differences due to dye lot, paint wear, scratches or denting.

Year After Purchase	Consumer Portion of Current Retail Price	Year After Purchase	Consumer Portion of Current Retail Price
11	40% Parts only	14	70% Parts only
12	50% Parts only	15	90% Parts only
13	60% Parts only		

CARPET AND CEDAR DOCK DECKING

With the following exceptions, carpet and cedar dock decking is covered by the full two-year parts and labor warranty (above). On cedar decks, cracks and splintering are normal characteristics of wood and are not covered by this warranty. There is no further warranty over the two years on cedar deck docks. On carpeted docks color fade is normal and is not covered by this warranty. Manufacturers warranty on carpet is two years and plywood is one year.

In addition to the two-year warranty, carpet docks are warranted to be free from defects in material and workmanship on a pro-rated basis, for up to 10 years as shown below. Warranty does not cover fading, differences due to dye lot, mildew or wear.

Years Owned	Consumer Portion of Current Retail Price	Years Owned	Consumer Portion of Current Retail Price
3-5	0%	8	60%
6	40%	9	70%
7	50%	10	90%

DECKING

One year. Warranty is provided by plywood manufacturer. A lifetime warranty against damage as a result of fungal decay or rot as well as against damage caused by termites or other wood eating insects. Warranty does not cover inherent wood characteristics such as checking, leafing, splitting and broken grain.

DOCK ACCESSORIES AND WHEEL KIT/LEG KITS — 10-YEAR LIMITED WARRANTY

Defects in material and workmanship of certain accessories of FLOE dock systems are covered under a 10-year pro-rated warranty. Items covered in this 10-year pro-rated warranty include wheel kit legs, wheel kit braces, plastic wheels, benches (except cedar boards), bumpers, ladders, furniture, tables, kayak/canoe rack, flag pole, shore-end ramps (except cedar boards), support poles, poly decking and hammocks.

The pro-rated schedule of these items is as follows:

Years Owned	Consumer Portion of Current Retail Price	Years Owned	Consumer Portion of Current Retail Price
3	20%	7	60%
4	30%	8	70%
5	40%	9	80%
6	50%	10	90%

DOCK FLOATS – 15-YEAR LIMITED WARRANTY

Dock floats used on FLOE floating dock systems are warranted to the original owner against cracking, peeling, sloughing and deterioration from ultraviolet rays, while retaining its resiliency against ice and bumps by watercraft under normal usage.

This warranty does not cover any float drum that has been subject to negligence, misuse, alterations, accidents, storm abuse or improper installation and support.

Floats are covered in the two-year parts and labor warranty. In addition, FLOE will provide replacement floats on a non pro-rated basis for the first ten years and then pro-rated as below. Replacement labor not included.

Year	Consumer Portion of Current Retail Price	Year	Consumer Portion of Current Retail Price
11	50%	14	80%
12	60%	15	90%
13	70%		

This warranty covers only the cost for replacement of materials due to defects in materials or workmanship and represents the only warranty authorized by us. In order to receive performance under this warranty, all warranty repairs must be authorized in advance by FLOE INTERNATIONAL, INC. Dock floats purchased prior to March 10, 2006 are covered under a 12 year limited warranty.

ADDITIONAL WARRANTY INFORMATION INCLUDING EXCLUSIONS AND OWNER'S RIGHTS

FLOE International, Inc. (manufacturer) will not be responsible for any costs incurred for, or as the result of, unauthorized repairs or improper assembly. Unauthorized repairs may void the warranty on the repaired part(s). This warranty does not cover damage, malfunction or faulty operation resulting from overload, misuse, wind, storms, ice, salt/brackish water applications, negligence, being hit by watercraft of any kind and any other 'Act of God'. Manufacturer's warranty coverage extends to private use only and is not applicable to commercial or rental use. Manufacturer is not responsible for damage or inoperability due to repairs made by unauthorized service personnel. Parts purchased by the manufacturer are warranted by the company that manufactured the part under the warranty schedule associated with the part in question. Manufacturer's warranty is extended to the original owner only and is non-transferrable. Manufacturer reserves the right, at its own discretion, to inspect and perform repairs at its main facility in McGregor, MN. The customer is responsible for any and all freight charges incurred to transport the product to and from McGregor, MN, with the exception of claims covered by the manufacturer's two-year parts and labor warranty which has provisions for service work to be completed up to 40 (forty) miles away from a FLOE dealership. Manufacturer's warranty claim process, specifications and pro-rate scheduling may change without notice and/or obligation.

COMPLETING AND SUBMITTING YOUR WARRANTY CLAIM

To receive performance under this warranty, contact your authorized FLOE dealer. Be prepared to provide the following information so that the dealer can complete a warranty claim form: receipt and date of purchase; your name, address and telephone numbers; the serial or vehicle identification numbers; and a detailed description of the problem.

THERE ARE NO OTHER EXPRESSED OR IMPLIED WARRANTIES

Our obligations under this warranty are limited to repair or replacement at our discretion and
FLOE SHALL NOT BE LIABLE FOR INCIDENTAL OR CONSEQUENTIAL DAMAGES OF ANY KIND.

This Warranty gives you specific legal rights and you may have other rights which may vary from state to state.



FLOE INTERNATIONAL, INC.
48473 STATE HIGHWAY 65 • MCGREGOR, MN 55760
www.floeintl.com

*All material copyright © 2022 FLOE International, Inc. Unauthorized reproduction is strictly prohibited.
Specifications subject to change without notice.*