

FLOE QUICK ATTACH ROLL-IN CLEAT BRACKET

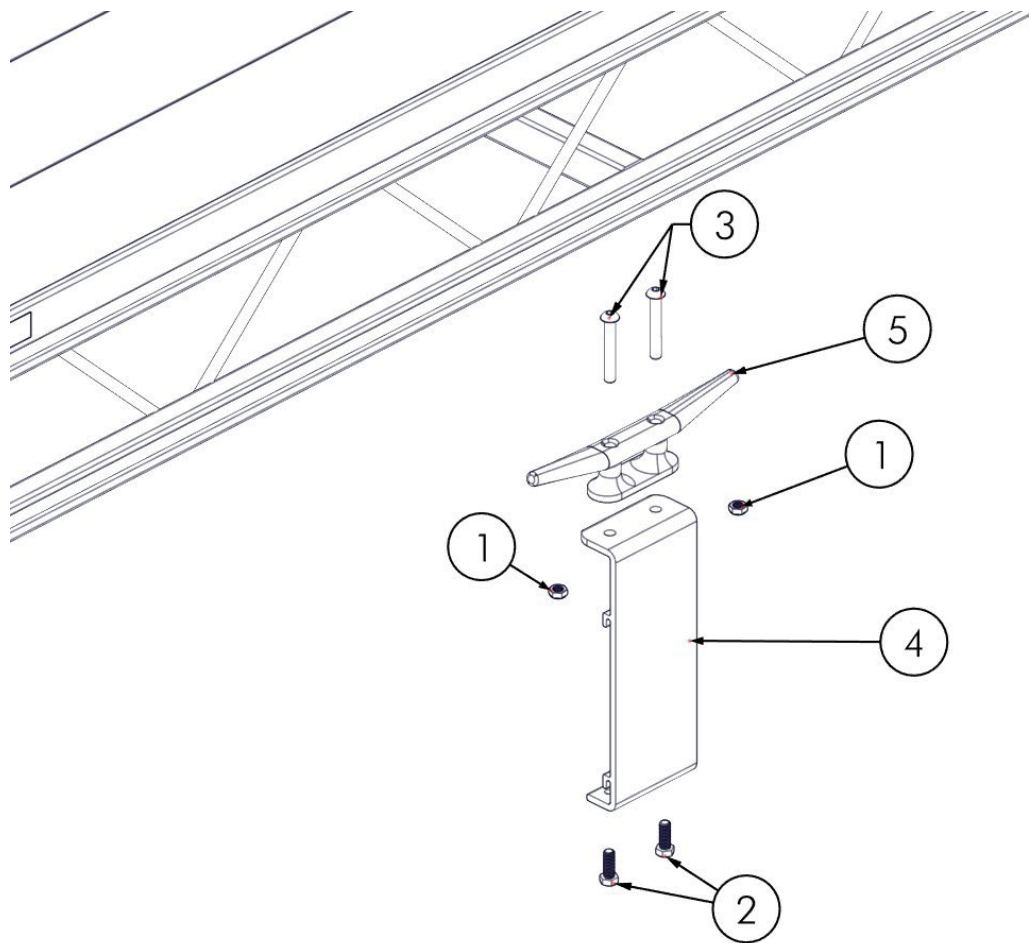
ASSEMBLY INSTRUCTIONS

KIT P/N 510-02604-00

BILL OF MATERIALS/EXPLODED VIEW



P/N 110-00289-00		ASS'Y, QA SECTIONAL CLEAT – 10" CAST	
NO.	PART NUMBER	DESCRIPTION	QTY
1	001-37026-00	NUT, 3/8-16 JAM NYLOCK – ZINC	2
2	001-70105-00	HHCS, 3/8-16 X 1" SS	2
3	001-73821-00	BHCS, 3/8-16 X 2-1/2" SS 18-8	2
4	002-00147-00	BRACKET, QUICK ATT. CLEAT – 4"	1
5	510-34300-00	DOCK CLEAT, 10" CAST ALUM.	1

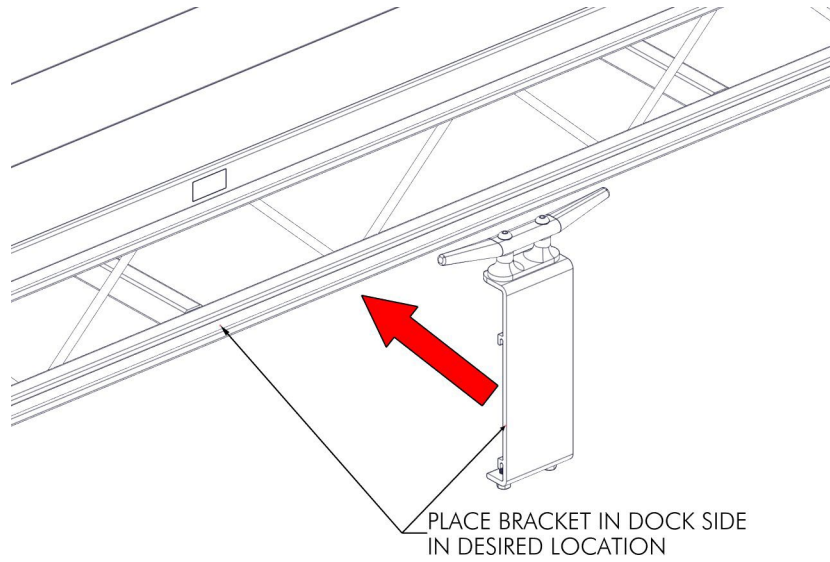


TOOLS REQUIRED

- 9/16" SOCKET
- TORQUE WRENCH

INSTALLATION

PLACE BRACKET INTO DOCK SIDE IN DESIRED LOCATION



TIGHTEN THE (2) 3/8-16 X 1" BOLTS IN BOTTOM OF THE BRACKET. TORQUE TO 6 FT-LBS MAX.

