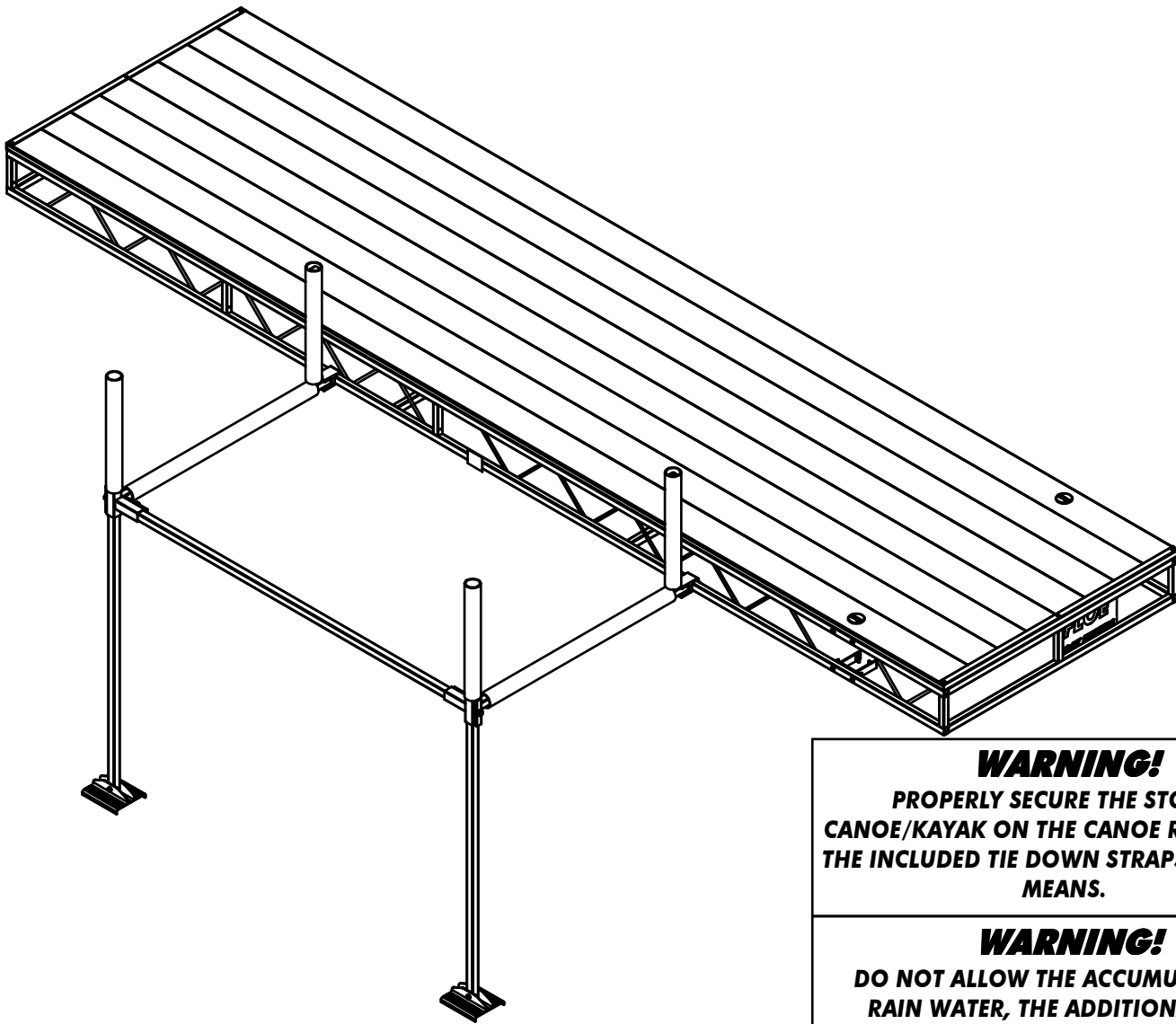


# FLOE CANOE RACK

## FOR ROLL-IN DOCKS

### ASSEMBLY INSTRUCTIONS

KIT P/N 510-41500-00



DOCK NOT INCLUDED

MAXIMUM RECOMMENDED  
WATER DEPTH 44"

MAXIMUM WEIGHT  
LIMIT 250 LBS.

#### TOOLS REQUIRED

- (1) 3/4" WRENCH OR SOCKET
- (2) 9/16" WRENCHES OR SOCKETS
- LEVEL
- TORQUE WRENCH

#### **WARNING!**

**PROPERLY SECURE THE STOWED CANOE/KAYAK ON THE CANOE RACK USING THE INCLUDED TIE DOWN STRAPS OR OTHER MEANS.**

#### **WARNING!**

**DO NOT ALLOW THE ACCUMULATION OF RAIN WATER, THE ADDITIONAL WATER WEIGHT MAY CAUSE THE MAXIMUM WEIGHT CAPACITY TO BE EXCEEDED.**

#### **WARNING!**

**THIS CANOE RACK WAS DESIGNED FOR THE PURPOSE OF STOWING A CANOE/KAYAK. NEVER ALLOW ANYONE ON OR UNDER THIS SYSTEM.**

**FAILURE TO OBSERVE ANY OF THE WARNINGS COULD RESULT IN PRODUCT/PROPERTY DAMAGE AND/OR CAUSE SERIOUS INJURY OR POTENTIAL DEATH.**

# Want the best? Go with the FLOE!

INSTRUCTION P/N 610-41500-00  
ISSUED: 10/29/19

SHEET 1 OF 4

© Floe International, Inc.  
48473 State Hwy. 65  
McGregor, MN 55760  
All rights reserved

# FLOE CANOE RACK

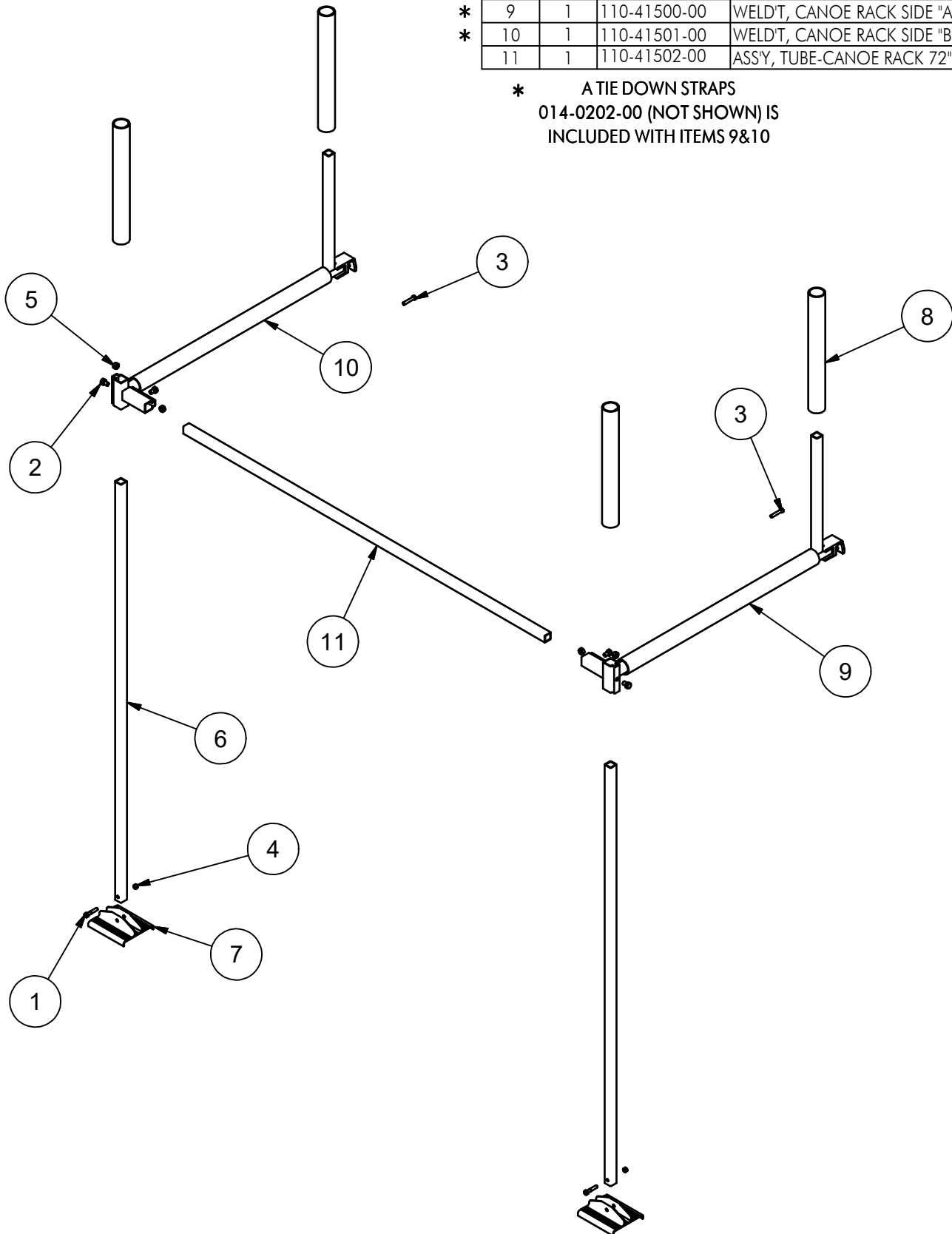
## FOR ROLL-IN DOCKS

### EXPLODED VIEW AND BOM

KIT P/N 510-41500-00

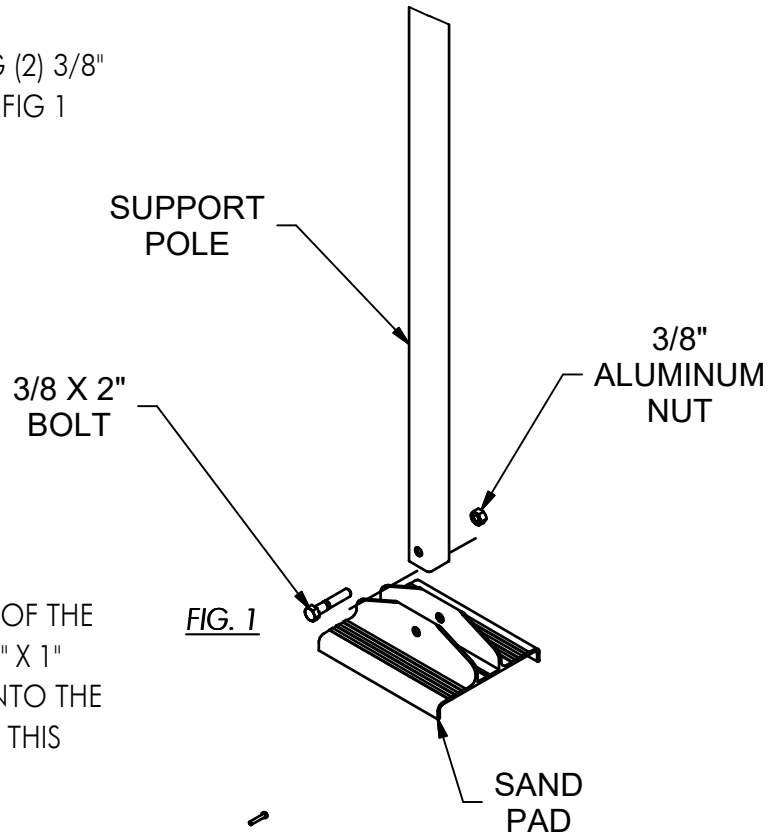
ITEM	QTY	PART NUMBER	DESCRIPTION
1	2	001-70111-00	HHCS, 3/8-16 x 2" SS
2	4	001-70205-00	HHCS, 1/2-13 x 1" SS
3	2	001-71189-00	HHCS, 3/8-16 X 2" SS FULL THREAD
4	2	001-76349-00	NUT, 3/8-16 ALUM
5	4	001-76350-00	NUT, 1/2-13 ALUM
6	2	002-02065-000	POLE, DOCK SUPPORT - 72"
7	2	002-02072-00	DOCK SUPPORT PAD
8	4	011-01704-00	PIPE, 2" SCHED.40 PVC X 20"
*	9	110-41500-00	WELD'T, CANOE RACK SIDE "A"
*	10	110-41501-00	WELD'T, CANOE RACK SIDE "B"
11	1	110-41502-00	ASS'Y, TUBE-CANOE RACK 72"

\* A TIE DOWN STRAPS  
014-0202-00 (NOT SHOWN) IS  
INCLUDED WITH ITEMS 9&10



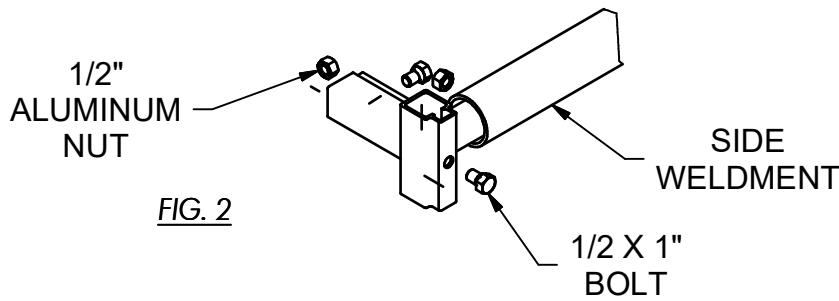
## STEP 1

- ATTACH THE SAND PADS TO THE SUPPORT POLES USING (2) 3/8" X 2" BOLTS AND (2) 3/8" ALUMINUM NUTS. AS SHOWN IN FIG 1 TORQUE TO 20 FT/LBS.



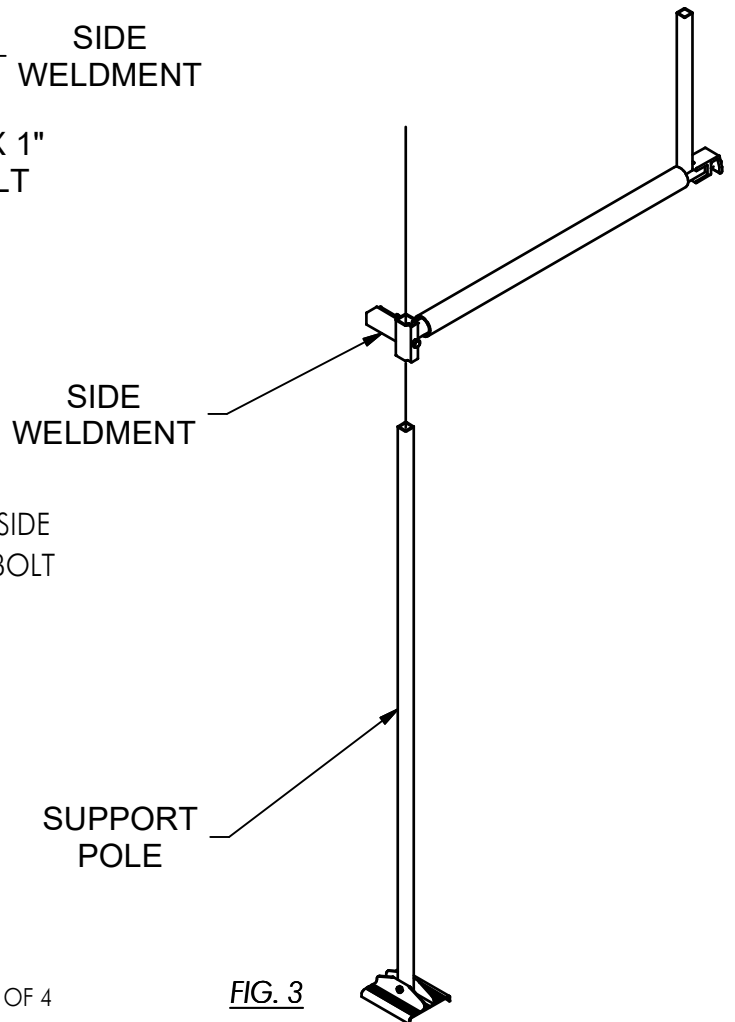
## STEP 2

- PLACE (4) 1/2" ALUMINUM NUTS INTO THE NUT TRACKS OF THE CANOE RACK SIDE WELDMENTS A & B AND INSERT (4) 1/2" X 1" BOLTS IN THROUGH THE HOLES IN THE BRACKETS AND INTO THE ALUMINUM NUT SHOWN IN FIG. 2. DO NOT TIGHTEN AT THIS TIME.



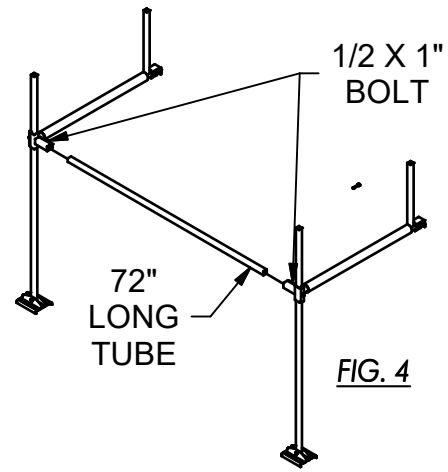
## STEP 3

- INSERT THE SUPPORT POLES THROUGH THE CANOE RACK SIDE WELDMENTS A & B AS SHOWN IN FIG. 3 AND SNUG THE 1" BOLT TO HOLD THEM IN PLACE. DO NOT TIGHTEN AT THIS TIME.



## STEP 4

- INSERT THE 72" LONG TUBE A FULL 4-1/2" INTO THE HORIZONTAL CLAMP TUBE OF THE SIDE WELDMENTS CONNECTING THE TWO AND TIGHTEN THE 1/2 X 1" BOLT SHOWN IN FIG.4.  
TORQUE TO 45 FT/LBS.



## STEP 5A

- PLACE THE SAFETY QUICK CONNECTS OVER THE BOTTOM RAIL OF THE DOCK AND TIGHTEN THE WEDGE SAFETY BOLTS. LEVEL THE CANOE RACK BY ADJUSTING THE SUPPORT POLES. LOOSEN THE 1/2 X 1" SET BOLT AND MOVE EITHER UP OR DOWN UNTIL LEVEL. TORQUE TO 45 FT/LBS. AS SHOWN IN FIG. 5.

## STEP 5B

- SLIDE THE (4) 20" LONG PIECES OF PVC OVER THE 1-1/4" TUBES OF THE SUPPORT POLES AND SIDE WELDMENTS AS SHOWN IN FIG. 5.

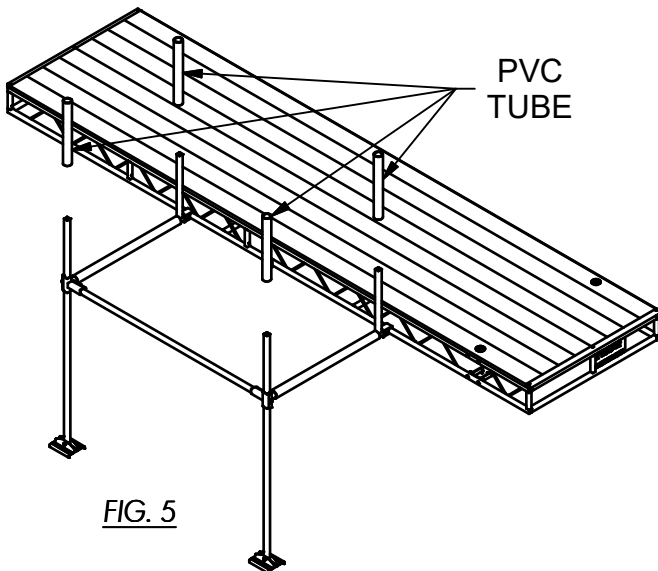
**NOTE:** IN CASES WHERE THE CANOE RACK IS INSTALLED IN SHALLOW WATER, THE SUPPORT TUBES MAY BE CUT DOWN. IF CUTTING IS REQUIRED, DO NOT ALLOW THE ALUMINUM TUBE TO PROTRUDE PAST THE TOP OF THE PVC .

### **WARNING!**

IF SUPPORT TUBES ARE SHORTENED, ALL SHARP EDGES MUST BE REMOVED. FAILURE TO DO SO COULD LEAD TO CUTS AND/OR SERIOUS INJURY.

## STEP 6

- USE OF THE TIE DOWN STRAPS. ONCE THE CANOE IS ON THE RACK (PLACING THE CANOE UPSIDE DOWN ON THE RACK PREVENTS WATER FROM FILLING UP THE BOAT). PULL THE TIE DOWN STRAPS AROUND THE CANOE AND BUCKLE THEM TOGETHER. REMOVE THE SLACK FROM THE STRAPS THE BY PULLING ON THE TAIL OF THE STRAP UNTIL SNUG AROUND THE CANOE. STOW THE ENDS OF THE TIE DOWN STRAPS WHEN NOT IN USE BY TUCKING THEM INTO THE TOPS OF THE PVC TUBES.



### **WARNING!**

THIS CANOE RACK WAS DESIGNED FOR THE PURPOSE OF STOWING A CANOE/KAYAK. NEVER ALLOW ANYONE ON OR UNDER THIS SYSTEM.

### **WARNING!**

PROPERLY SECURE THE STOWED CANOE/KAYAK ON THE CANOE RACK USING THE INCLUDED TIE DOWN STRAPS OR OTHER MEANS.

### **WARNING!**

DO NOT ALLOW THE ACCUMULATION OF RAIN WATER, THE ADDITIONAL WATER WEIGHT MAY CAUSE THE MAXIMUM WEIGHT CAPACITY TO BE EXCEEDED.

**FAILURE TO OBSERVE ANY OF THE WARNINGS COULD RESULT IN PRODUCT/PROPERTY DAMAGE AND/OR CAUSE SERIOUS INJURY OR POTENTIAL DEATH.**