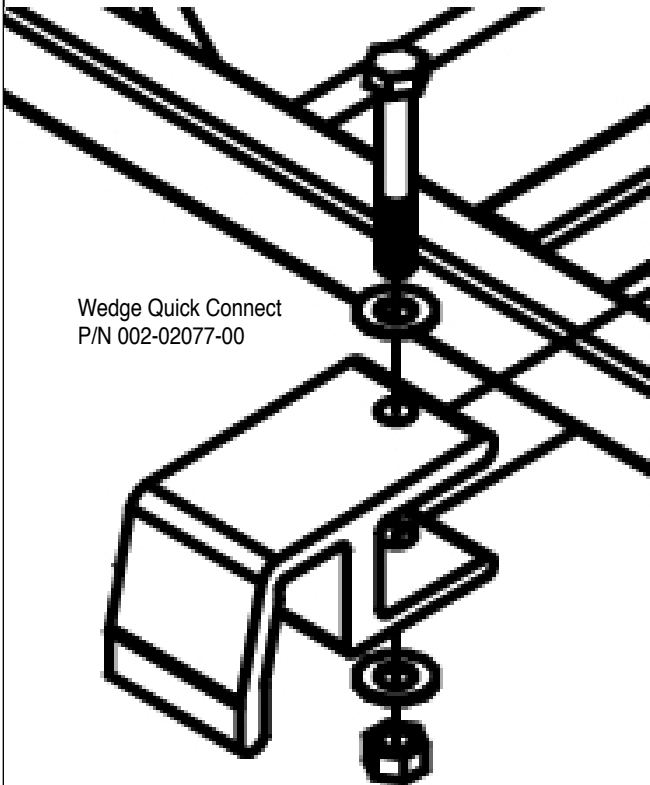
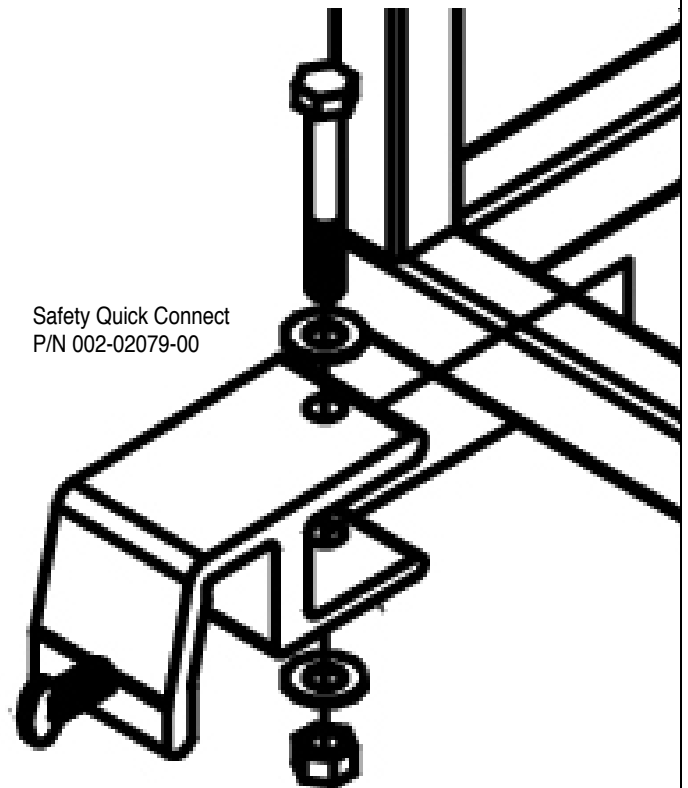


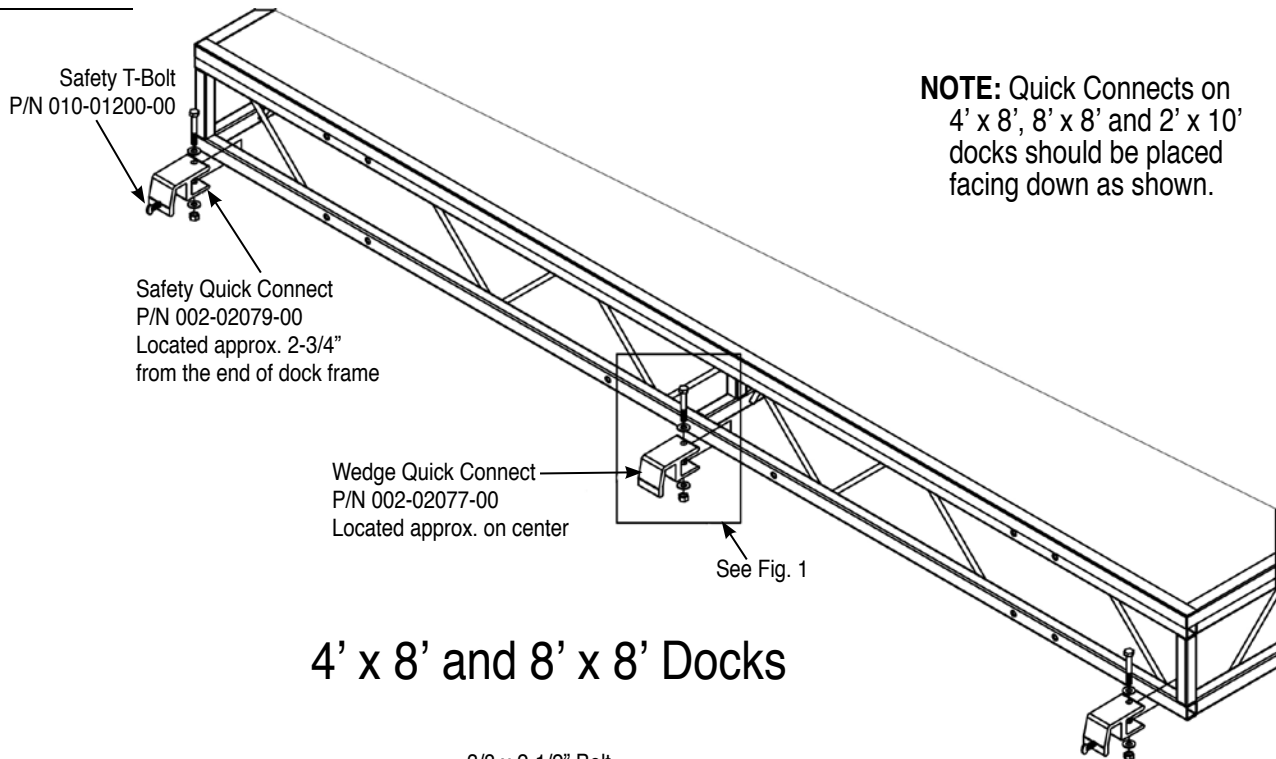
SAFETY FOR
QUICK CONNECT ASSEMBLY INSTRUCTIONS
4' x 8', 8' x 8' and 2' x 10' Docks



Wedge Quick Connect
P/N 002-02077-00

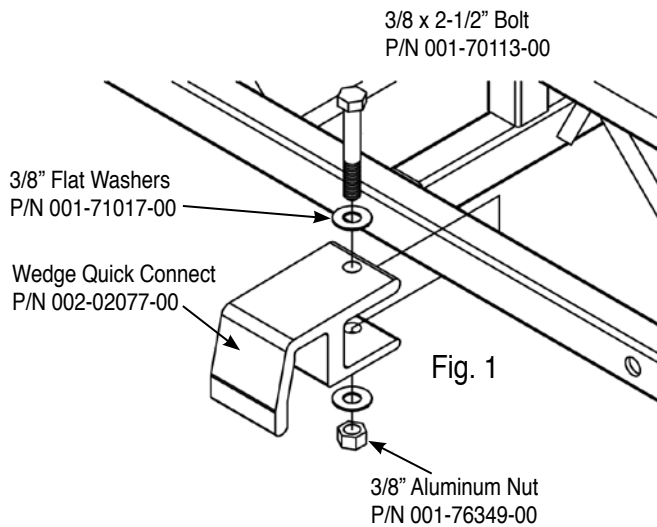


Safety Quick Connect
P/N 002-02079-00



NOTE: Quick Connects on 4' x 8', 8' x 8' and 2' x 10' docks should be placed facing down as shown.

4' x 8' and 8' x 8' Docks



- Attach quick connects as shown. Center Quick Connects on decals on the 2' x 10' docks. Attach using the 2-1/2" bolt, nut, and flat washer provided.

- Note: The 2' x 10' Dock uses (2) Safety Quick Connects only. The 4' x 8 and 8' x 8' uses (2) Safety Quick Connects, and (1) Wedge Quick Connect.

- Position Quick Connect so it doesn't interfere with webbing on docks.

- Slide Quick Connect to widest portion of dock until it hits upright and move back 1/8" so it isn't touching the webbing.

- Square Quick Connects to dock frame before tightening 2-1/2" bolt for ease of fit to next section.

2' x 10' Dock

