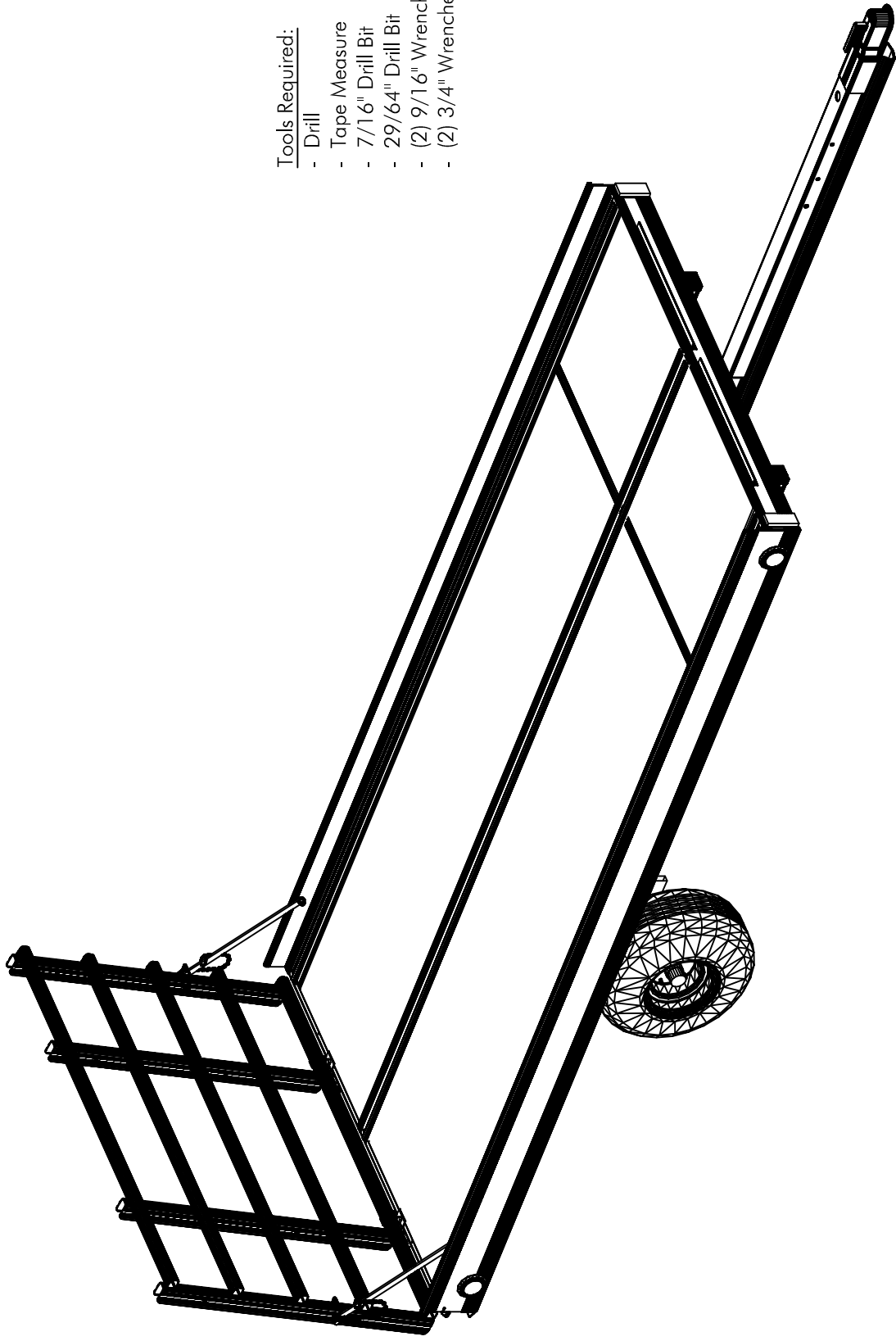


# FLOE 54" WIDE TILT TRAILER RAMP

P/N: 549-00514-00

ASSEMBLY INSTRUCTIONS



Tools Required:

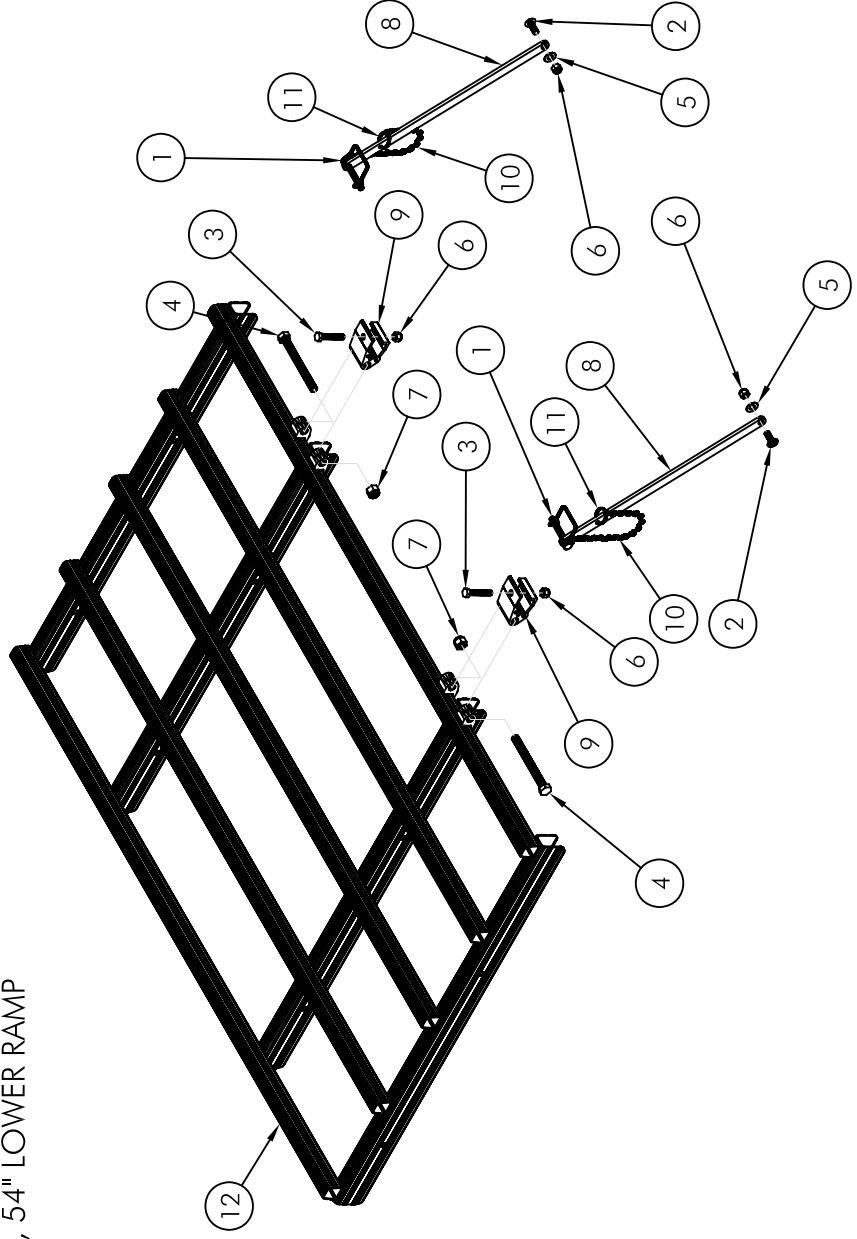
- Drill
- Tape Measure
- 7/16" Drill Bit
- 29/64" Drill Bit
- (2) 9/16" Wrenches or Sockets
- (2) 3/4" Wrenches or Sockets



Manufactured by:  
Floe International, Inc.  
48473 State Hwy. 65  
McGregor, MN 55760  
[www.flointl.com](http://www.flointl.com)

# 54" WIDE TILT TRAILER RAMP EXPLODED VIEW

ITEM	QTY.	PART NO.	DESCRIPTION
1	2	001-26727-00	PIN, SAFETY SNAP - 3/8" x 2 1/4"
2	2	001-74436-00	CB, 3/8-16 x 1" 18-8 SS
3	2	001-70111-00	HHCS, 3/8-16 x 2" 18-8 SS
4	2	001-70223-00	HHCS, 1/2-13 x 5" 18-8 SS
5	2	001-71017-00	FLATWASHER, 3/8" SAE SS 18-8
6	4	001-76071-00	NUT, NYLOCK 3/8-16 ALUMINUM
7	2	001-76072-00	NUT, NYLOCK 1/2-13 ALUMINUM
8	2	002-01666-00	BRACE, SIDE - 2' REAR GATE
9	2	002-09052-00	HINGE, 2" UNIVERSAL
10	1	004-03800-00	CHAIN, SINGLE JACK #12 SS
11	2	009-02700-00	KEY RING SS
12	1	149-00511-00	WELDMENT, 54" LOWER RAMP



# ***INSTALLATION INSTRUCTIONS:***

## **Step 1**

SLIDE RAMP UNTO BACK RAIL OF TRAILER. ALIGN CENTER OF THE RAMP WITH CENTER OF TRAILER. MARK THE CENTERS OF THE HOLES FOR THE HINGE MOUNTING HOLES. REMOVE RAMP AND DRILL (2) 7/16" Ø HOLES THROUGH JUST THE TOP RAIL OF THE BACK RAIL OF THE TRAILER. SLIDE THE RAMP BACK ON THE AND ATTACH WITH (2) 3/8 x 2" BOLTS W/ (2) NYLOCK NUTS

## **Step 2**

DRILL (1) 29/64" Ø THRU EACH SIDE OF THE TRAILER FOR THE SIDE BRACES 1" FROM THE TOP OF THE TRAILER SIDE AND 11 7/8" FROM THE BACK. SEE FIG. 1 FOR HOLE LOCATION. FASTEN BRACE W/(1) 3/8 x 1" CARRIAGE BOLT, 3/8" FLATWASHER & (1) 3/8" NYLOCK. REPEAT PROCEDURE ON OTHER SIDE OF TRAILER. RAISE THE RAMP UNTIL THE HOLE IN THE RAMP LINES UP WITH THE HOLE IN THE BRACE & INSERT THE PIN INCLUDED WITH SIDE BRACE.

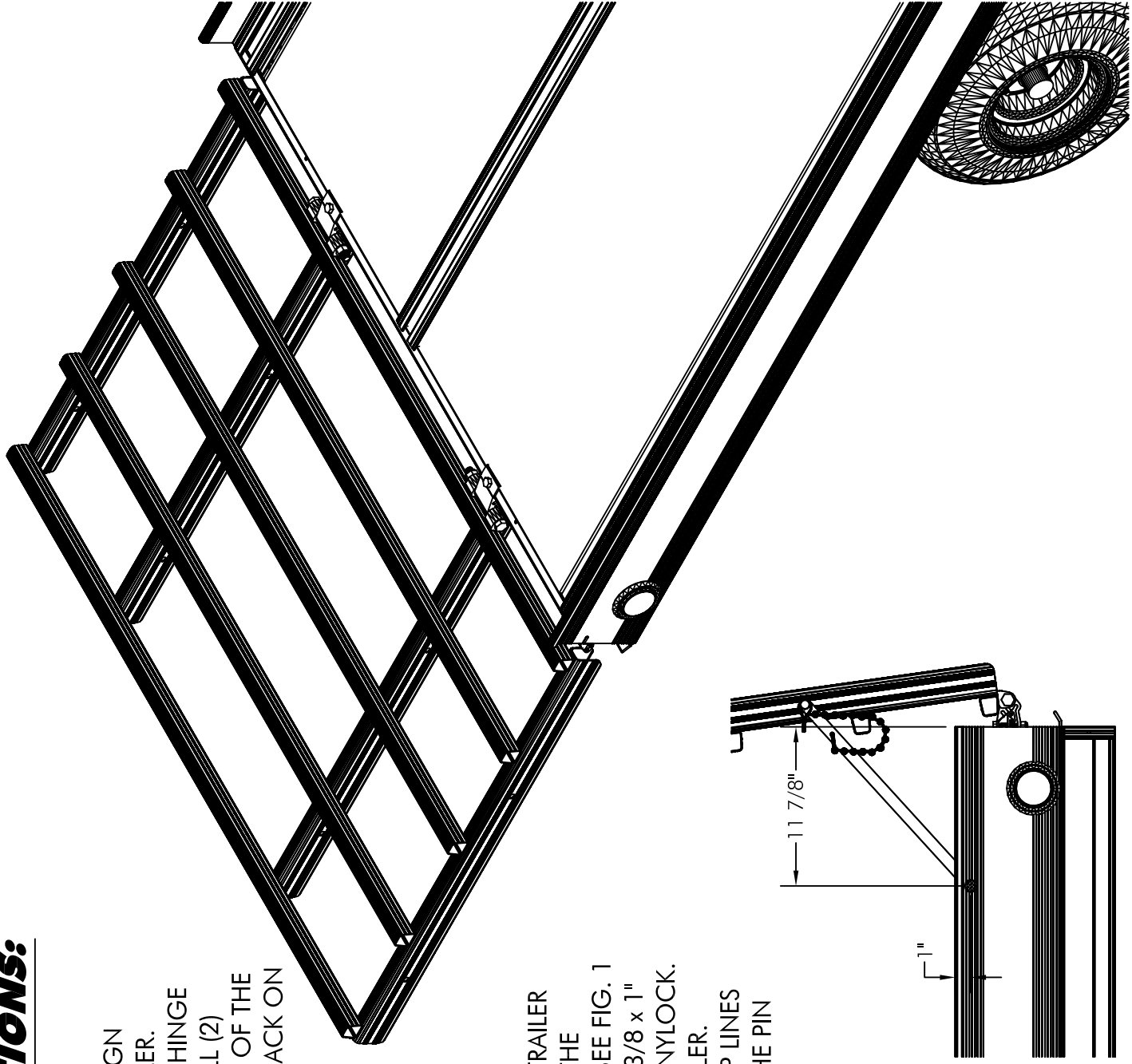


Fig. 1