

FLOE 24V OUTSIDE LIGHT KIT

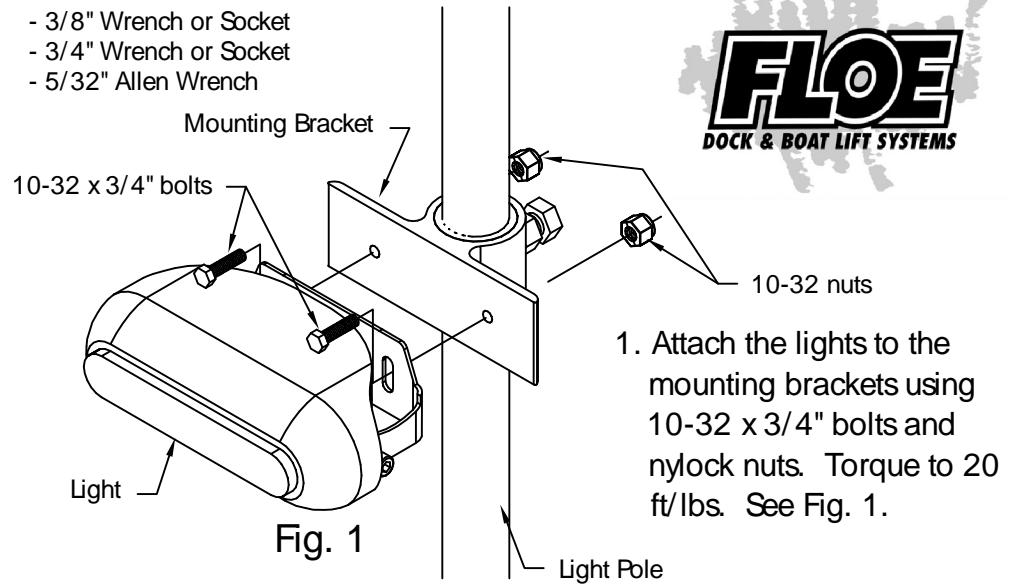
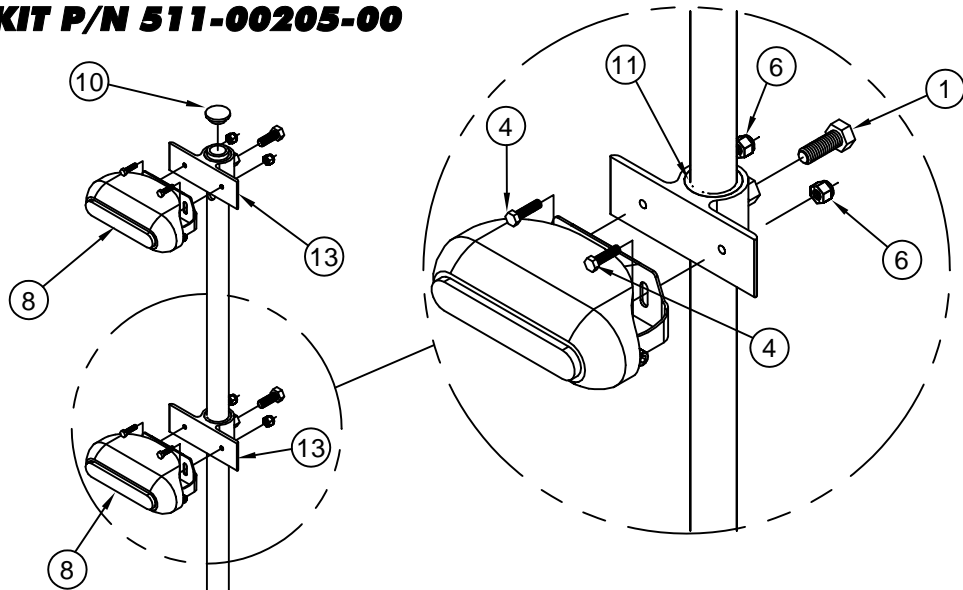
ASSEMBLY INSTRUCTIONS

KIT P/N 511-00205-00



Tools Required:

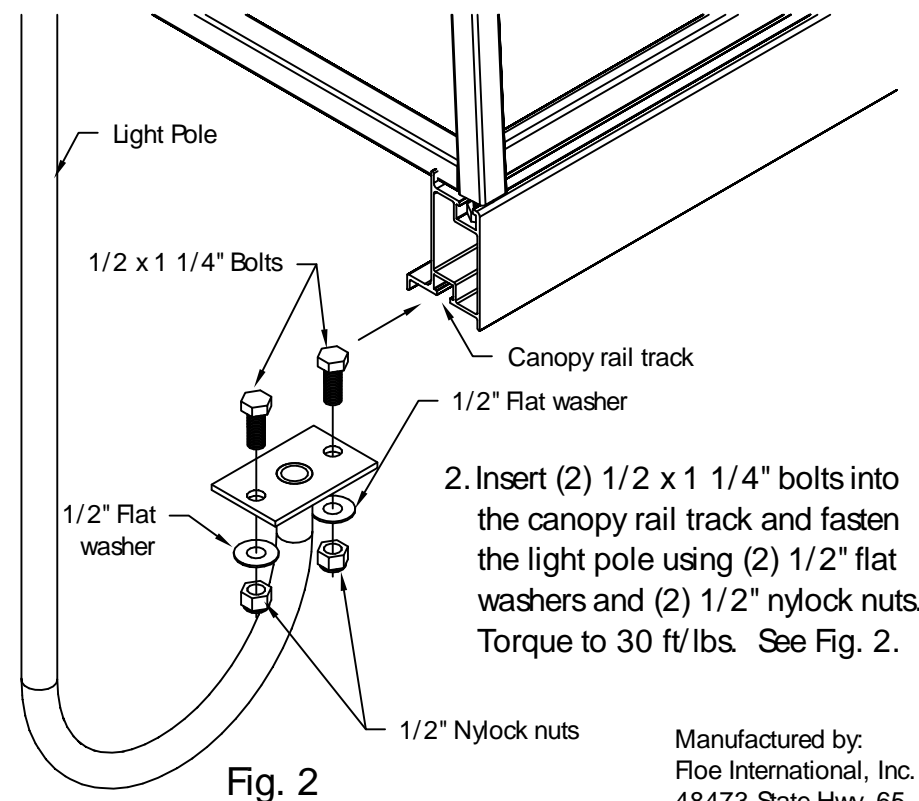
- 3/8" Wrench or Socket
- 3/4" Wrench or Socket
- 5/32" Allen Wrench



1. Attach the lights to the mounting brackets using 10-32 x 3/4" bolts and nylock nuts. Torque to 20 ft/lbs. See Fig. 1.

Fig. 1

1	001-70103-00	2	HHCS, 3/8-16 x 3/4" 18-8 ss
2	001-70207-00	2	HHCS, 1/2-13 x 1 1/4" 18-8 ss
3	001-71021-00	2	FLAT WASHER, 1/2" 18-8 ss
4	001-72534-00	4	HHCS, 10-32 x 3/4" 18-8 ss
5	001-76072-00	2	NUT, NYLOCK 1/2-13 ALUMINUM
6	001-76073-00	4	NUT, NYLOCK 10-32 ALUMINUM
7	003-05700-00	2	BULLET, MALE 16-14 GA. BLUE
8	007-05109-00	2	LIGHT
9	007-05113-00	55'	WIRE, 14 GA.
10	007-05125-00	1	CAP, MAST LIGHT
11	010-00023-00	2	BUSHING, 1 1/2"
12	014-02310-00	5yd	VELCRO, 1/2" DOUBLE SIDE
13	111-00208-00	2	LIGHT MOUNTING CLAMP
14	111-00209-00	1	LIGHT MAST WELDMENT



2. Insert (2) 1/2 x 1 1/4" bolts into the canopy rail track and fasten the light pole using (2) 1/2" flat washers and (2) 1/2" nylock nuts. Torque to 30 ft/lbs. See Fig. 2.

Fig. 2

FLOE 24V OUTSIDE LIGHT KIT

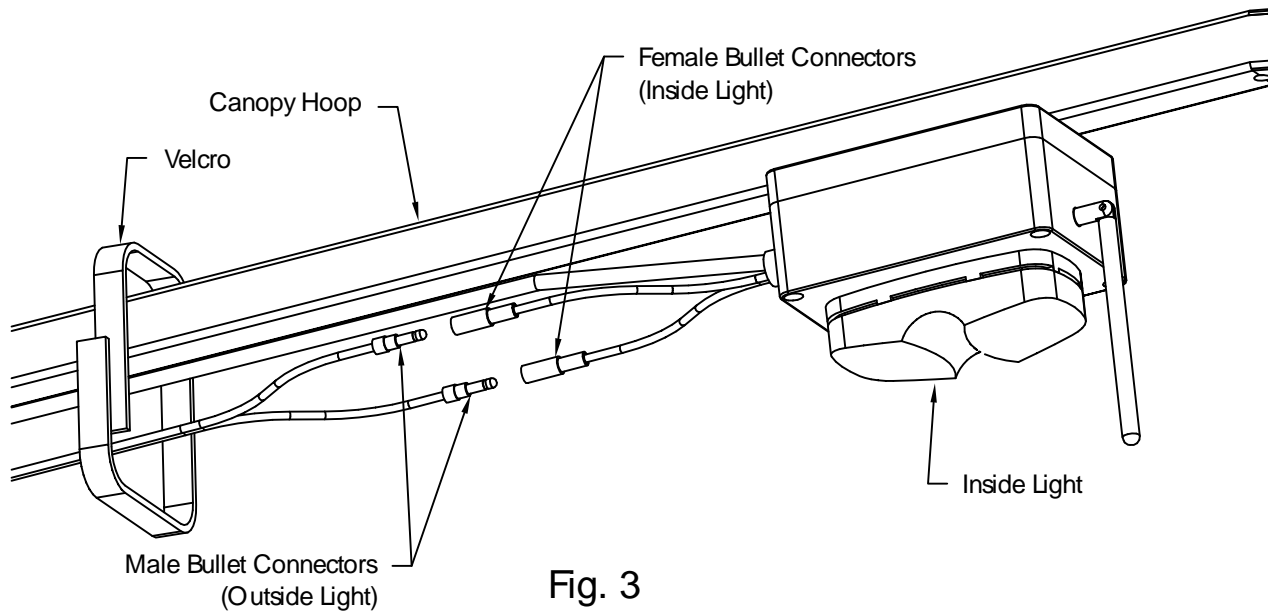


Fig. 3

3. Run the wire from the outside light post along the canopy rail and up the canopy hoop where the inside light is attached. Cut the Velcro to lengths needed to secure the wire to the canopy rail and hoop. Connect the male bullet ends of the outside light wire to the female ends on the inside light as shown in Fig. 3. Coil any excess wire and secure to the frame with Velcro.

4. The direction of the lights can be adjusted by loosening the 3/8 x 3/4" bolt on the mounting clamp. Rotate the light on the light pole to desired location and re-tighten bolt. The angle of the light can also be adjusted by loosening the adjustments screws on the sides of the lights. Once the angle of the light is set, re-tighten adjustment screws. See Fig. 4.

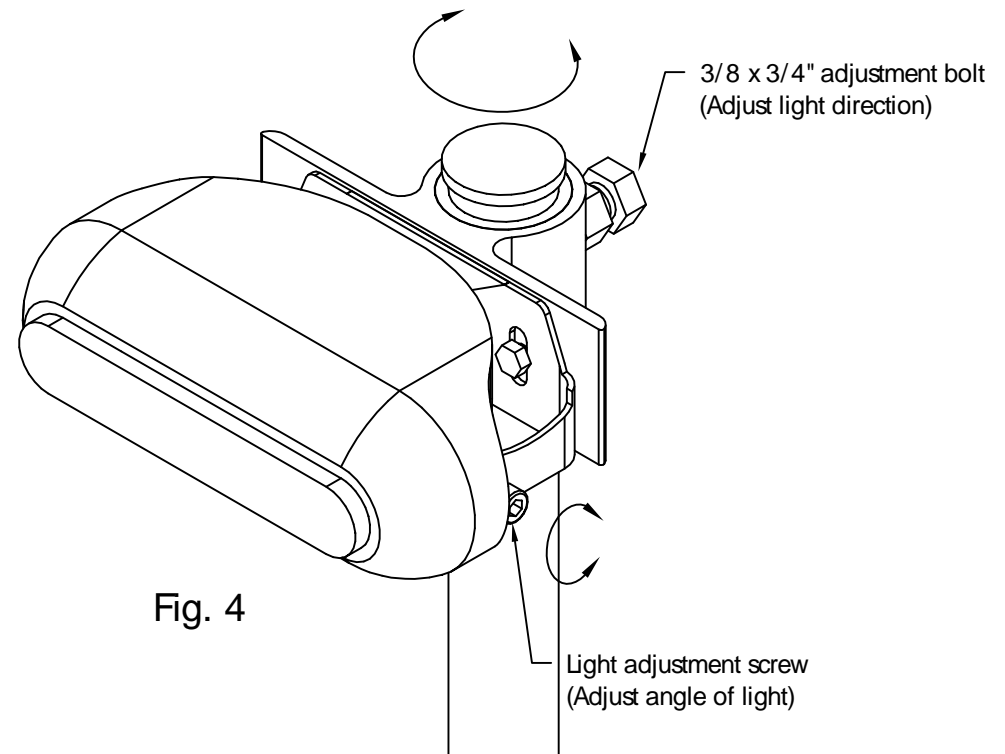


Fig. 4