

FLOE FLAG POLE

ASSEMBLY INSTRUCTIONS

P/N 510-00200-00

FOR FLOATING, SECTIONAL AND ROLL-IN DOCKS



! WARNING
STAY OFF DOCK DURING LIGHTNING STORMS.

! WARNING
KEEP FLAGPOLE AWAY FROM POWER LINES TO AVOID ELECTROCUTION.

! WARNING
MULTIPLE PINCH POINTS KEEP HANDS & FEET CLEAR OF ALL MOVING PARTS DURING ASSEMBLY & INSTALLATION.



FLAG NOT INCLUDED.

FOR INFORMATION ON USA FLAG ETIQUETTE REFER TO:
www.usflag.org

FOR INFORMATION ON CANADA FLAG ETIQUETTE REFER TO:
<http://www.canadianheritage.gc.ca/pgm/ceem-cced/etiqt/index-eng.cfm>

MINIMUM WATER DEPTH 48"
MAXIMUM WATER DEPTH 60"
WITH THE AUGER DRIVEN 12"
INTO THE LAKE BOTTOM
AND THE DECK HEIGHT
16" ABOVE THE WATER

TOOLS REQUIRED

- 9/16" SOCKET
- 9/16" WRENCH
- 3/32" ALLEN WRENCH
- TORQUE WRENCH
- TAPE MEASURE
- FRAMING SQUARE
- CENTER PUNCH
- DRILL AND 13/32" BIT

REQUIRED FOR ATTACHING TO A SECTIONAL DOCK.

INSTRUCTION P/N 610-00200-00

ISSUED: 07/23/13

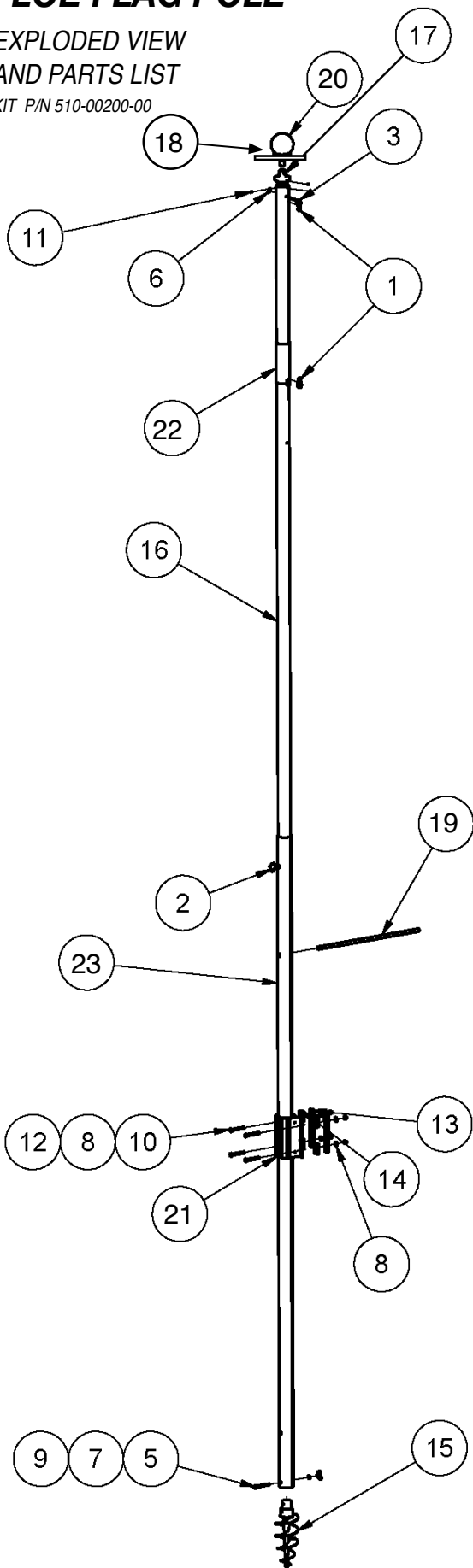
Rev: 3/18

©Floe International, Inc.
48473 State Hwy. 65
McGregor, MN 55760
www.floeintl.com
All rights reserved.

FLOE FLAG POLE

EXPLODED VIEW
AND PARTS LIST

KIT P/N 510-00200-00



Item	Part No.	Qty	Description
1	001-03521-00	2	Clip, Spring 3/16" SS
2	001-70000-00	1	Soft Grip Knob, 1/2-13 x 1-1/4"
3	001-43489-00	1	Bolt, Eye 3/16" x 3" SS
4	001-70105-00	1	HHCS 3/8-16 x 1" SS
5	001-70116-00	1	HHCS 3/8-16 x 3 1/4" SS
6	001-70907-00	1	Nut, Wing 10-24 SS
7	001-70912-00	1	Nut, Wing 3/8-16" SS
8	001-71017-00	4	Flat Washer, 18-8 SS
9	001-71067-00	1	Lock Washer, 18-8 SS
10	001-71191-00	4	HHCS 3/8-16 x 3" Full Thread SS
11	001-73247-00	2	SSS CP 10-32 x 3/8" SS
12	001-76071-00	4	Nut, Nylock 3/8-16" ALUM.
13	002-02203-00	2	Plate, Dock Accessory
14	002-02204-00	4	Spacer, Dock Accessory
15	002-02523-00	1	Auger, 13.5" Screw
16	002-12509-01	1	Flag Pole, Upper 12' Telescopic
17	002-12514-00	1	Topper, Flag Pole
18	003-50000-00	1	Light, Solar Flag Pole
19	006-22601-00	1	Crank Rod - Guide Post
20	010-00021-00	1	Globe, Flag Pole 3" w/1/2"-13 stem
21	110-12501-00	1	ASS'Y, Flag Pole Bracket
22	110-12502-01	1	WELD'T, Flag Pole Weight
23	110-12507-00	1	ASS'Y, Flag Pole - Lower

STEP 1A

- Install the eye-bolt in the top hole of the upper pole and secure with wing nut.
(Fig.1a) For half-staff use the hole 52" down from the top.

Fig. 1a

- Attach the flag pole topper to the top pole using (2) 10-32 x 3/8" ss set screws.
- Place solar light into topper.
- Screw globe into flag pole topper

IMPORTANT!!! Do not over-tighten. Over-tightening may cause damage to the light.

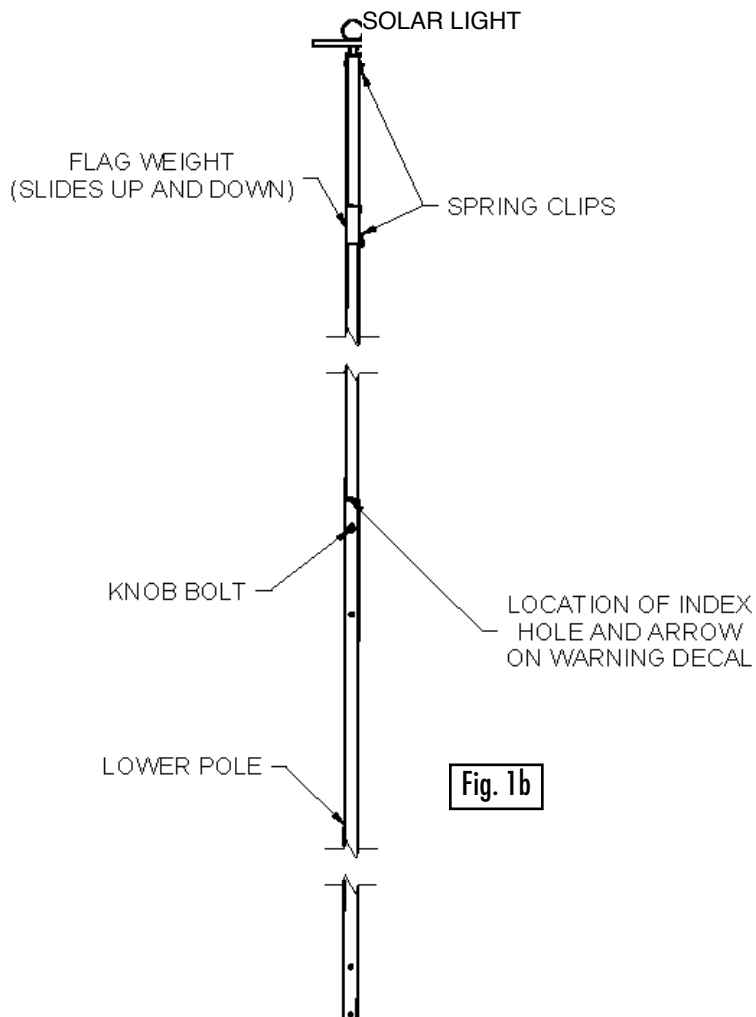
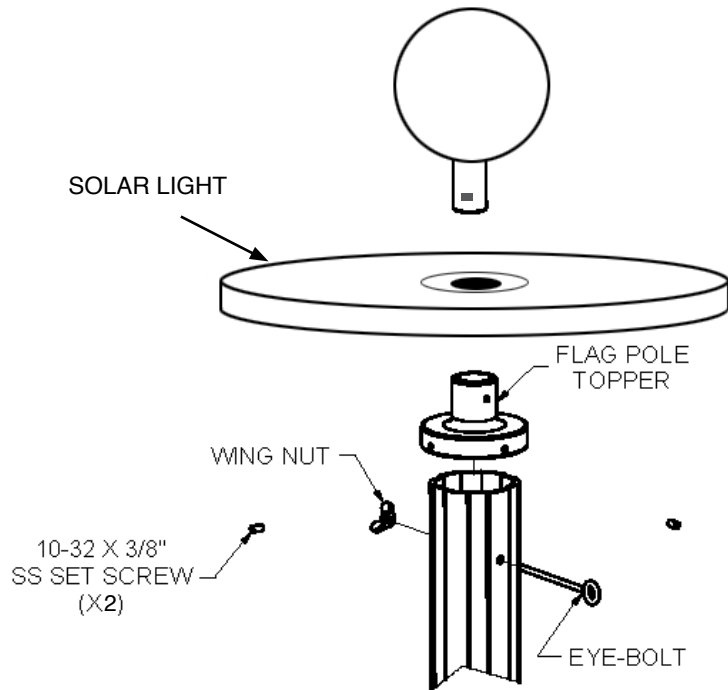


Fig. 1b

STEP 1B

- Align the mounting tab on the weight in line with the eye-bolt on the upper pole.
- Slide the flag weight from the bottom over the upper pole.
- Insert the upper pole into the base pole, aligning the index hole in the upper pole with the arrow on the warning decal on the lower pole.
- With the assembly in the retracted position, insert the knob bolt and tighten.
- Attach the spring clips to the tabs.
(Shown in Fig. 1b)

! WARNING
MULTIPLE PINCH POINTS KEEP HANDS & FEET CLEAR OF ALL MOVING PARTS DURING ASSEMBLY & INSTALLATION.

STEP 2

- Attach the auger using the 3/8" x 3-1/4" bolt, lock washer, and wing nut. Shown in Fig. 2

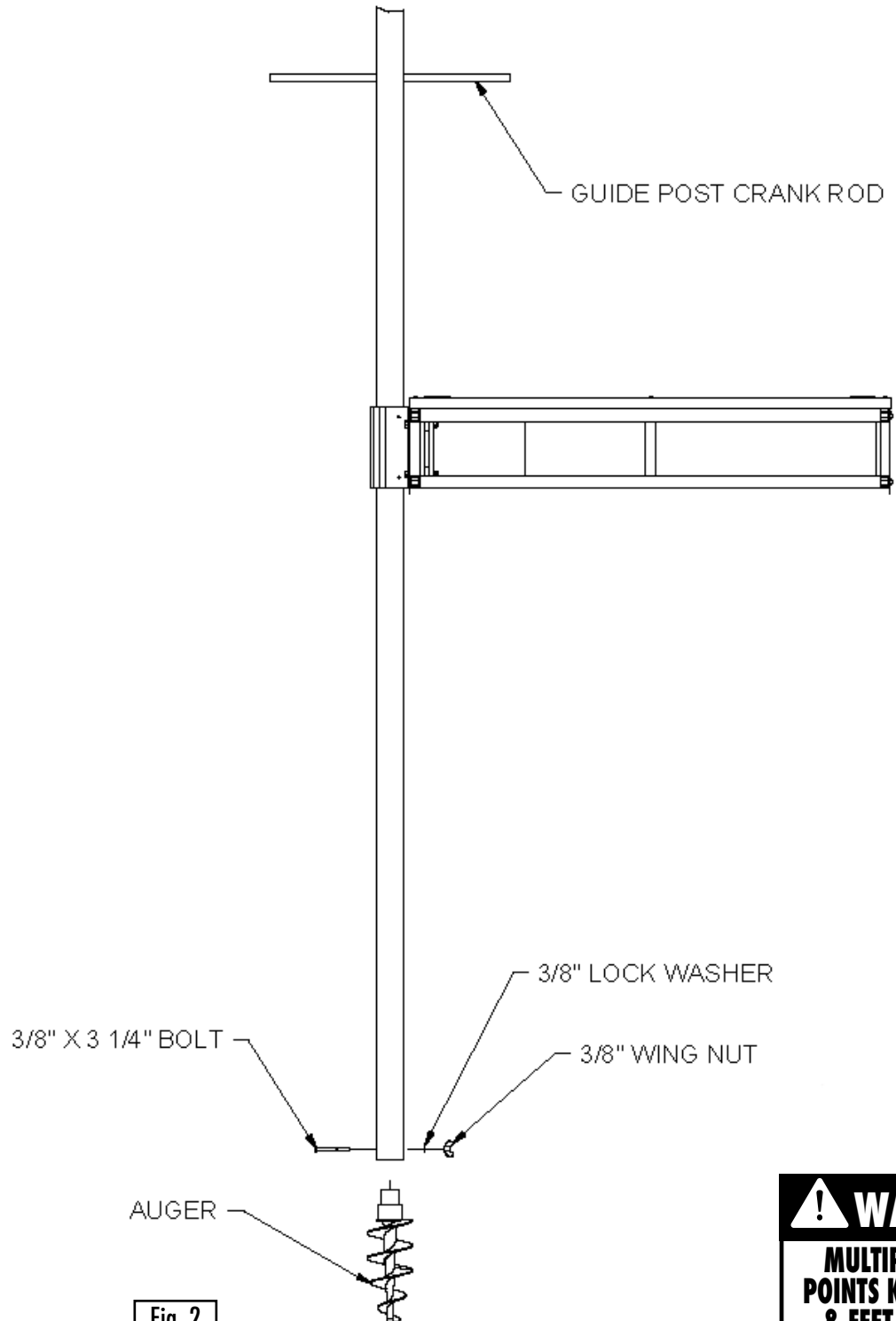


Fig. 2

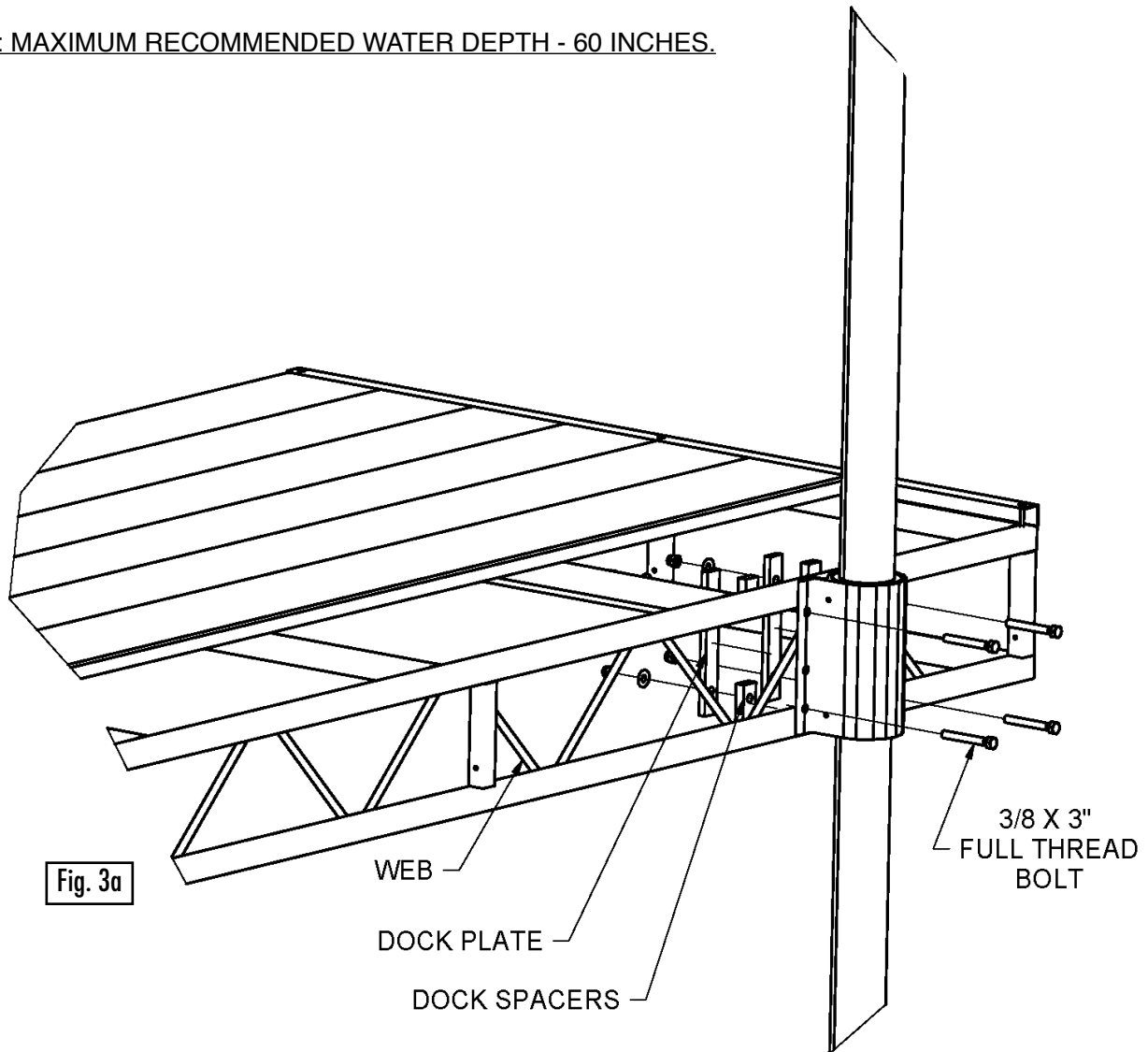
! WARNING
**MULTIPLE PINCH
POINTS KEEP HANDS
& FEET CLEAR OF
ALL MOVING PARTS
DURING ASSEMBLY
& INSTALLATION.**

STEP 3

- Stand the flag pole upright and place bracket around pole.
- Attach the flag pole bracket to the side of a:
 - Roll-in Dock or a Sectional Dock using the (4) 3/8 x 3" full thread bolts, (4) 3/8 flat washers, and (4) 3/8 nylock nuts
 - Floating Dock using (4) 3/8 x 1" bolts, (4) 3/8" flat washers, and (4) 3/8" nylock nuts.

(Shown in Fig. 3a, 3b, and 3c)

NOTE: MAXIMUM RECOMMENDED WATER DEPTH - 60 INCHES.

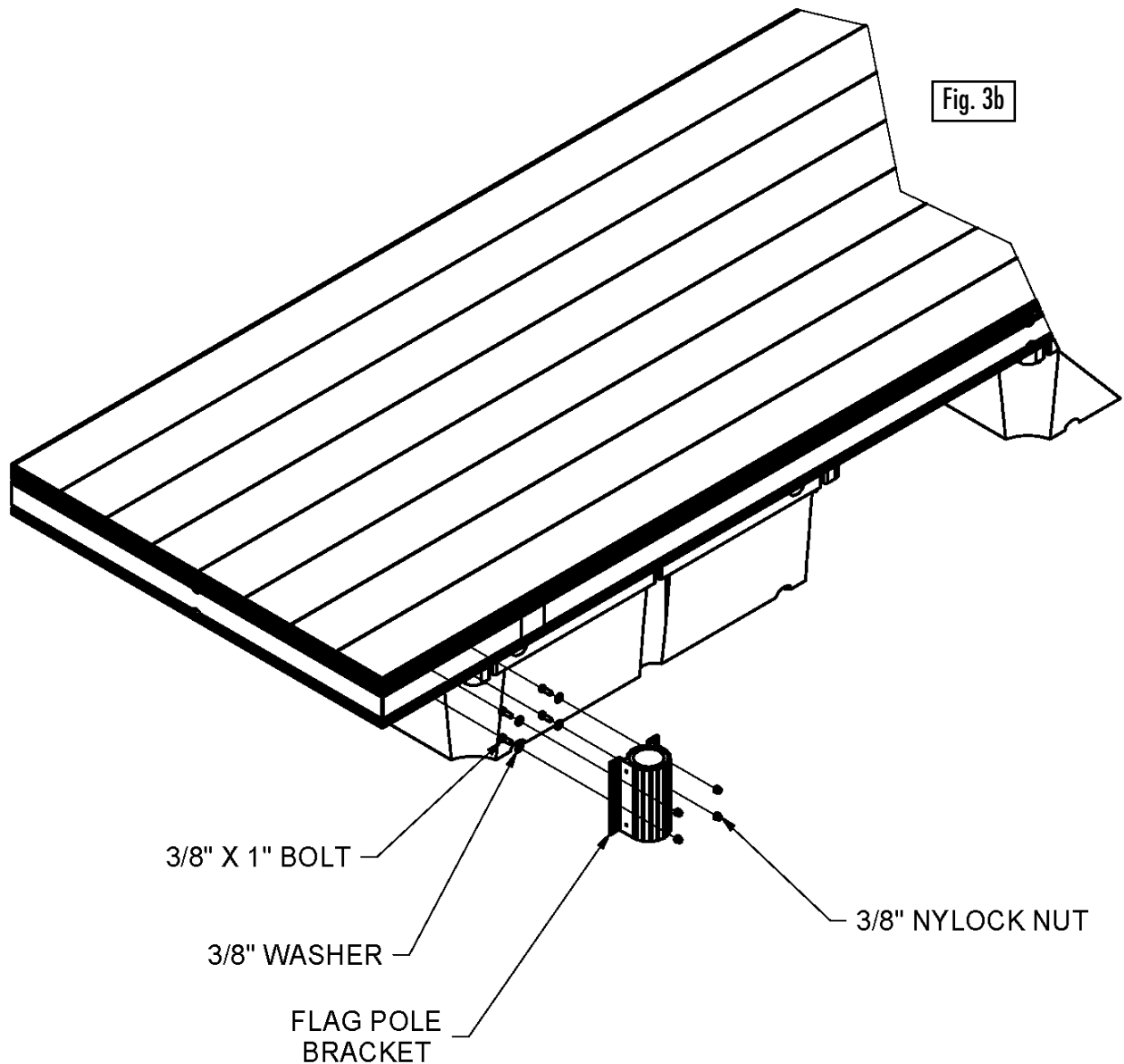


STEP 3a....ROLL-IN DOCK

- Insert the 3/8 x 3" full thread bolts through the bracket, dock spacer, and dock plate.
- Note if the bolt is close to webbing on the dock, do not add the spacer. The webbing acts as the spacer.
- Place a flat washer over each of the (4) bolts and secure with the (4) 3/8 nylock nuts.
- Make sure top of bracket is parallel to top frame of dock.
- Torque to 20 ft/lbs. (Shown in Fig. 3a).

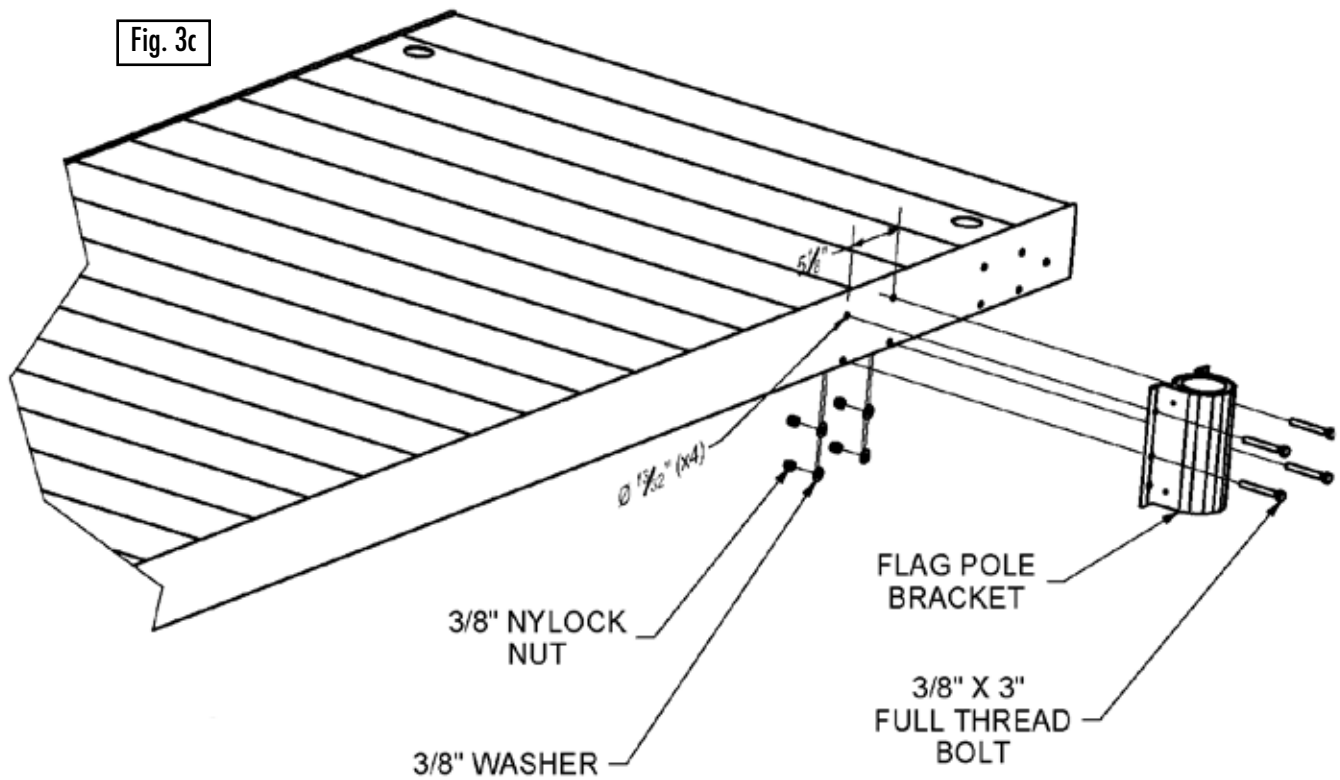
STEP 3b....FLOATING DOCK

- Place a flat washer over each of the (4) 3/8 x 1" bolts
- Insert the hex head and flat washer into the nut track: two in top track and two in the bottom track of the dock side panel and slide them into position.
- Place the bracket over the (4) bolts
- Secure with (4) 3/8 nylock nuts.
- Torque to 20 ft/lbs. (Shown in Fig. 3b).



STEP 3c...SECTIONAL DOCK

- For attachment to a sectional dock, mounting holes must be drilled using a 13/32" drill bit.
- Using a framing square, mark a vertical line across the top and bottom serration (these serrations are 3" apart and are intended to act as a hole spacing reference).
- Mark a line for the second set of holes 5 1/8" from the first.
- Insert the 3/8 x 3" full thread bolts through the bracket and dock frame.
- Place a flat washer over each of the (4) bolts and secure with the (4) 3/8 nylock nuts.
- Torque to 20 ft/lbs. (Shown in Fig. 3c).



STEP 4

- Place the crank rod in the upper large hole and turn clockwise
- Drive the auger into the lake bottom 12". (Shown in Fig. 4)

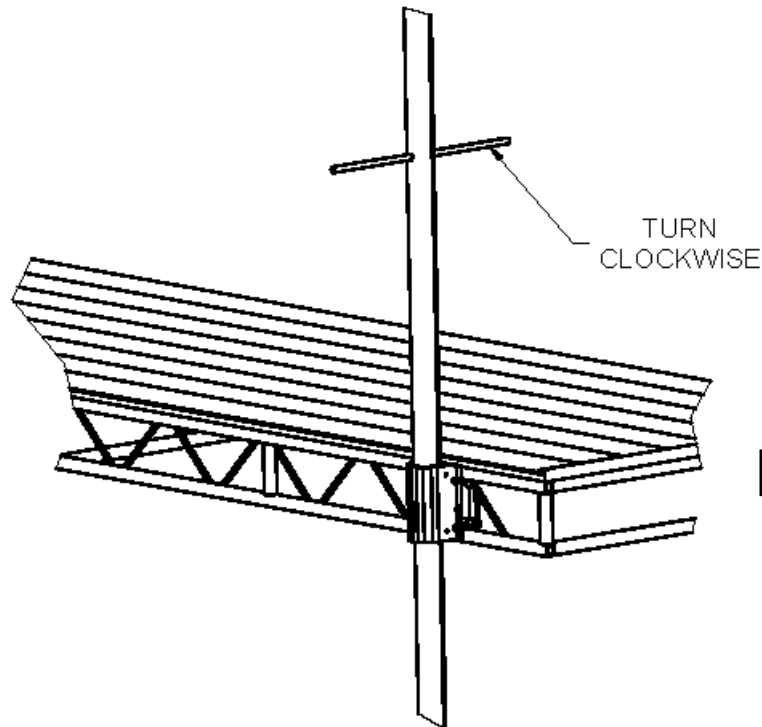


Fig. 4

STEP 5

- Attach the flag of choice to the two spring clips and carefully, in a hand over hand motion, raise the inner pole up until the index hole is visible.
- Tighten the knob bolt. (Shown in Fig. 5)

WARNING: DO NOT OVER EXTEND. Over extension will cause the poles to separate!

- To lower the flag pole, loosen the knob bolt while firmly grasping the upper pole.
- Once the knob bolt is loose, carefully allow the inner pole to slide down.

WARNING: BE VERY CAREFUL, PINCH POINT!

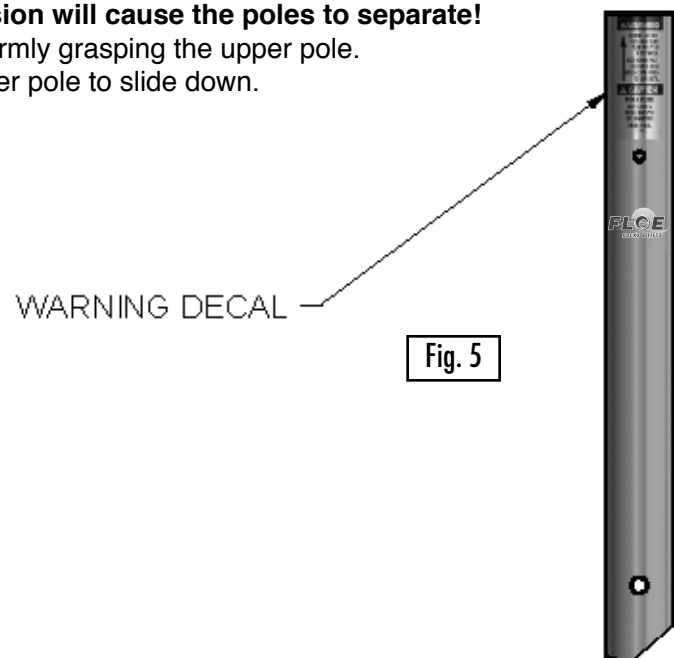


Fig. 5

