

FLOE FLOATING DOCK HAMMOCK STAND

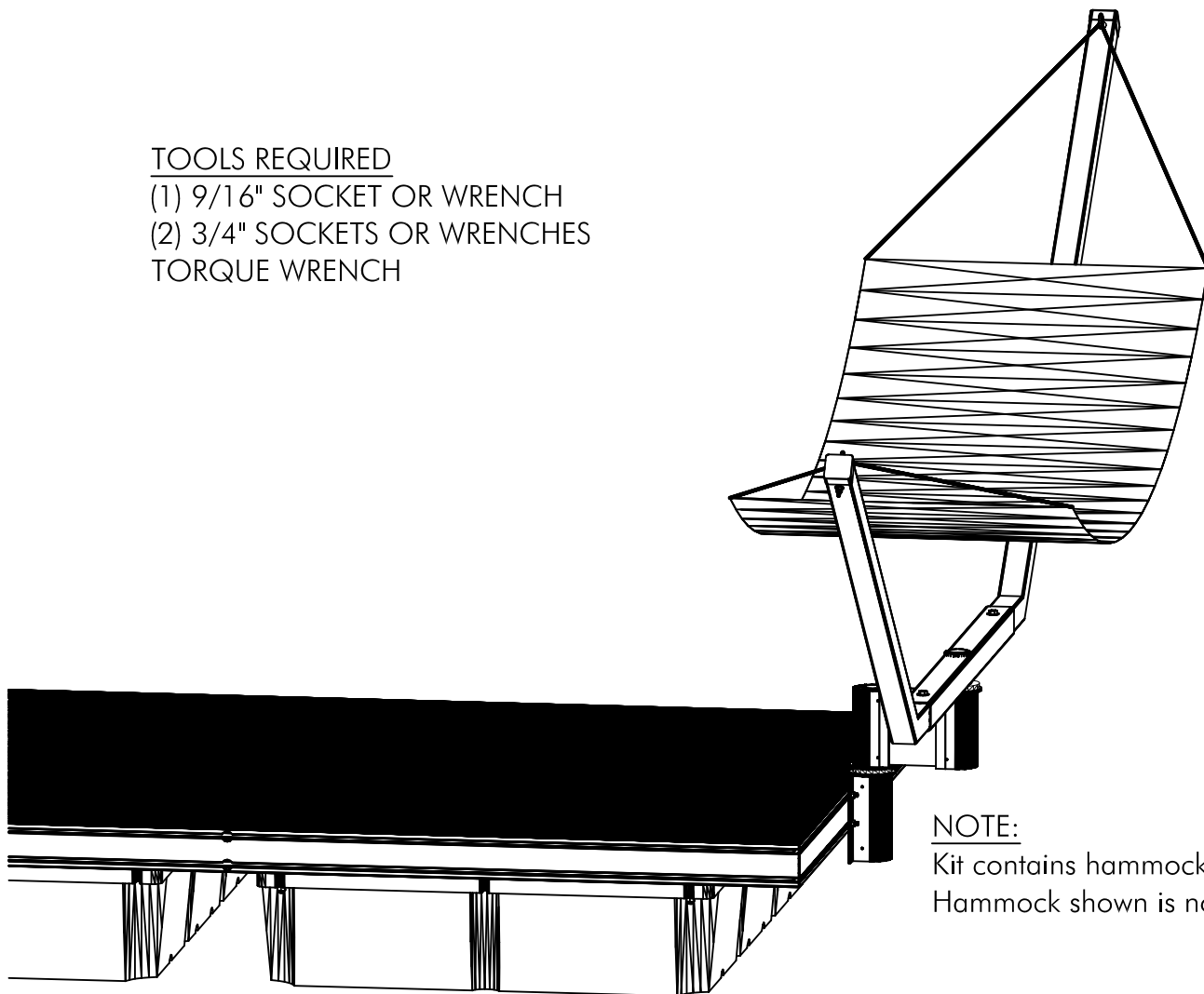
P/N 510-00100-00

ASSEMBLY INSTRUCTIONS



TOOLS REQUIRED

- (1) 9/16" SOCKET OR WRENCH
- (2) 3/4" SOCKETS OR WRENCHES
- TORQUE WRENCH

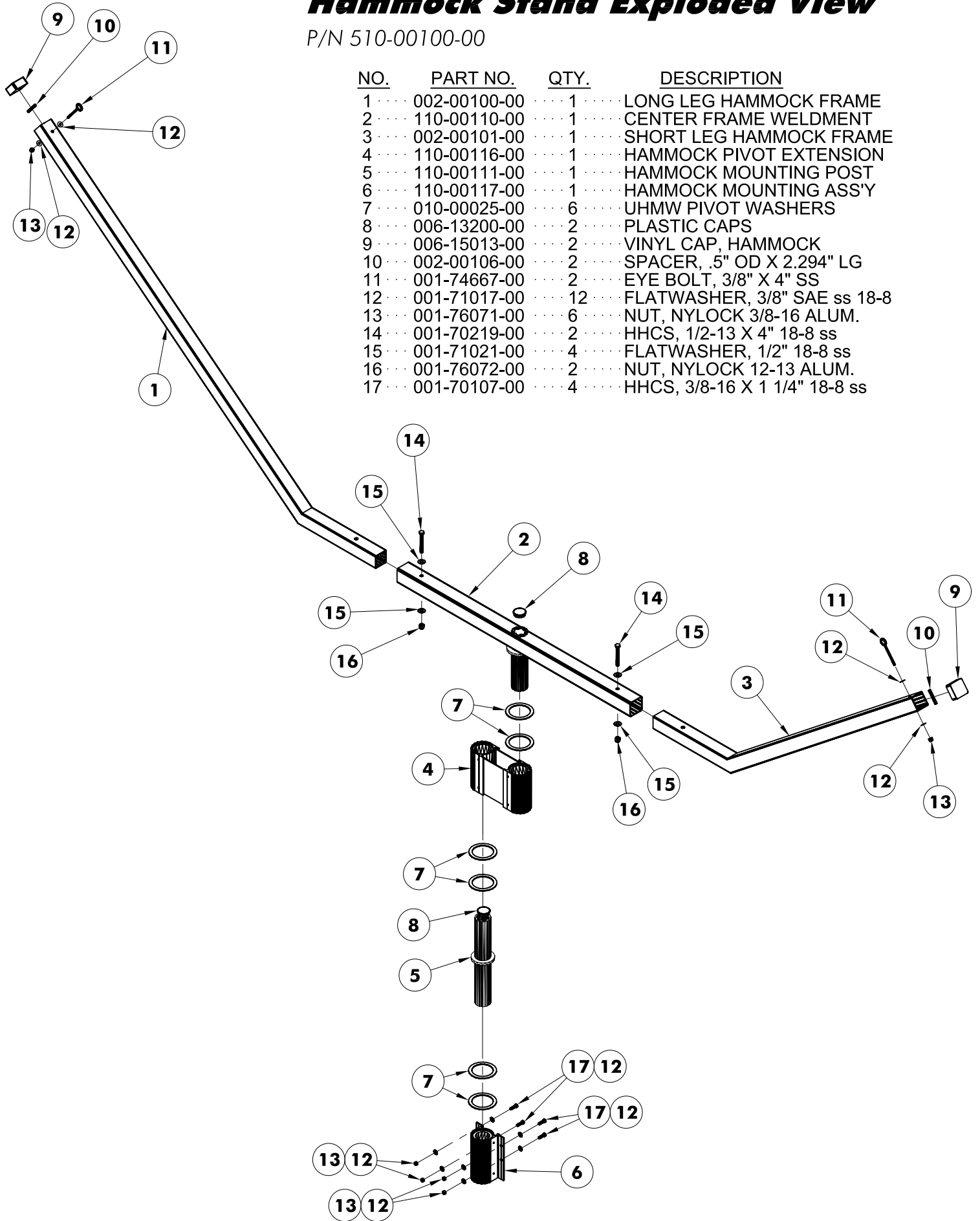


NOTE:

Kit contains hammock frame only.
Hammock shown is not included.

Hammock Stand Exploded View

P/N 510-00100-00



NO.	PART NO.	QTY.	DESCRIPTION
1	002-00100-00	1	LONG LEG HAMMOCK FRAME
2	110-00110-00	1	CENTER FRAME WELDMENT
3	002-00101-00	1	SHORT LEG HAMMOCK FRAME
4	110-00116-00	1	HAMMOCK PIVOT EXTENSION
5	110-00111-00	1	HAMMOCK MOUNTING POST
6	110-00117-00	1	HAMMOCK MOUNTING ASS'Y
7	010-00025-00	6	UHMW PIVOT WASHERS
8	006-13200-00	2	PLASTIC CAPS
9	006-15013-00	2	VINYL CAP, HAMMOCK
10	002-00106-00	2	SPACER, .5" OD X 2.294" LG
11	001-74667-00	2	EYE BOLT, 3/8" X 4" SS
12	001-71017-00	12	FLATWASHER, 3/8" SAE ss 18-8
13	001-76071-00	6	NUT, NYLOCK 3/8-16 ALUM.
14	001-70219-00	2	HHCS, 1/2-13 X 4" 18-8 ss
15	001-71021-00	4	FLATWASHER, 1/2" 18-8 ss
16	001-76072-00	2	NUT, NYLOCK 12-13 ALUM.
17	001-70107-00	4	HHCS, 3/8-16 X 1 1/4" 18-8 ss

Step 1

- Insert (2) 3/8" x 1 1/4" bolts w/ flat washers into upper nut tracks. Repeat procedure with the lower nut track As shown in Fig. 1
- Slide bolts with flatwashers to desired location. Put hammock mounting assembly over bolts and install flatwashers and nylock nuts. As shown in Fig. 1
- Slide assembly to desired location. Torque nylock nuts to 30 ft/lbs. As shown in Fig. 1

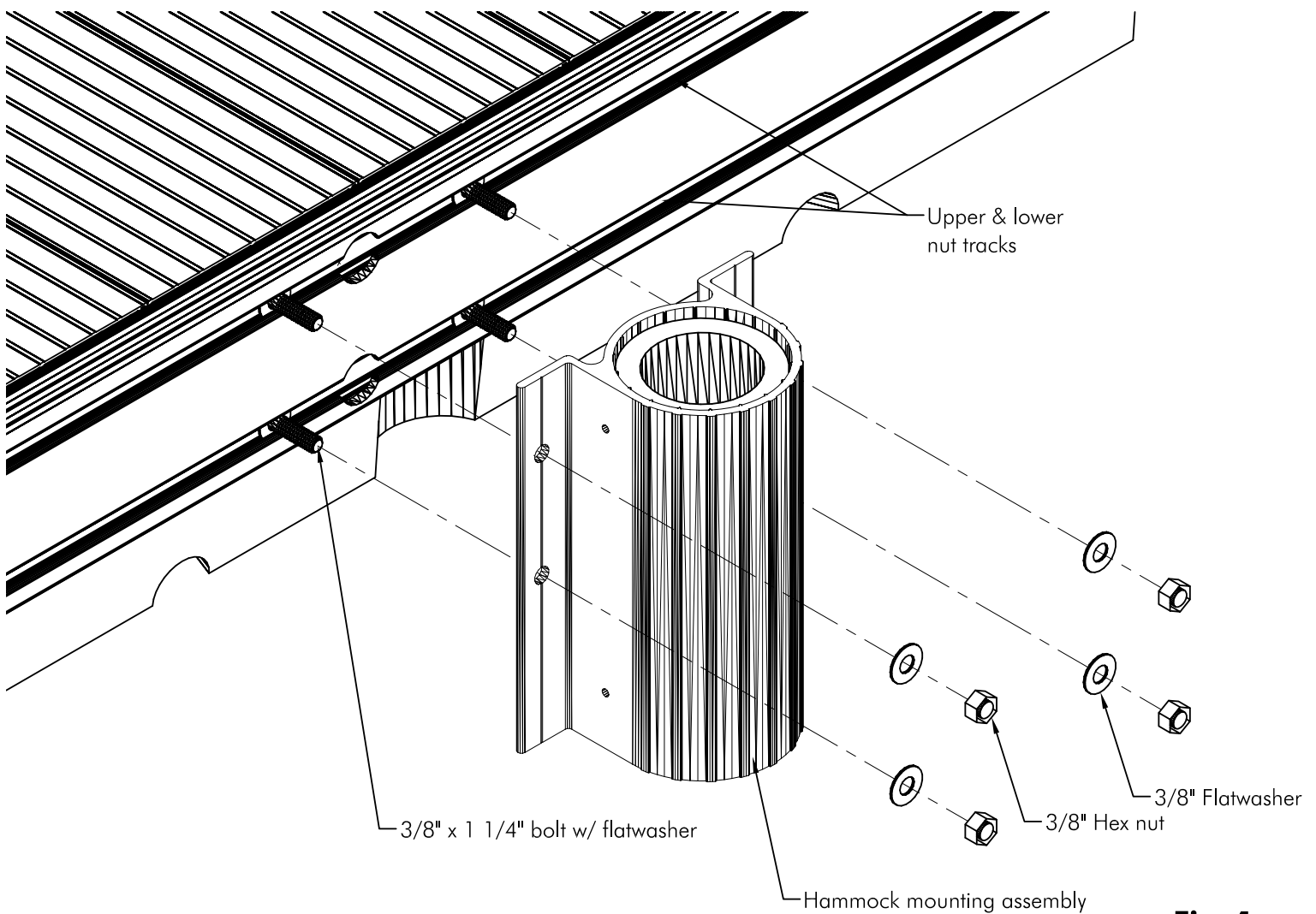


Fig. 1

Step 2

- Insert 15 1/4" long end of the hammock mounting post thru (2) UHMW pivot washers, and into hammock mounting assembly. See Fig. 2
- Slide (2) UHMW pivot washers over hammock mounting post along with hammock pivot extension. See Fig. 2
- Put together hammock frame by inserting the long and short legs into the center frame weldment. Attach with (2) 1/2" x 4" bolts w/ (4) flatwashers and (2) 1/2" nylock nuts. Insert the (2) 3/8" X 4" eyebolts w/ (4) flatwashers, (2) spacers and 3/8" nylock nuts. Slide the vinyl caps on the ends of the hammock frame. See Fig. 2
- Insert the hammock frame post thru (2) UHMW pivot washers and into the remaining hole in the hammock pivot extension. See Fig. 2
- Slide the (2) plastic caps into the openings in the center frame weldment post and the hammock mounting post. See Fig. 2

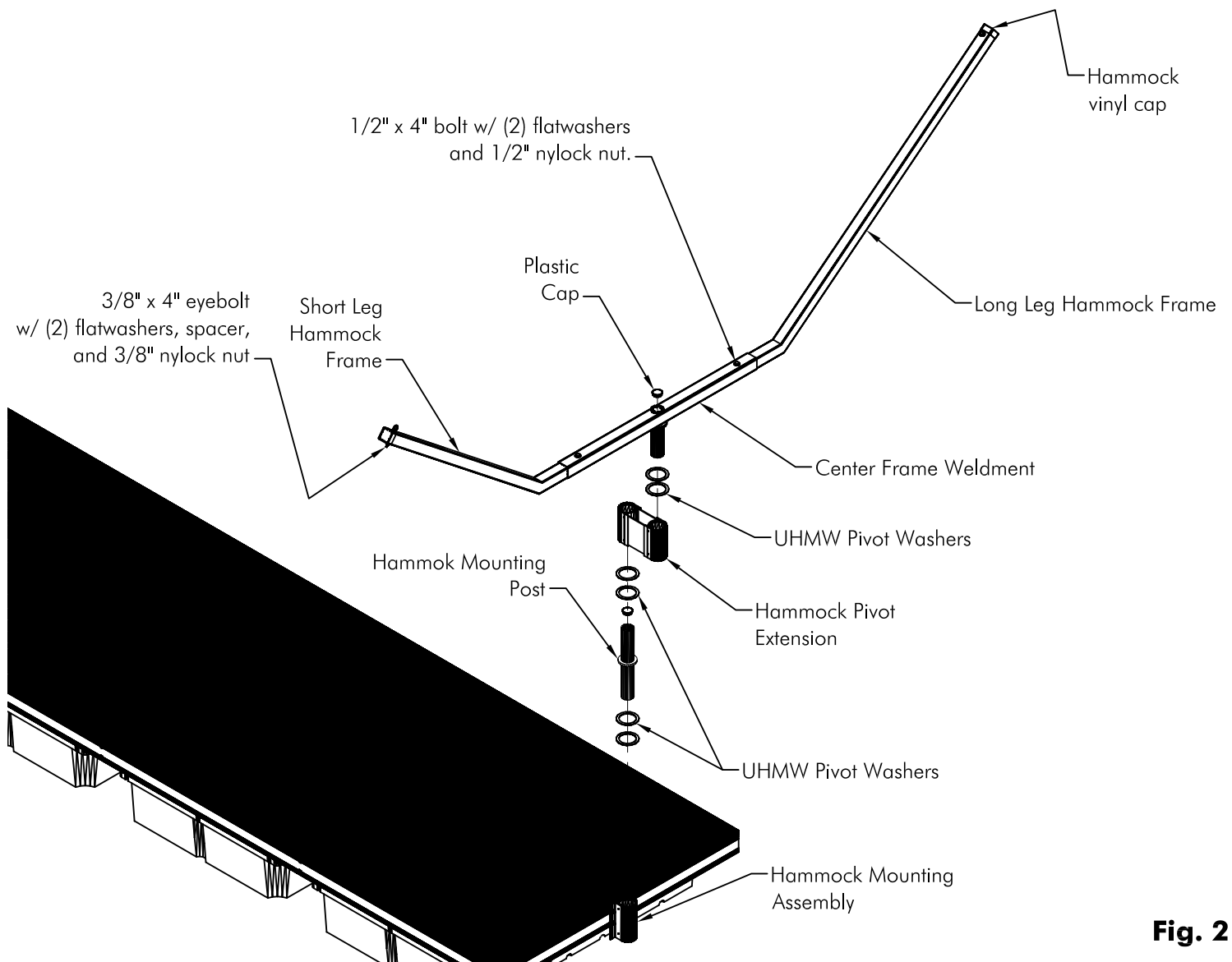


Fig. 2